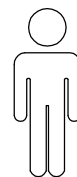
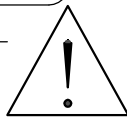
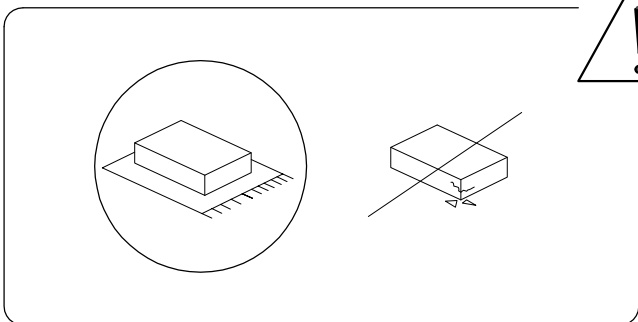


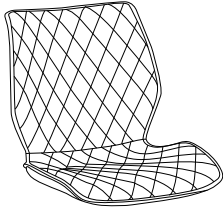
30'



1

1/3

A



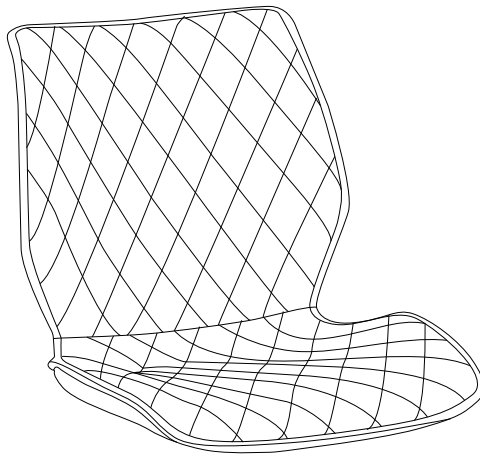
x 1

B

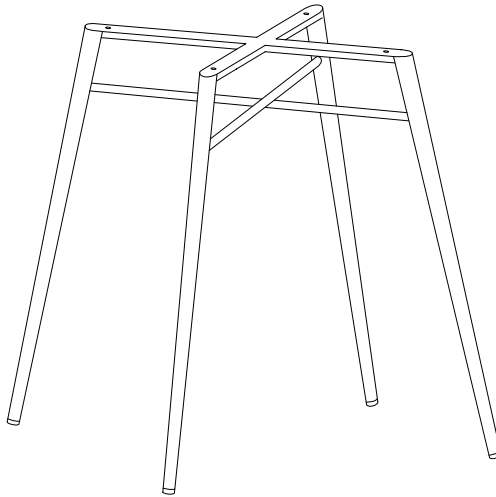


x 1

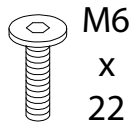
A



B



C



**M6
x
22**

x 4

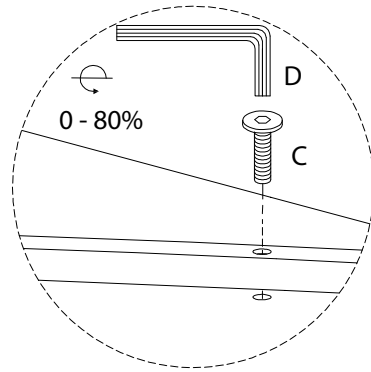
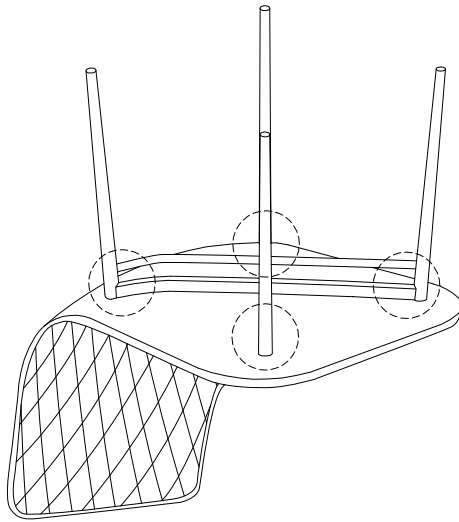
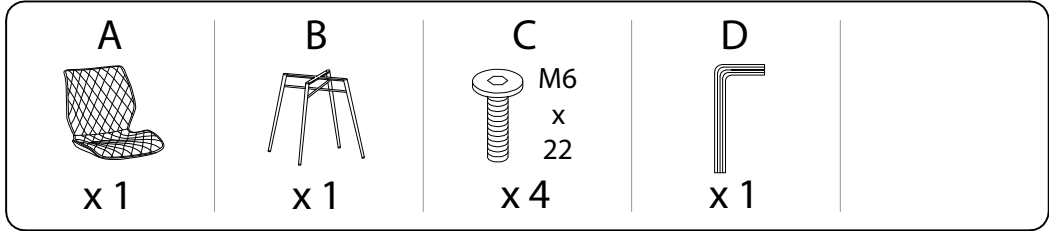
D



M6

x 1

1



2

