
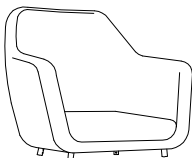




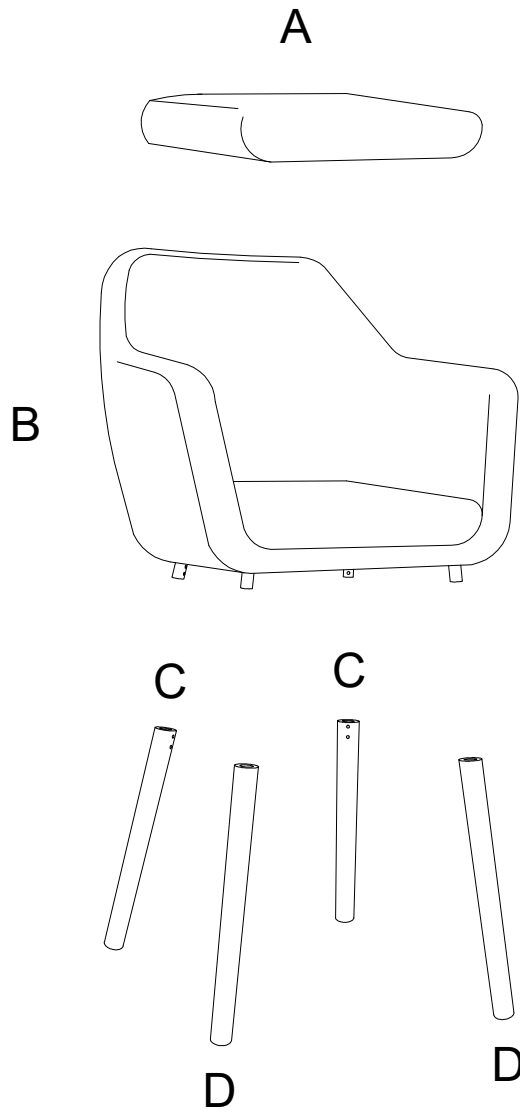
An L-shaped metal bracket is shown inside a circle. To its right is a power drill with a diagonal line through it, indicating it should not be used.	A warning triangle containing an exclamation mark.	A simple clock face showing approximately 1:50.
A rectangular block is shown on a surface with a hatched pattern. To its right is the same block with a screw being inserted into it, crossed out with a diagonal line.	A warning triangle containing an exclamation mark.	A simple stick figure representing a person.

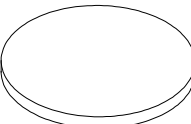
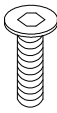
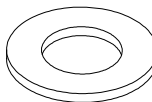
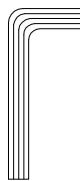
20'

1

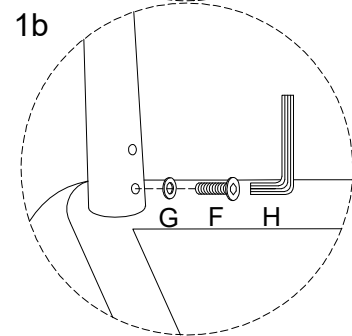
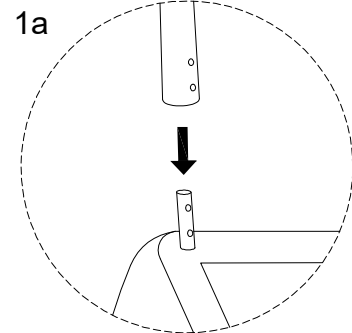
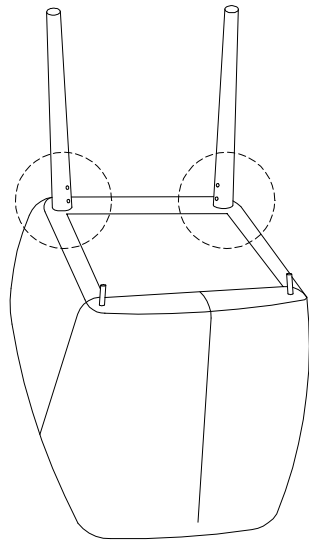
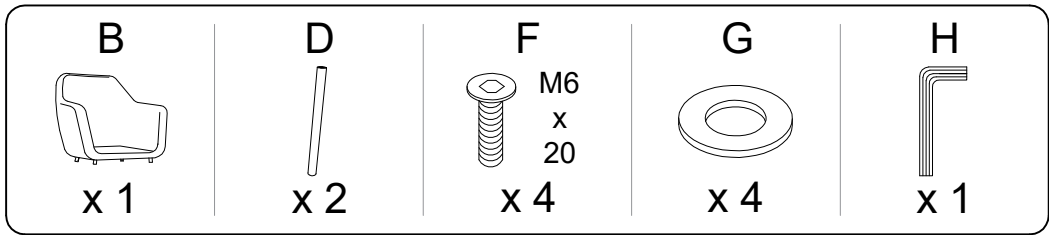
1/4

<p><b>A</b></p>  <p><b>x 1</b></p>	<p><b>B</b></p>  <p><b>x 1</b></p>	<p><b>C</b></p>  <p><b>x 2</b></p>	<p><b>D</b></p>  <p><b>x 2</b></p>
---	---	---	---

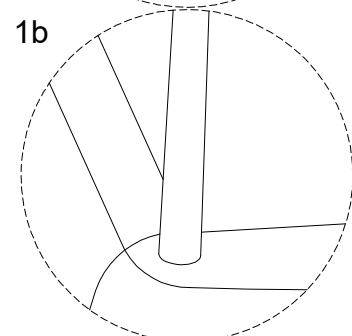
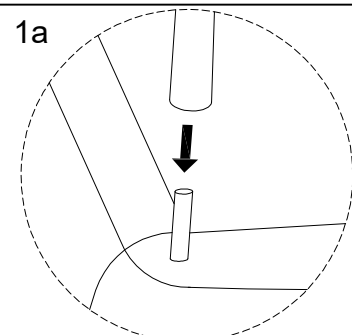
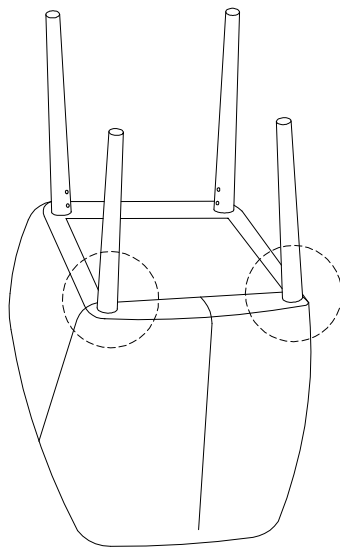
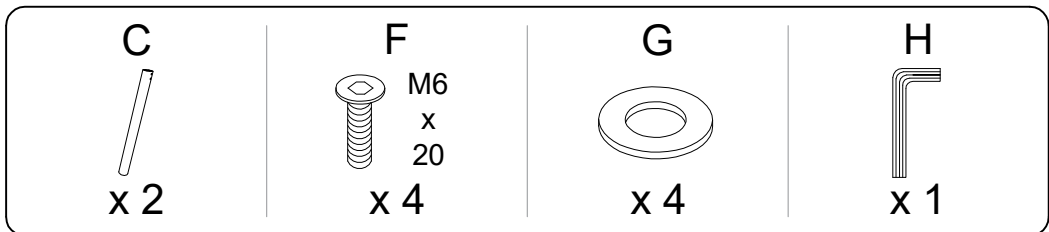


<p><b>E</b></p>  <p><b>x 4</b></p>	<p><b>F</b></p>  <p>M6 x 20</p> <p><b>x 8</b></p>	<p><b>G</b></p>  <p><b>x 8</b></p>	<p><b>H</b></p>  <p><b>x 1</b></p>
---	--	--	---

1

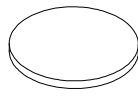


2

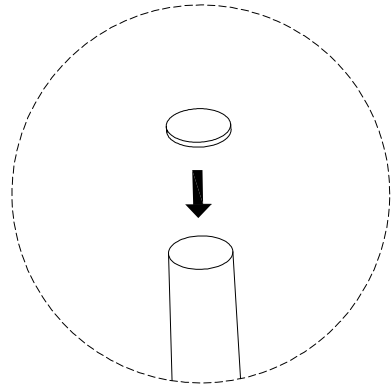
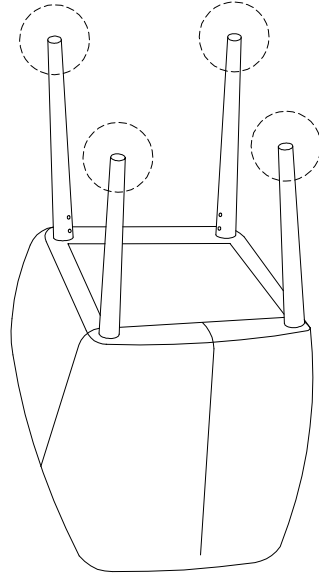


3

E



x 4



4

A



x 1

