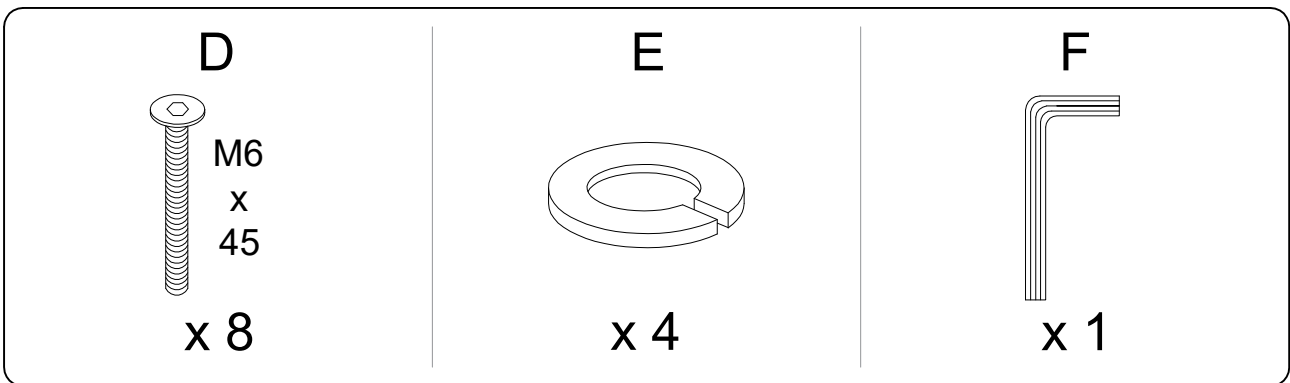
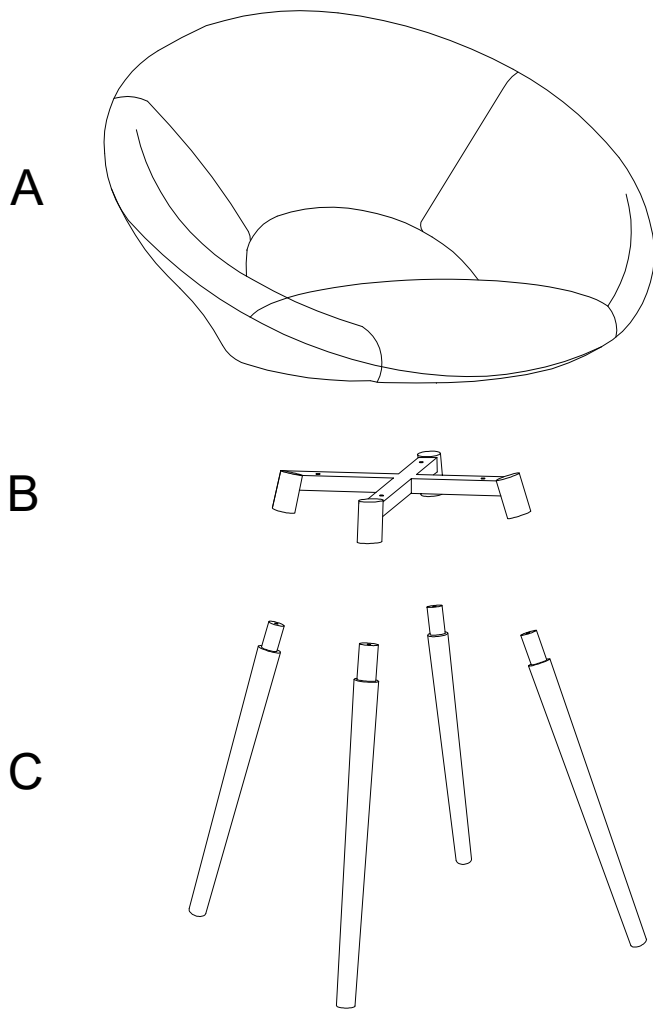
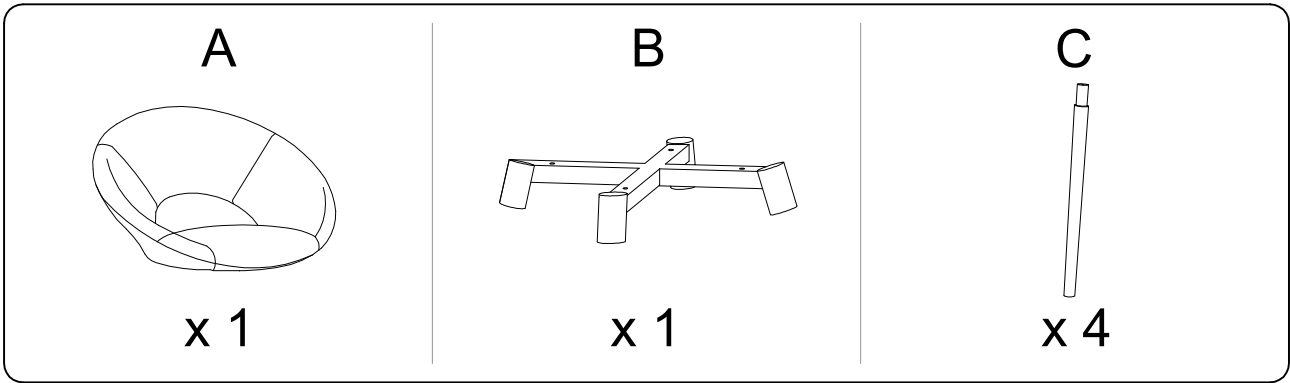




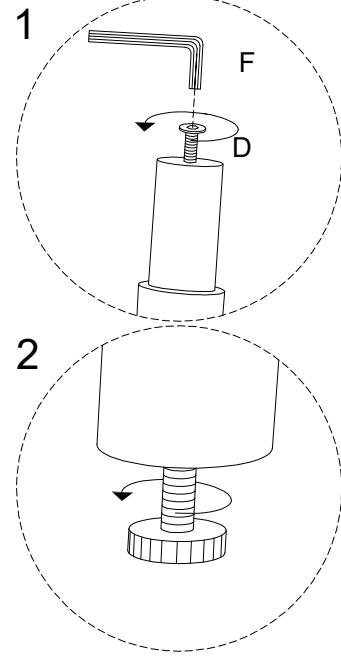
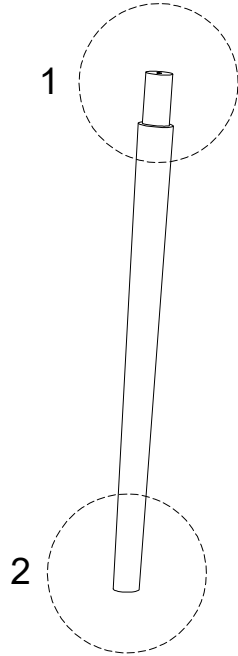
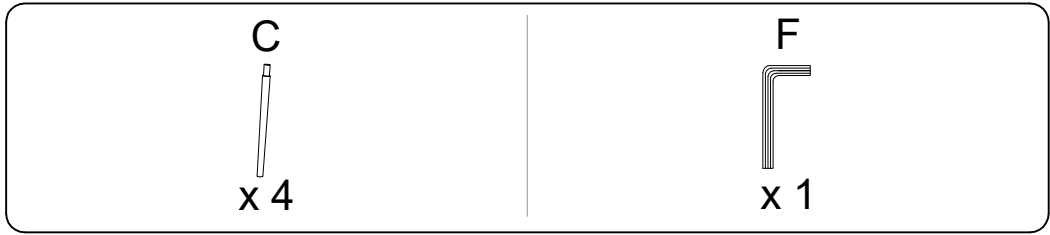
Diagram illustrating assembly steps and safety warnings:

- Step 1:** Shows an L-shaped corner bracket being inserted into a hole in a wooden surface. A power drill is shown with a slash through it, indicating it should not be used on this part. A warning triangle with an exclamation mark is positioned to the right.
- Step 2:** Shows a rectangular block being placed on a surface. A power drill is shown with a slash through it, indicating it should not be used on this part. A warning triangle with an exclamation mark is positioned to the right.
- Time:** A clock icon is shown next to the text "20'", indicating a 20-minute assembly time.
- Person:** A stick figure icon is shown next to the number "1", indicating that one person is required for assembly.

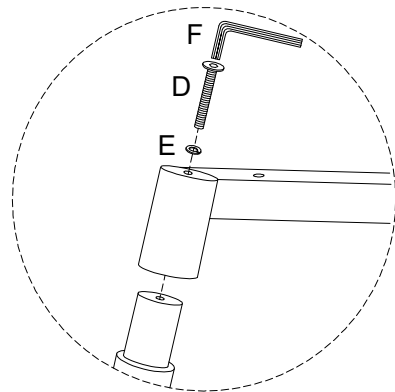
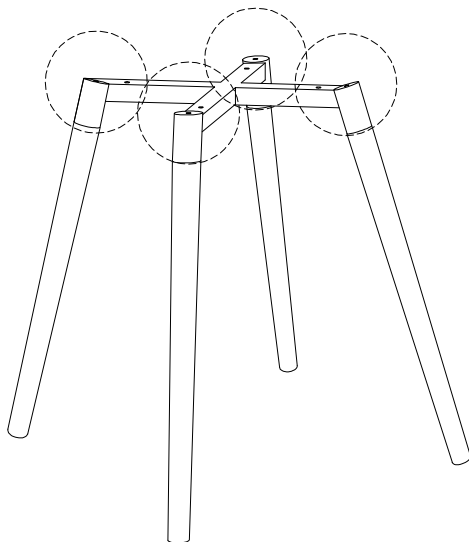
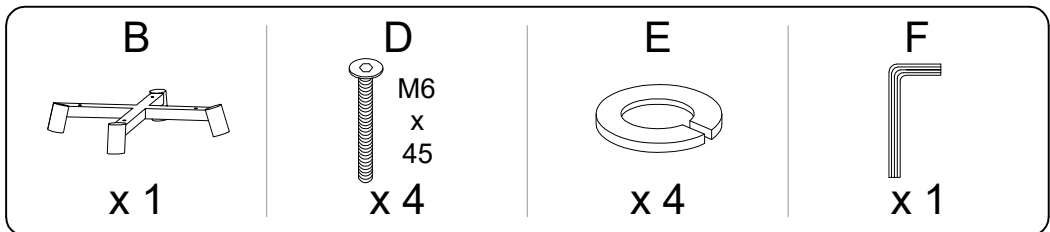
1/4



1



2



3

