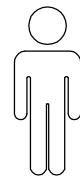
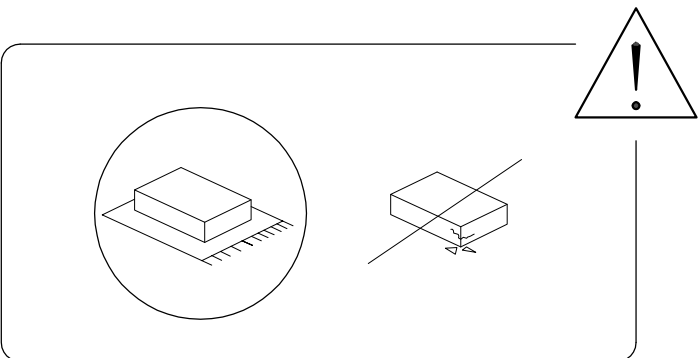
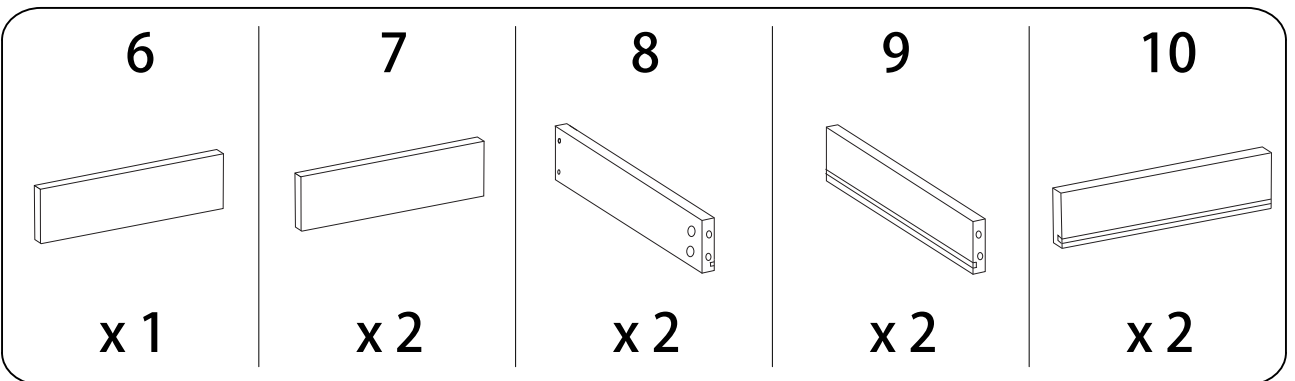
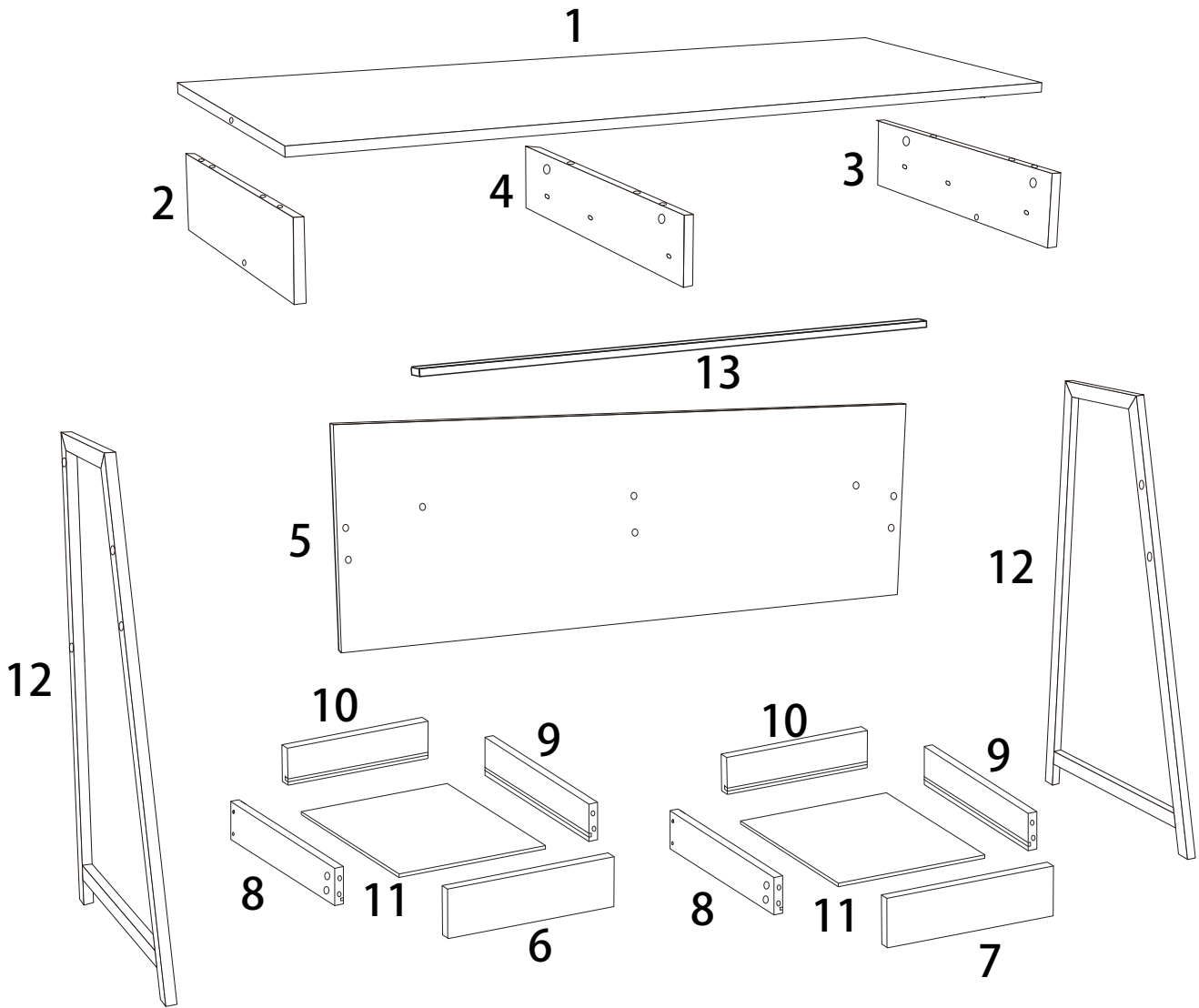
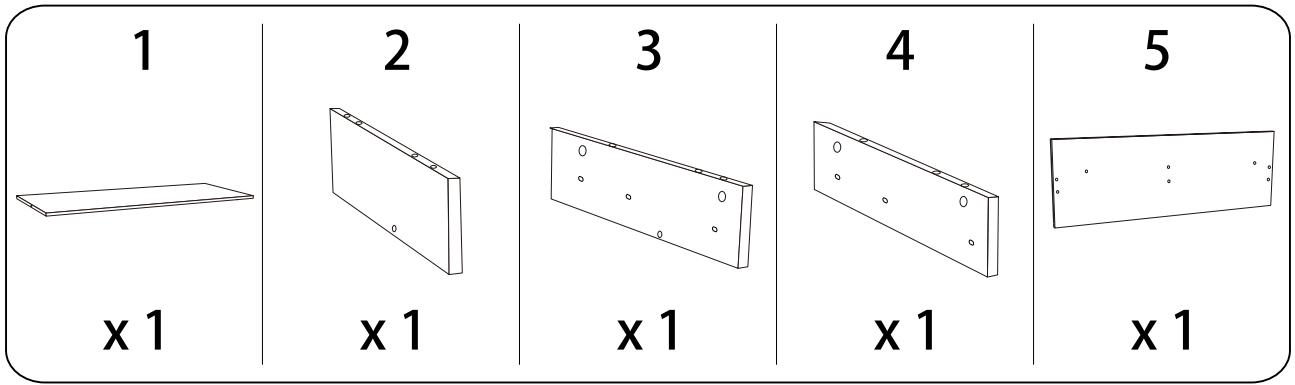


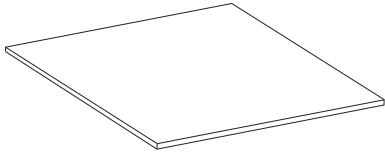
50'



1



11



x 2

12



x 2

13



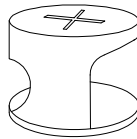
x 1

A1



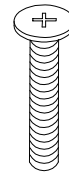
x 14

A2



x 14

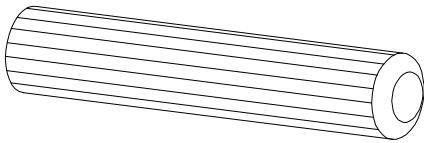
B



M6
x
50

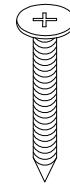
x 2

C



x 6

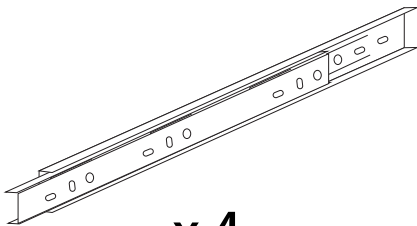
D



M5
x
50

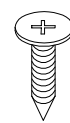
x 23

E



x 4

F



M3.5
x
12

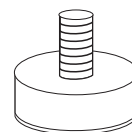
x 16

G



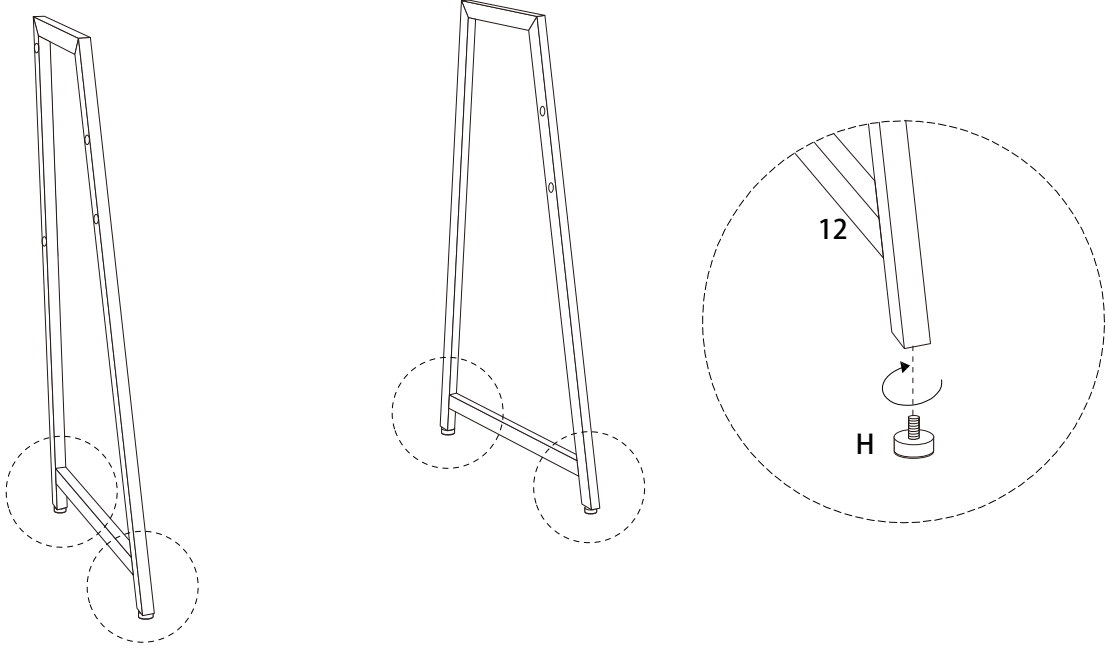
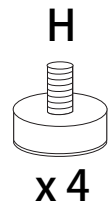
x 1

H

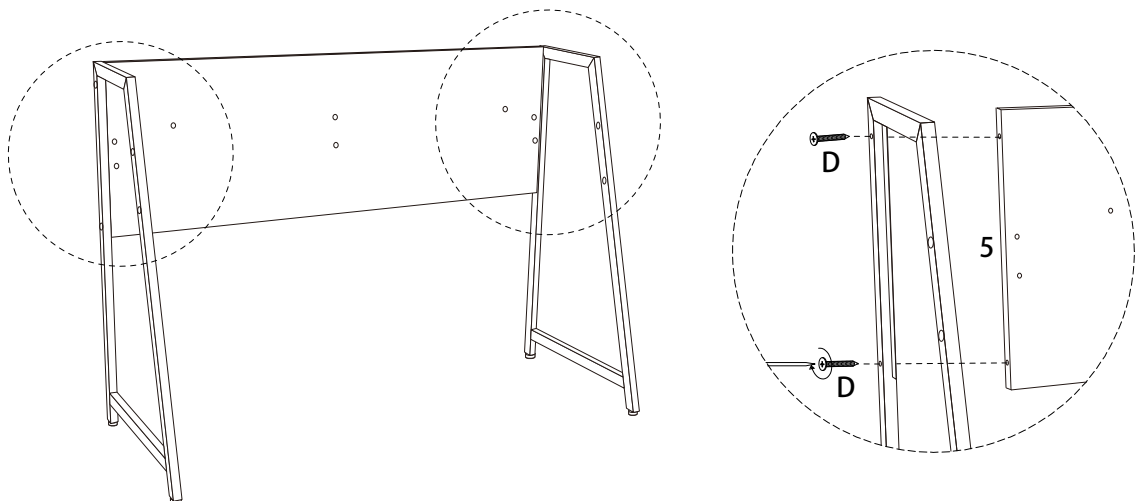
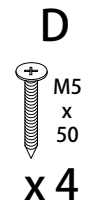
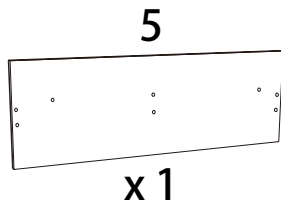


x 4

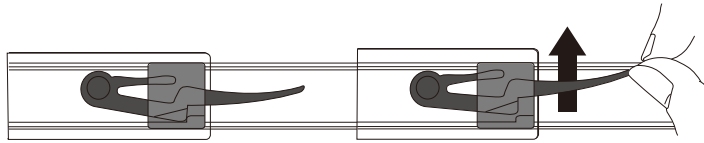
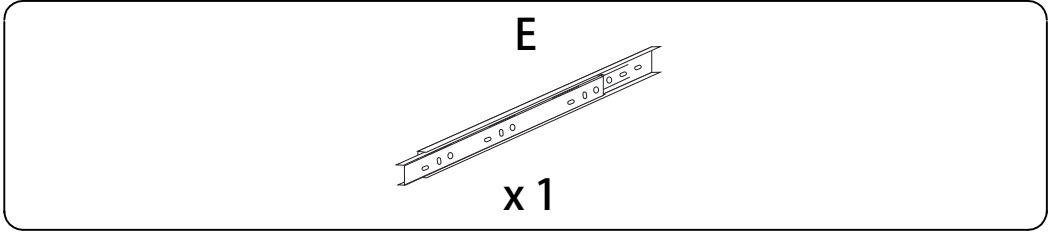
1



2



3 x 4



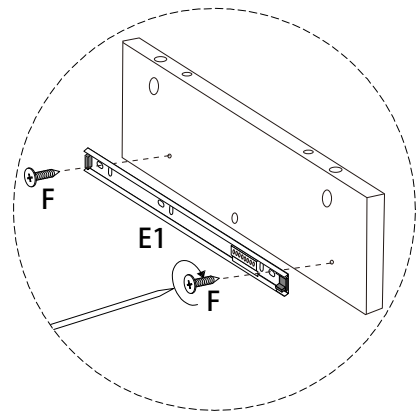
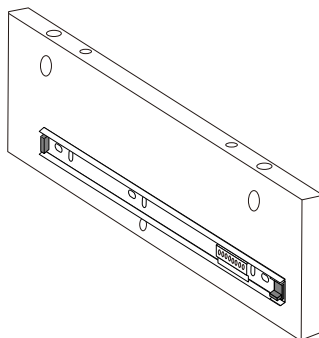
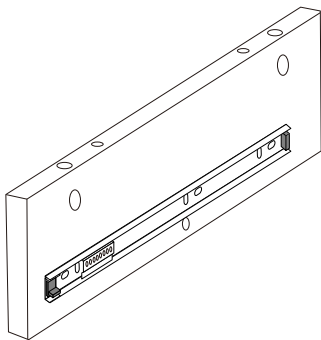
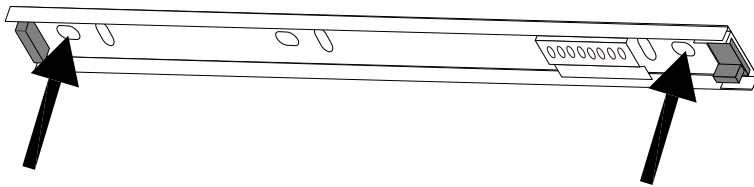
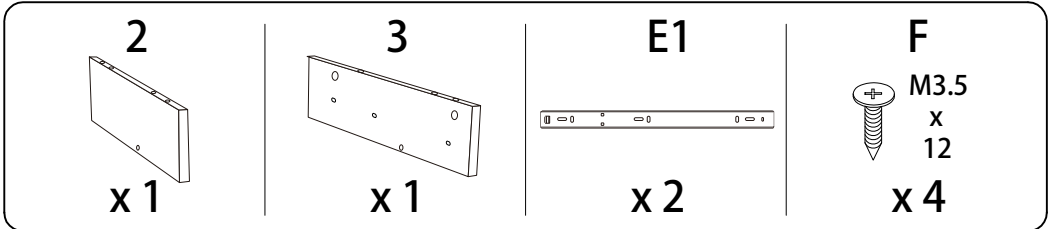
E1



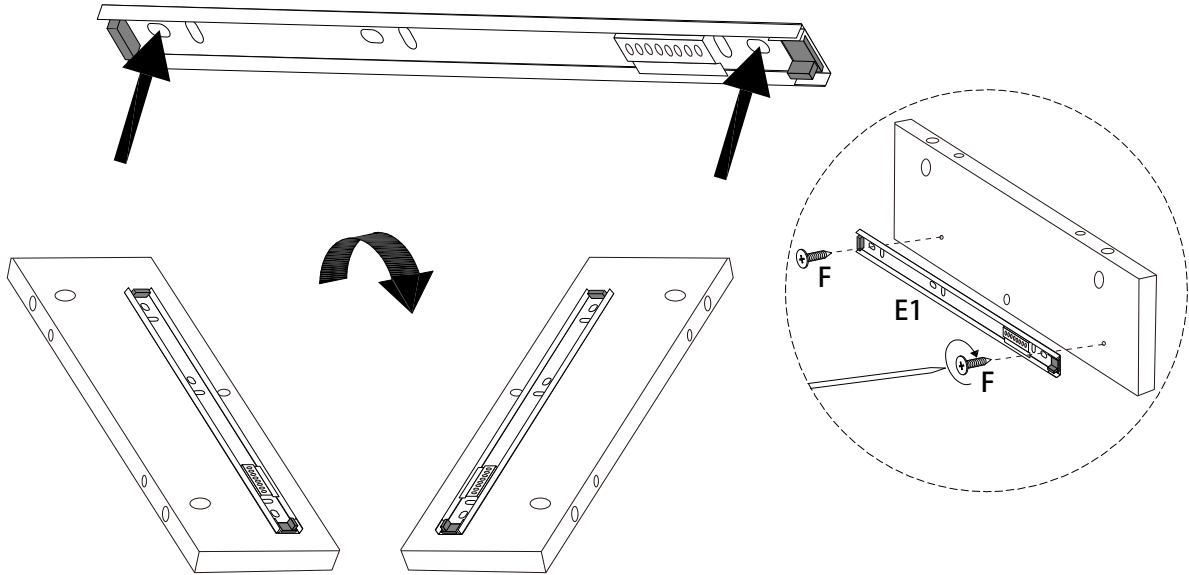
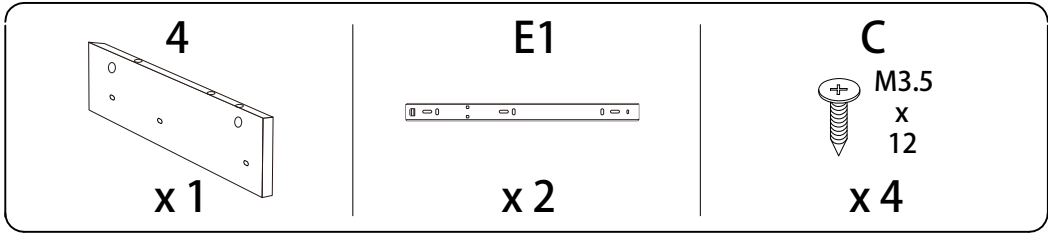
E2



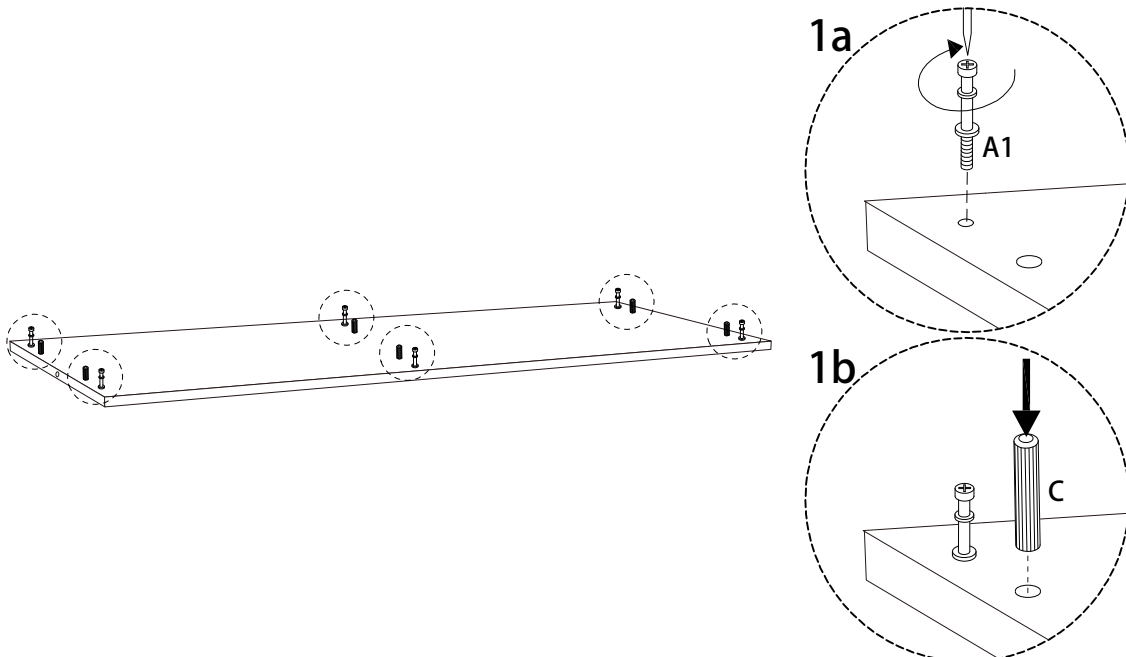
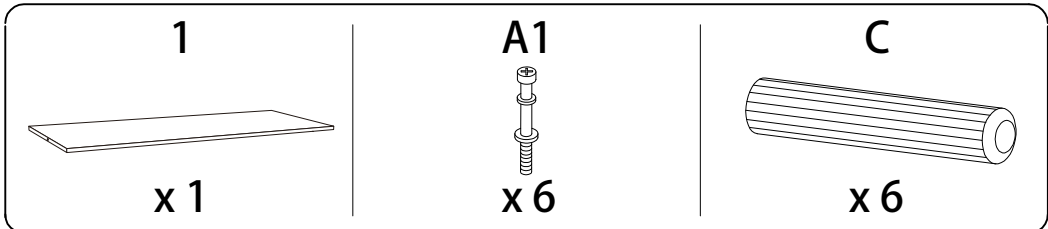
4



5

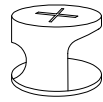


6

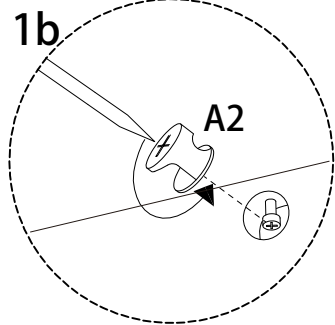
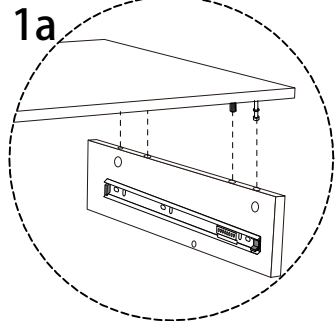
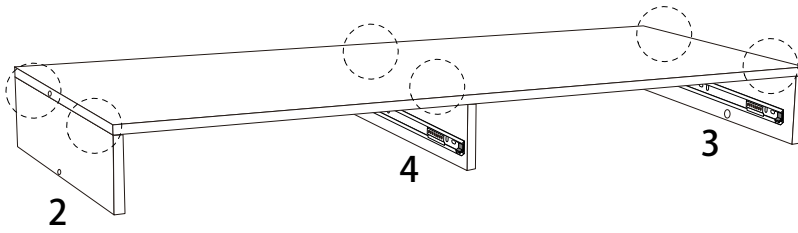


7

A2

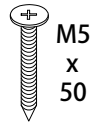


x 6

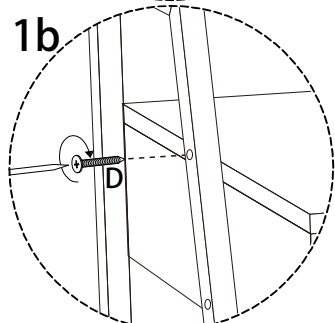
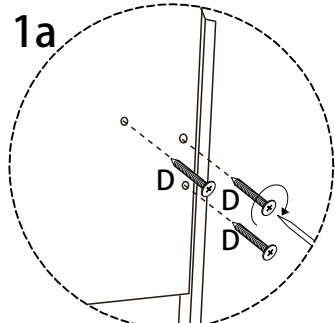
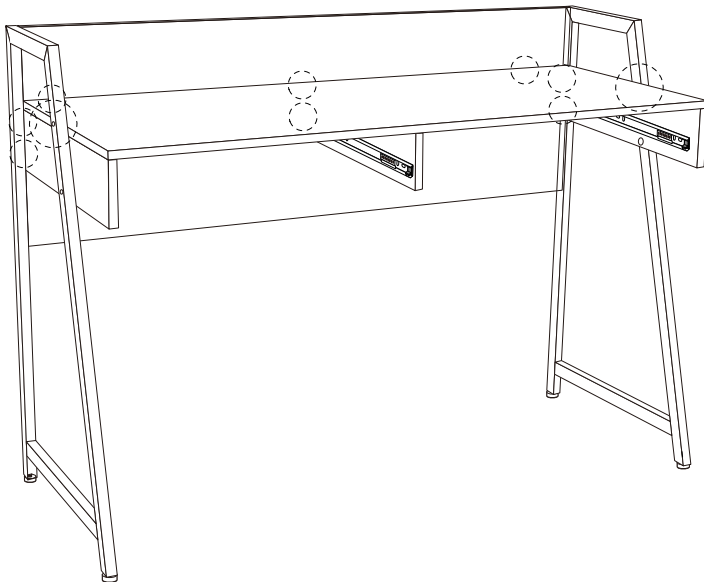


8



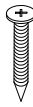
D

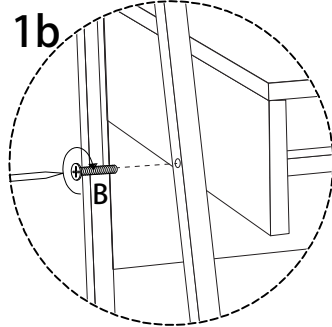
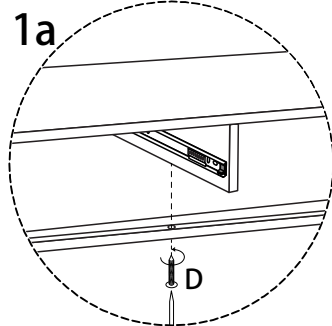
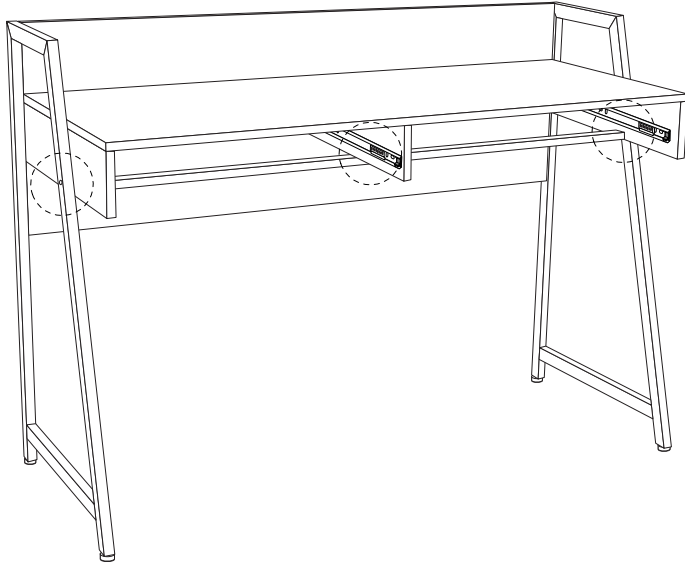


M5
x
50
x 10

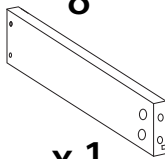
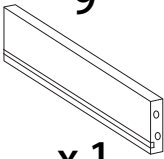
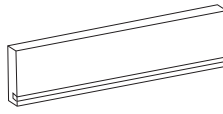
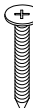


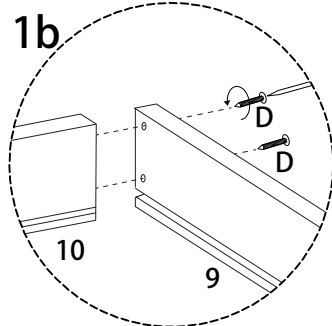
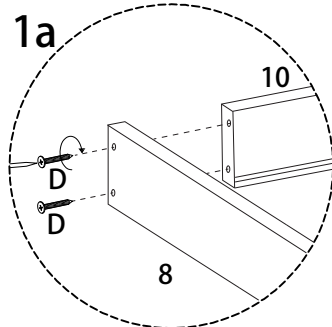
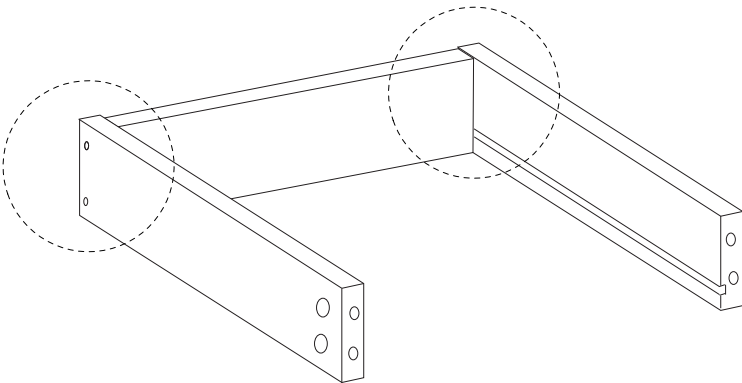
9

13  x 1	B  M6 x 50 x 2	D  M5 x 50 x 1
--	---	---

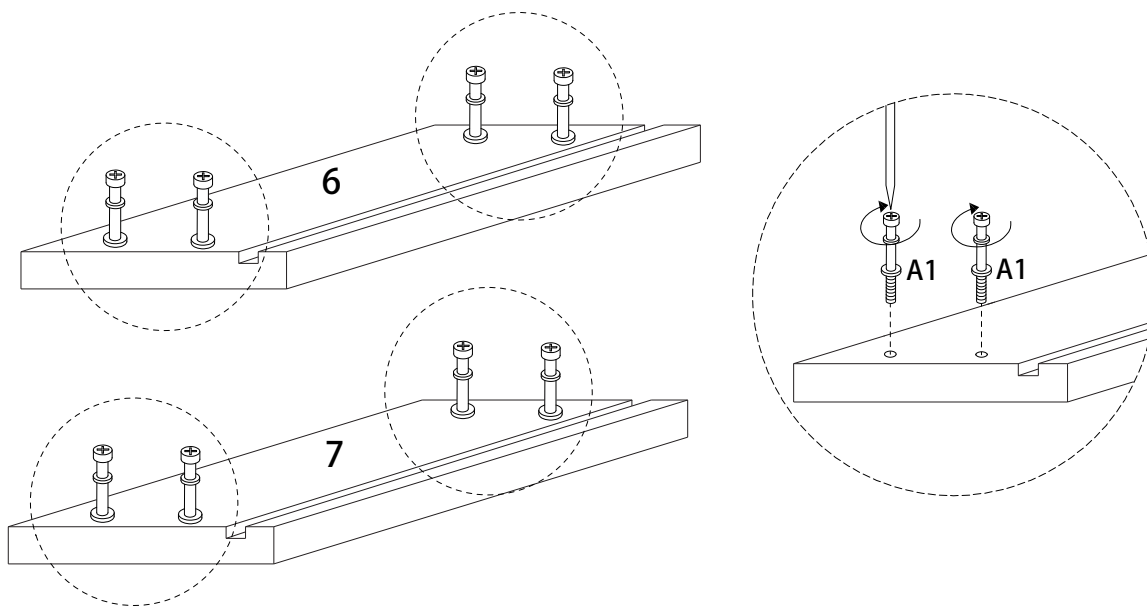
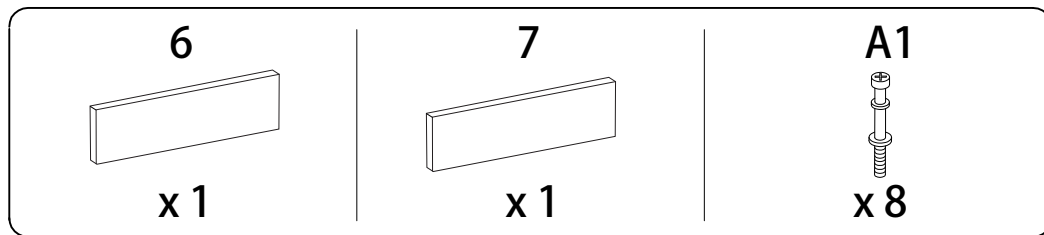


10 x 2

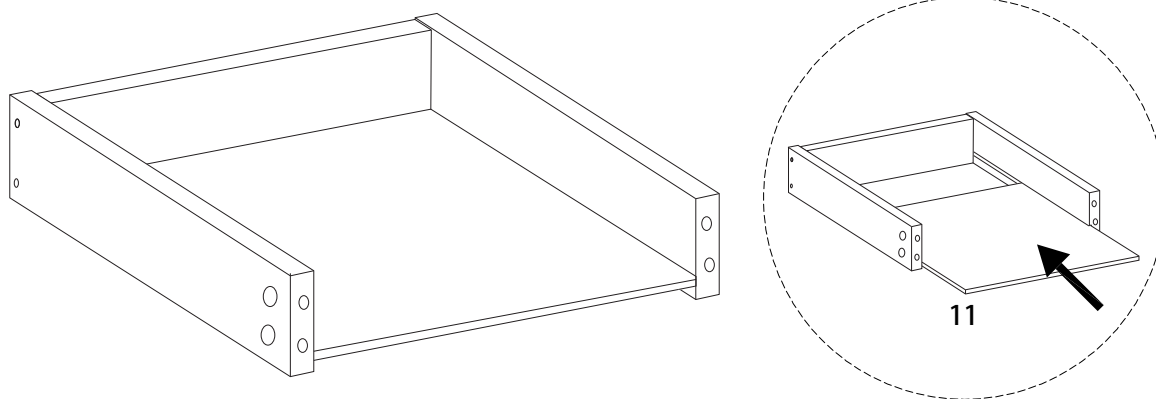
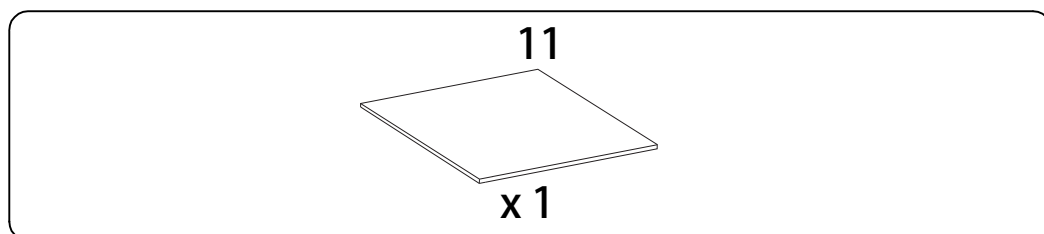
8  x 1	9  x 1	10  x 1	D  M5 x 50 x 4
---	---	---	---



11



12 x2

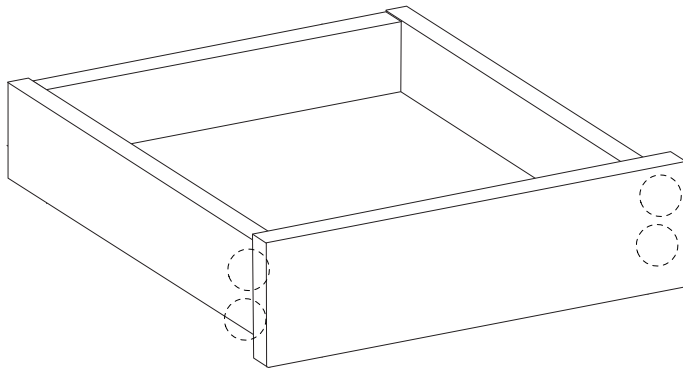


13

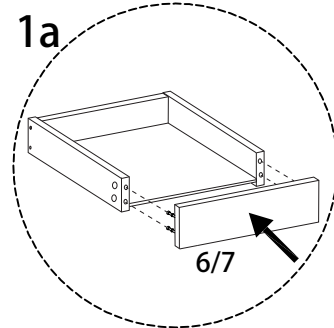
A2



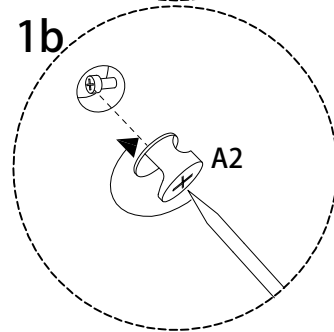
x 4



1a

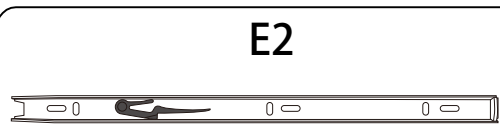


1b



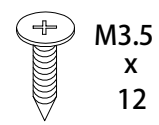
14 x 2

E2



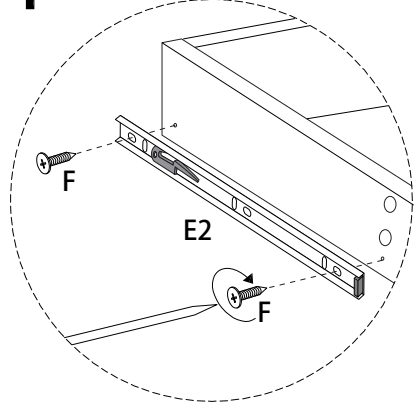
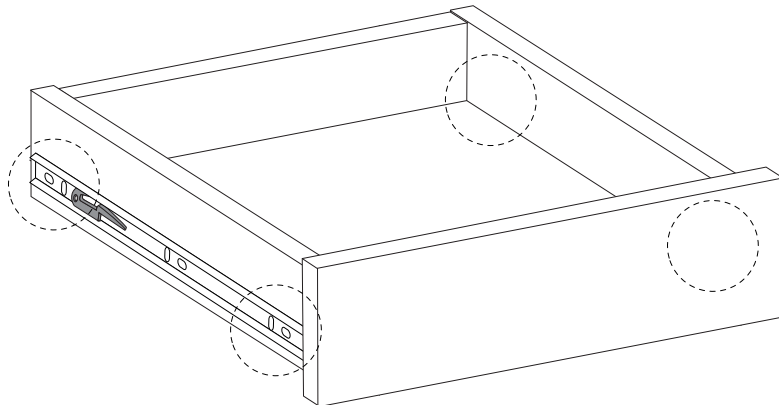
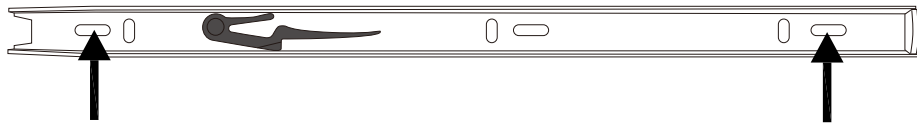
x 2

F

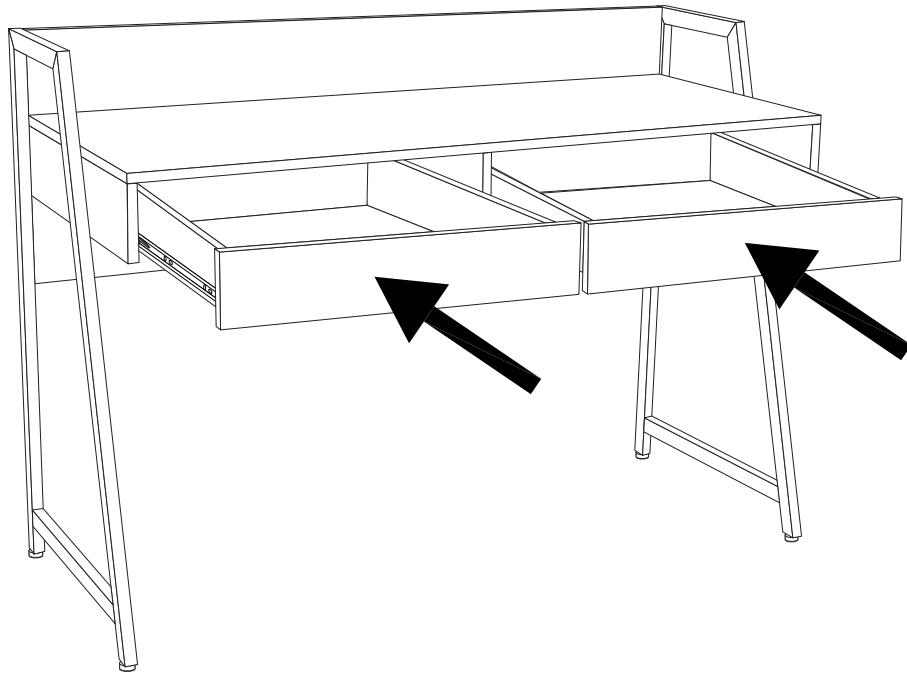


M3.5
x
12

x 4



15



16

