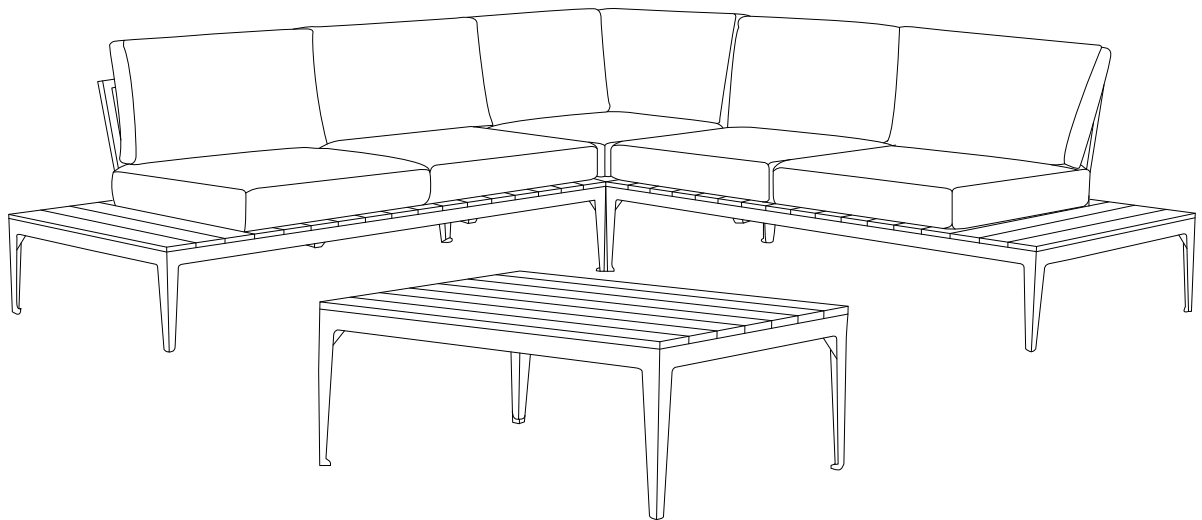
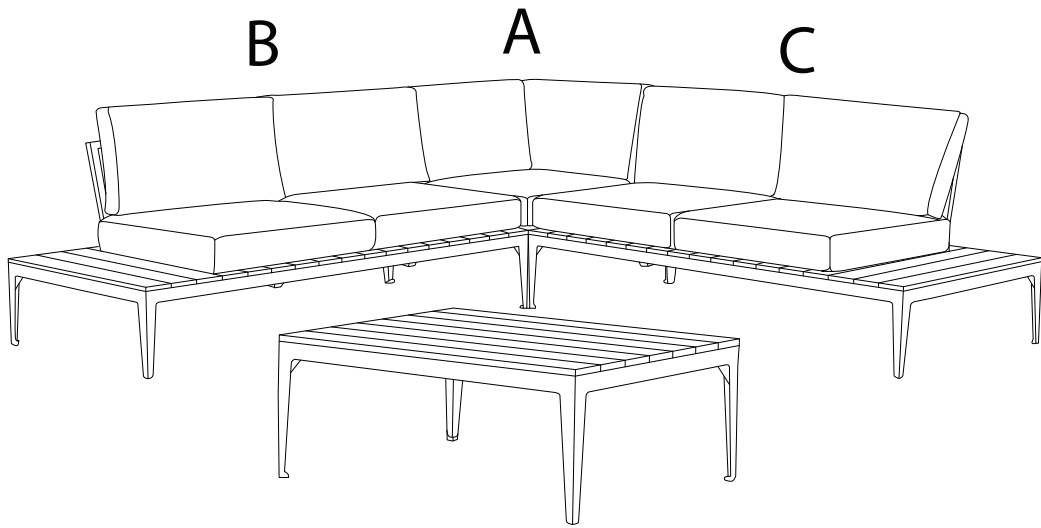


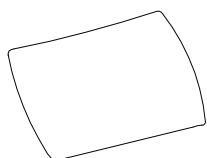

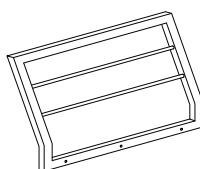
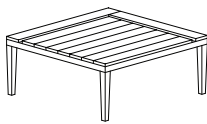
POSITANO

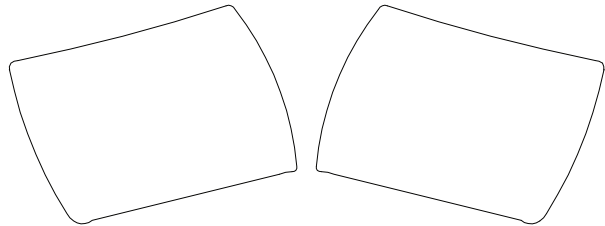




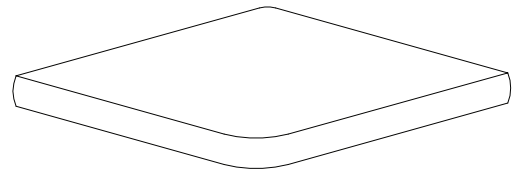
<p>30'</p>		
<p>2</p>		

A

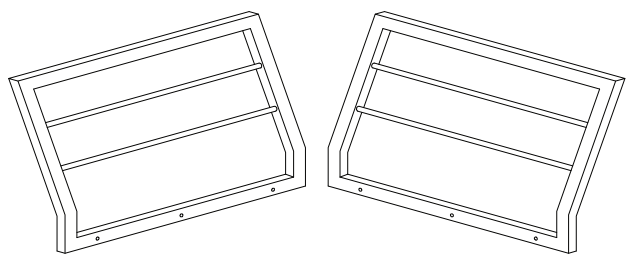
<p>A</p>  <p>x2</p>	<p>B</p>  <p>x1</p>	<p>C</p>  <p>x2</p>	<p>D</p>  <p>x1</p>
--	--	---	--



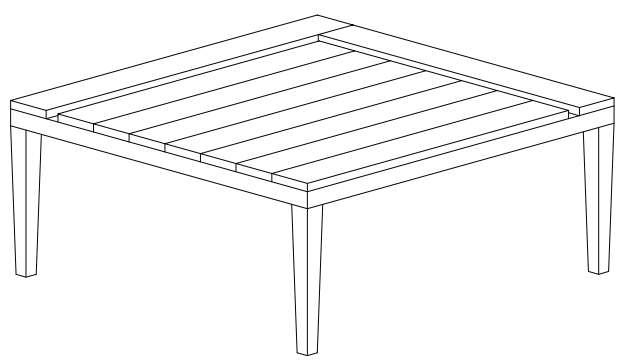
A x 2



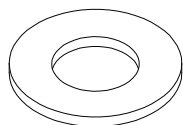
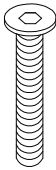
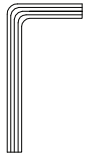
B



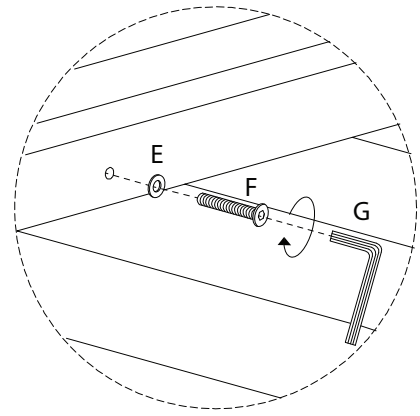
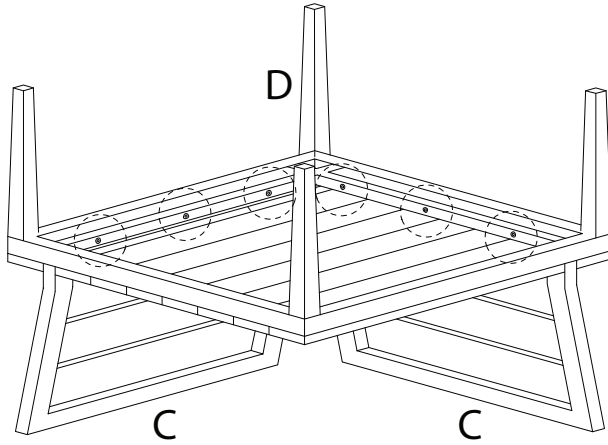
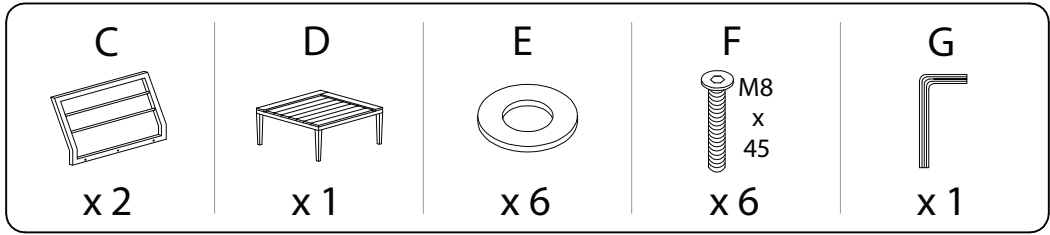
C x 2



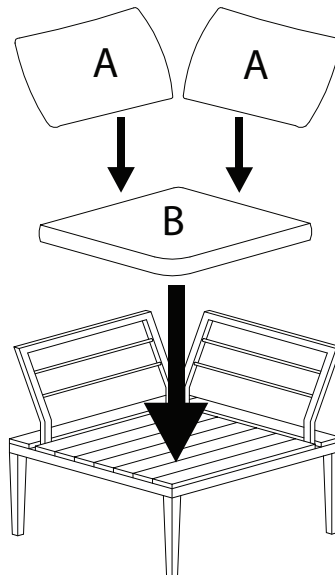
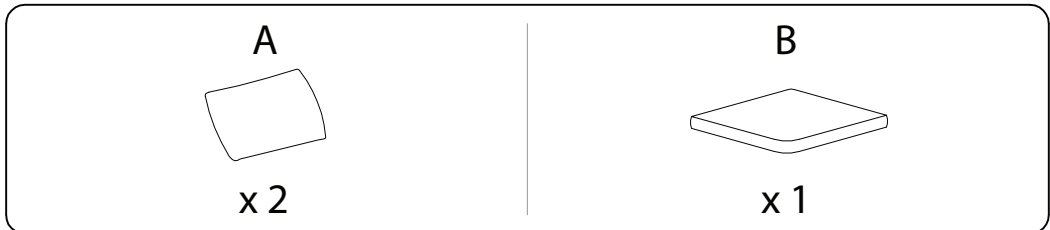
D

<p>E</p>  <p>x4</p>	<p>F</p>  <p>M8 x 45</p> <p>x4</p>	<p>G</p>  <p>x1</p>
--	---	--

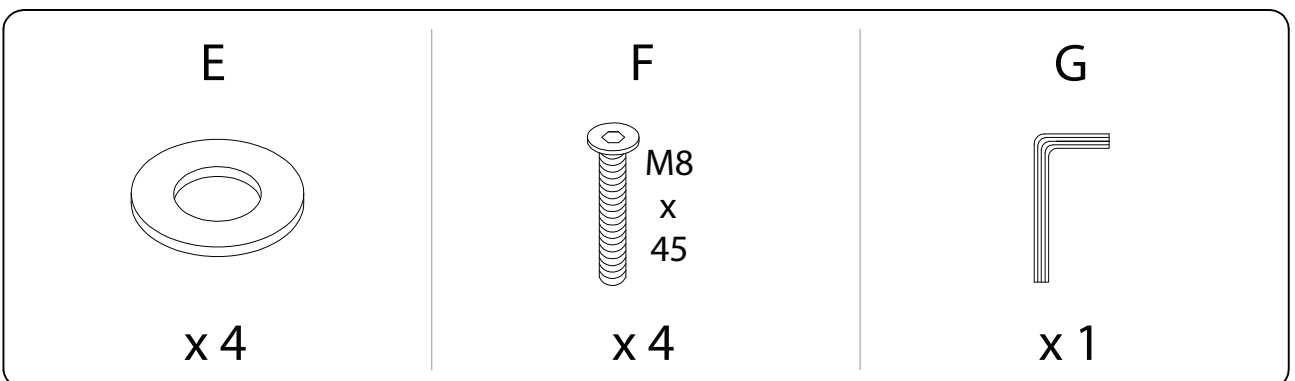
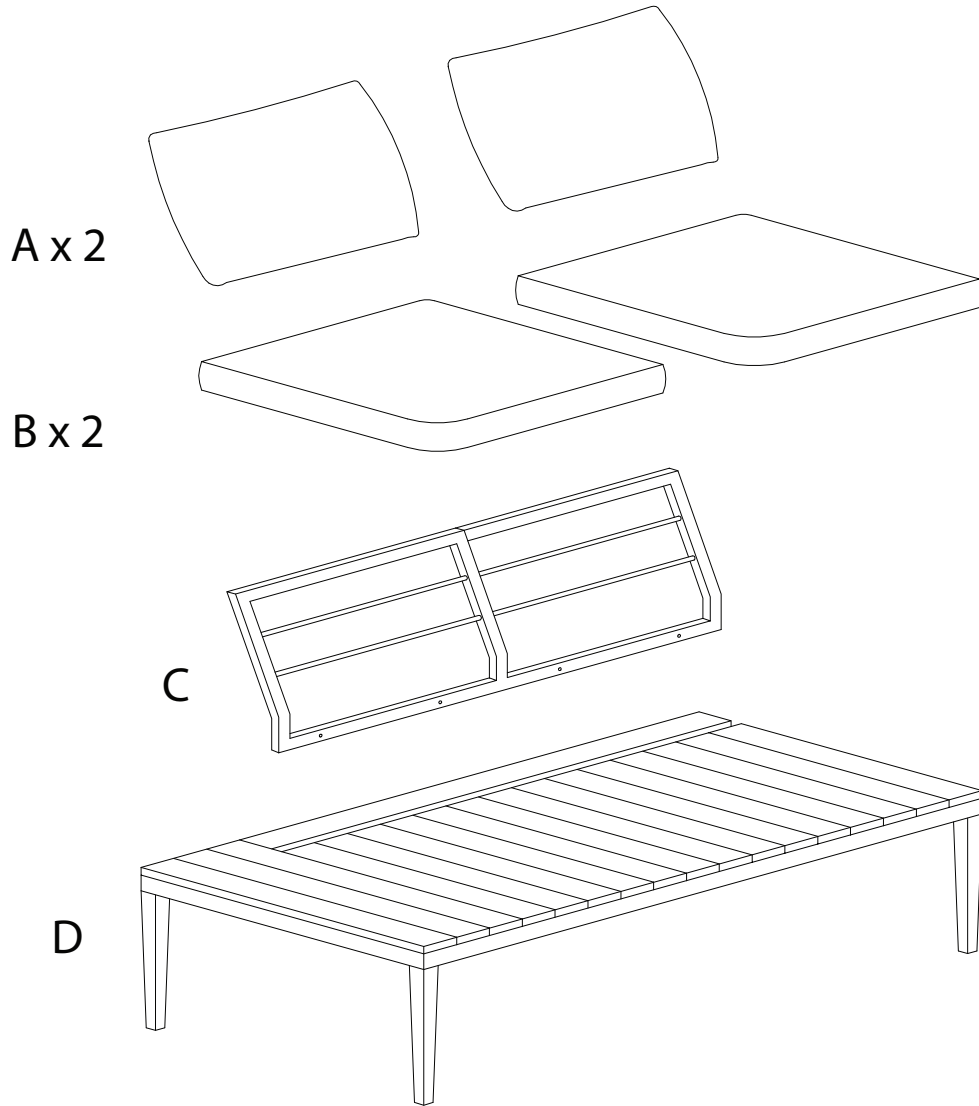
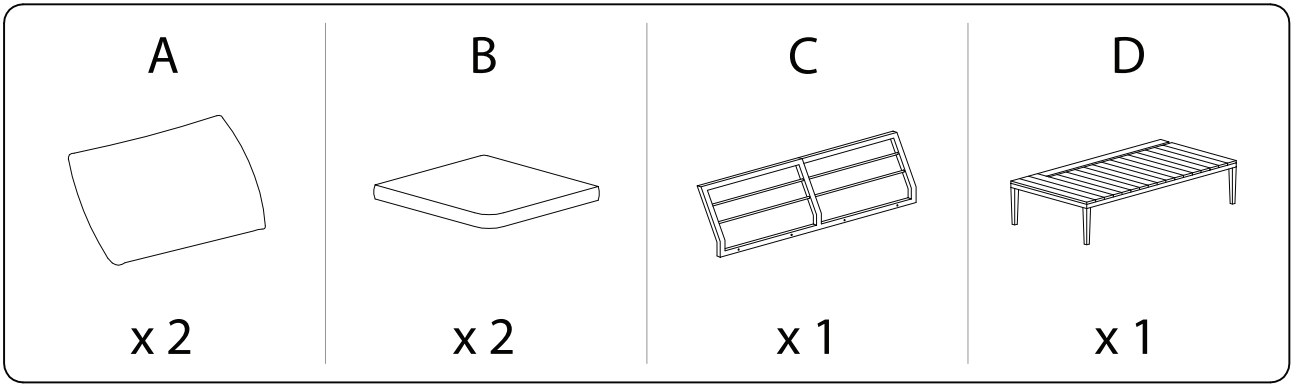
1



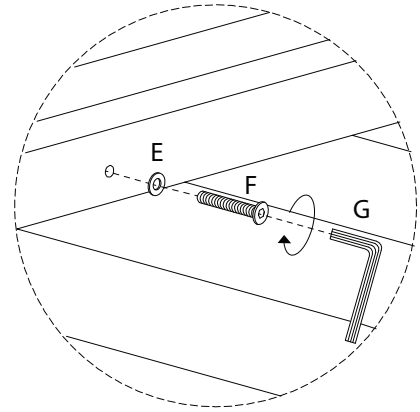
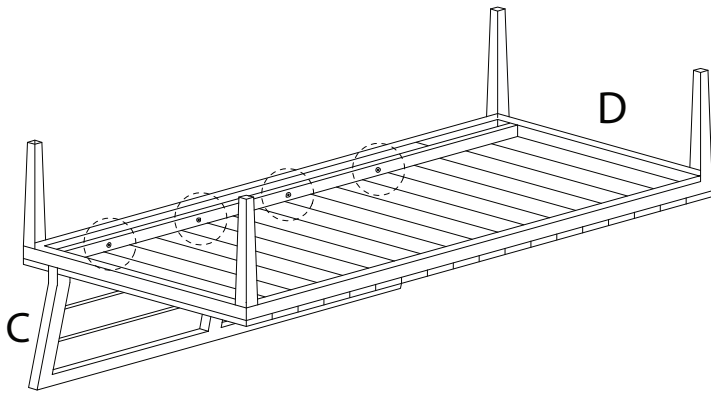
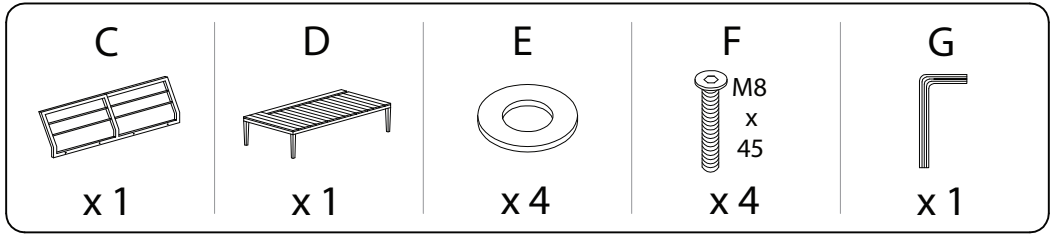
2



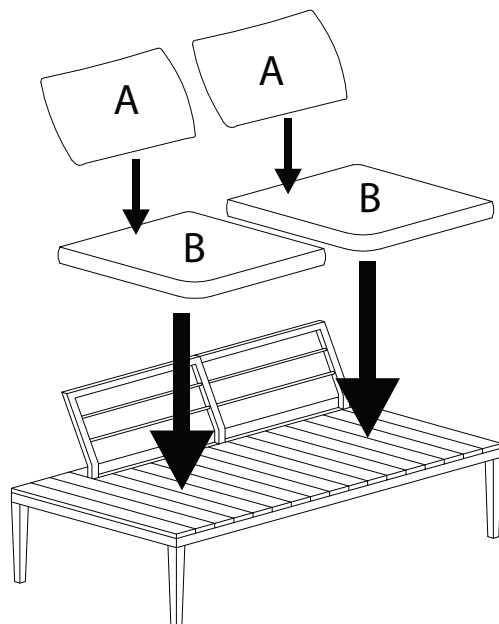
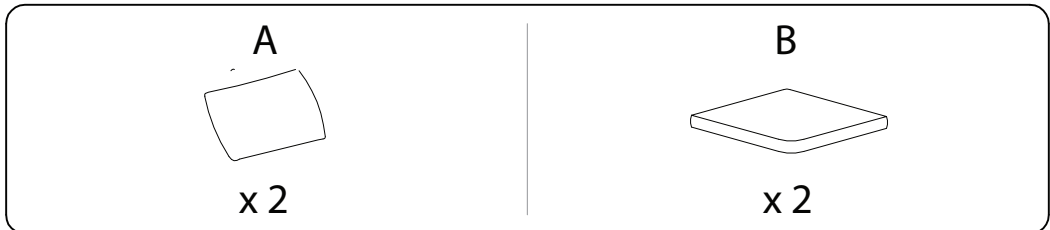
B



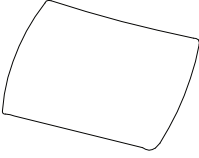

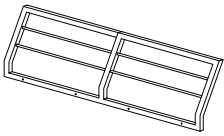

1

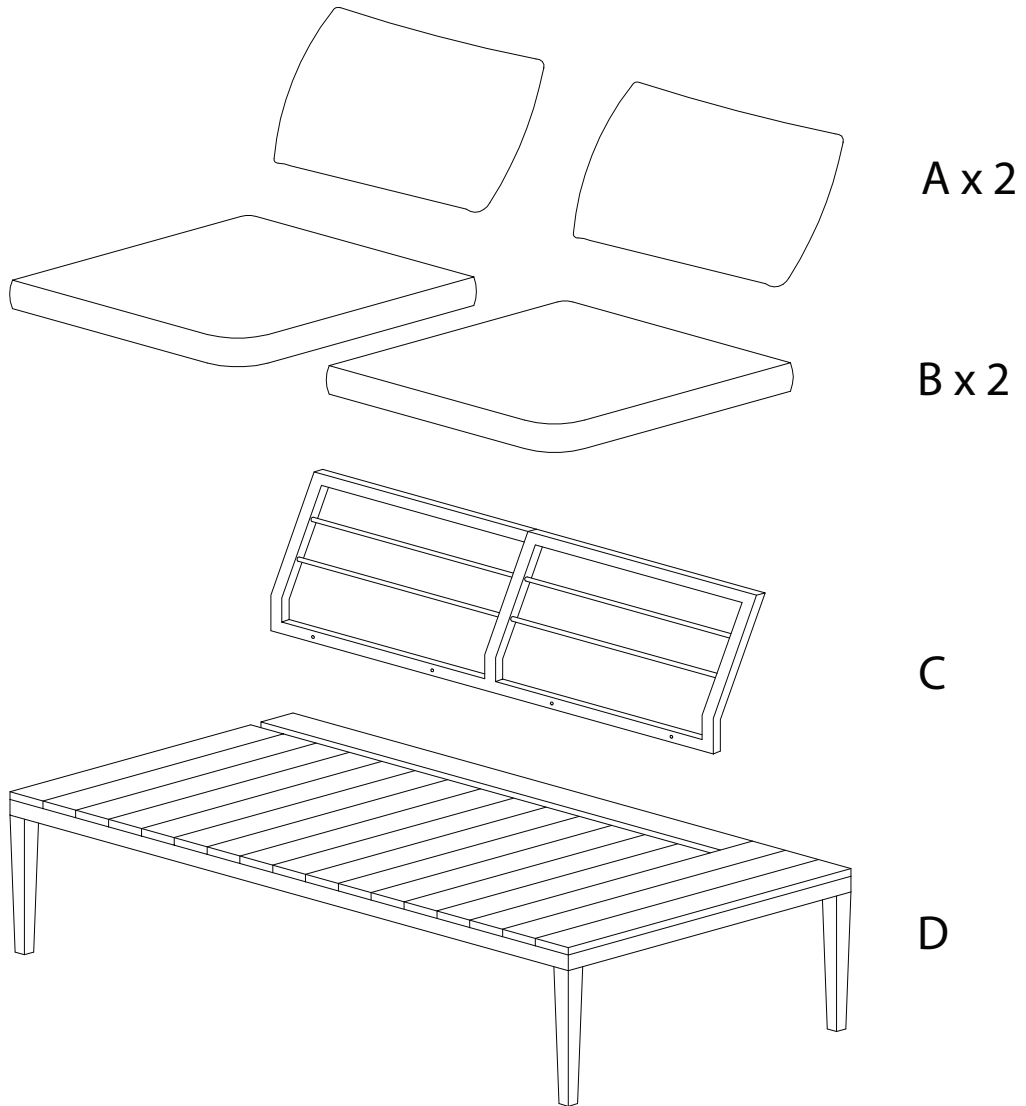


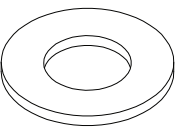
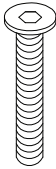
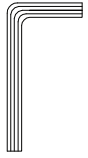
2



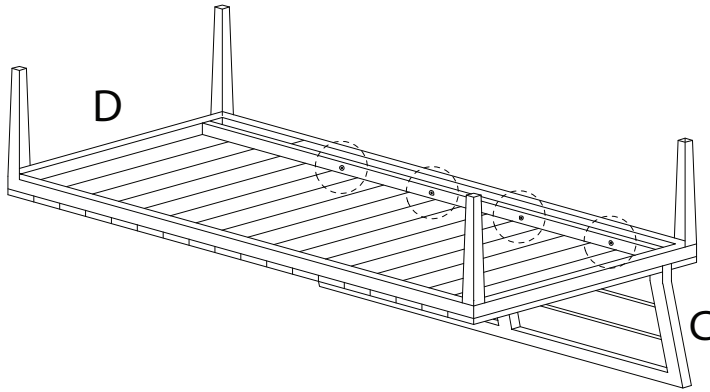
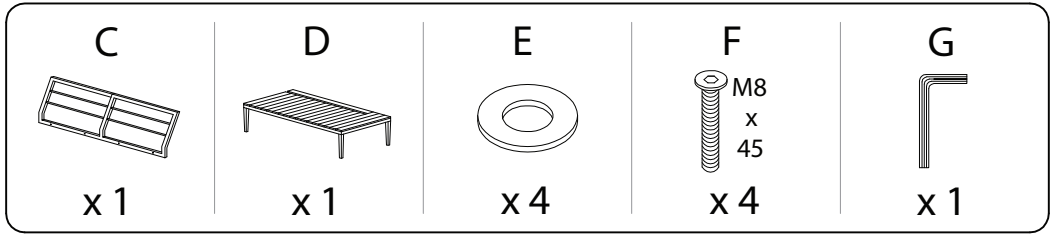
C

<p>A</p>  <p>x 2</p>	<p>B</p>  <p>x 2</p>	<p>C</p>  <p>x 1</p>	<p>D</p>  <p>x 1</p>
---	---	--	---



<p>E</p>  <p>x 4</p>	<p>F</p>  <p>M8 x 45</p> <p>x 4</p>	<p>G</p>  <p>x 1</p>
---	--	---

1



2

