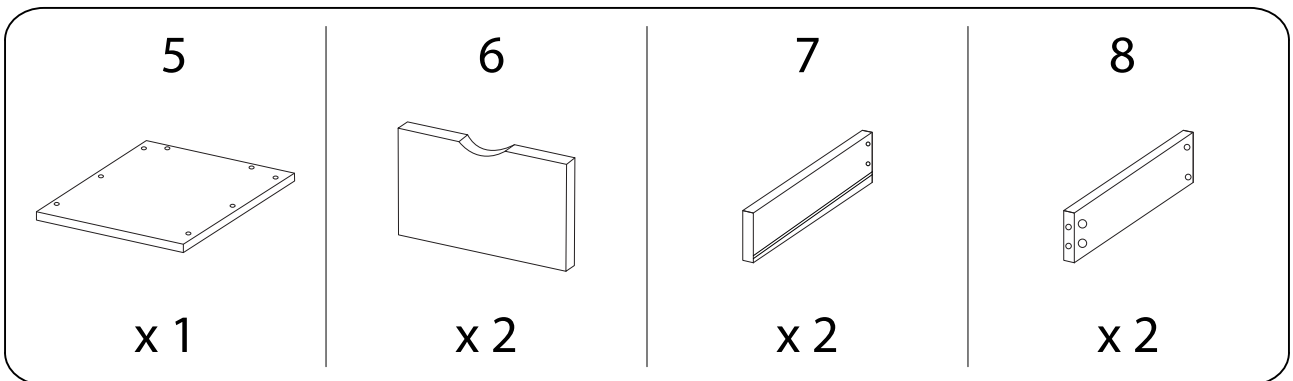
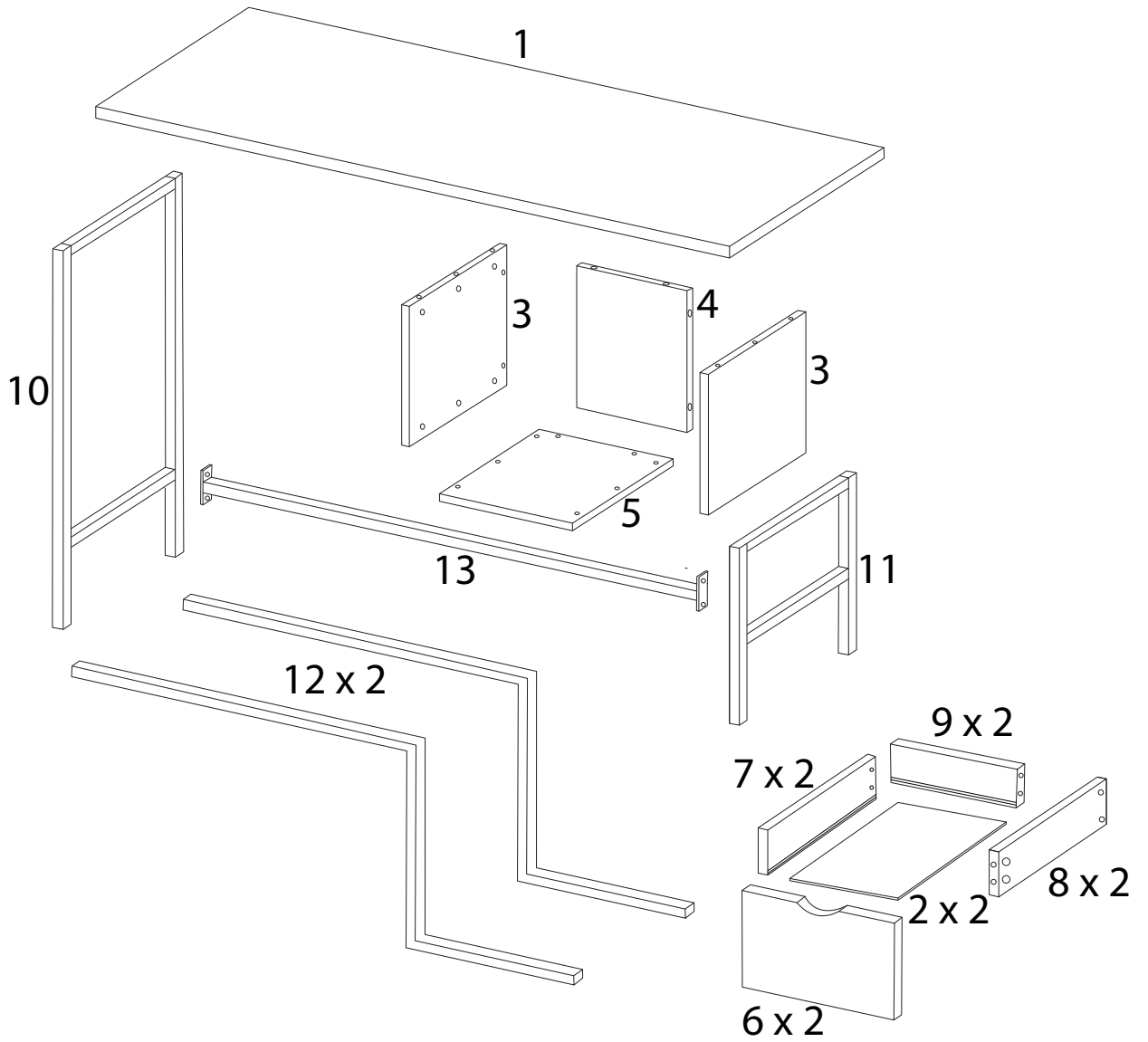
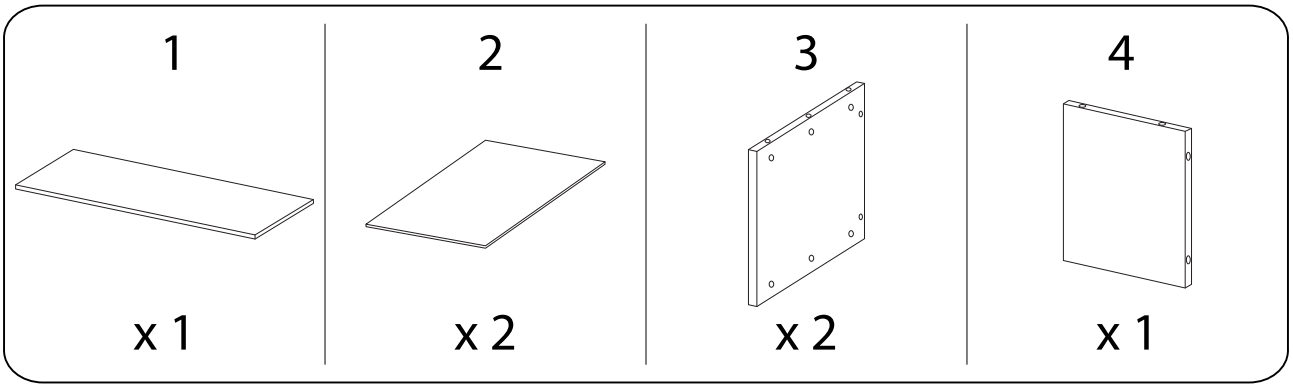
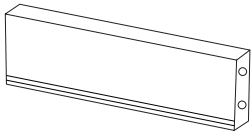


Assembly instructions for step 1/14:

- Use a screwdriver, do not use a power drill. (Warning: Sharp object)
- Estimated time: 60 minutes.
- Requires 1 person.
- Warning: Do not use a power drill on the surface.

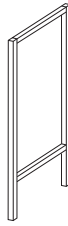


9



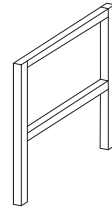
x 2

10



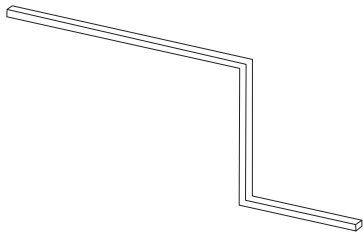
x 1

11



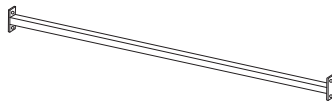
x 1

12



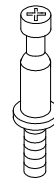
x 2

13



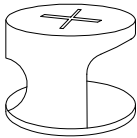
x 1

A1



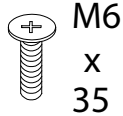
x 28

A2



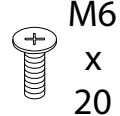
x 28

B1



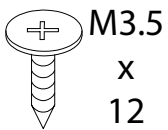
x 16

B2



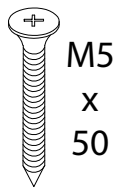
x 4

C



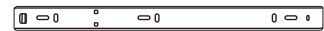
x 16

D



x 8

E1



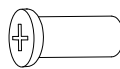
x 4

E2



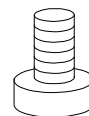
x 4

F



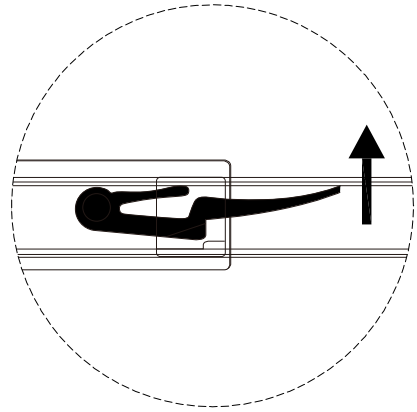
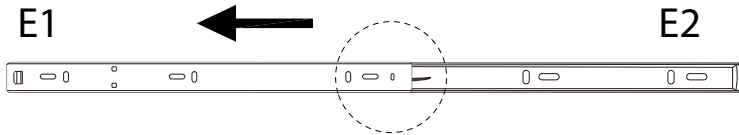
x 4

G

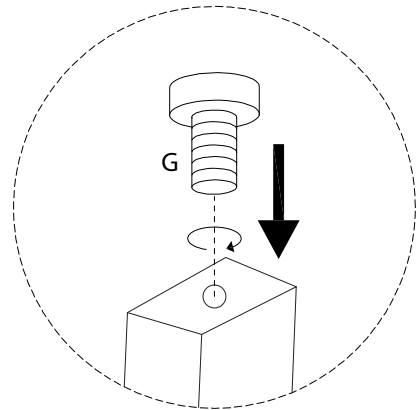
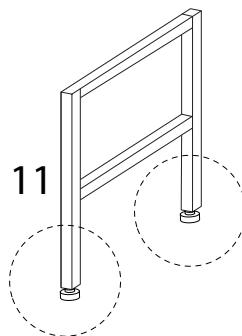
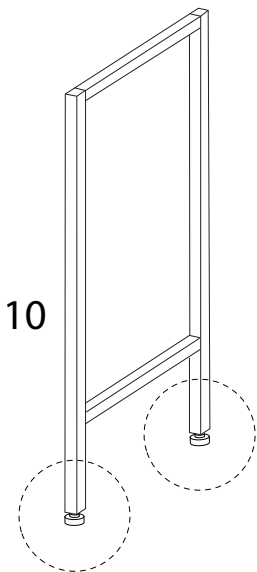
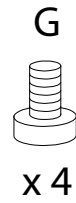
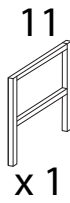
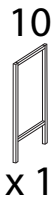


x 4

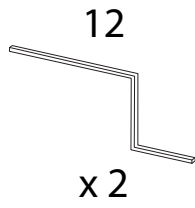
!



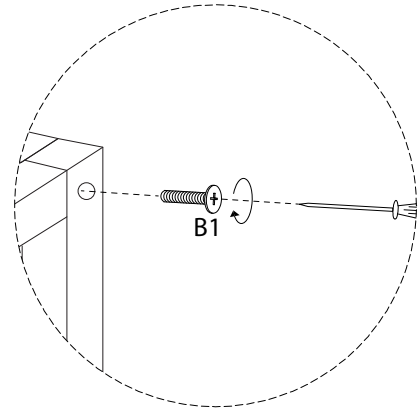
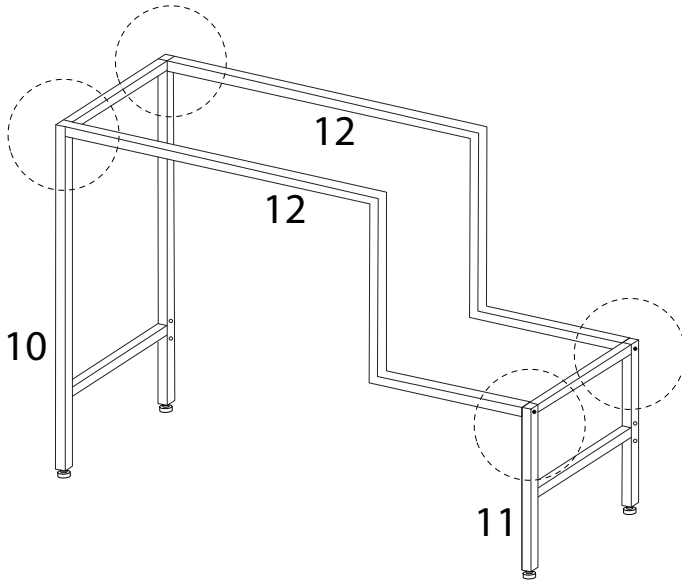
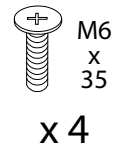
1



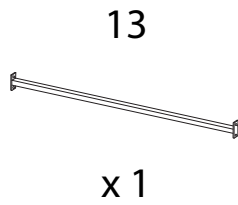
2



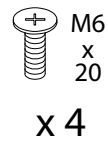
B1



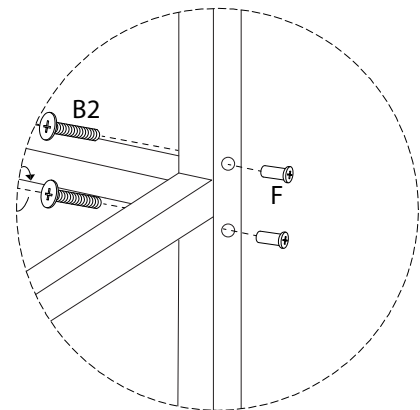
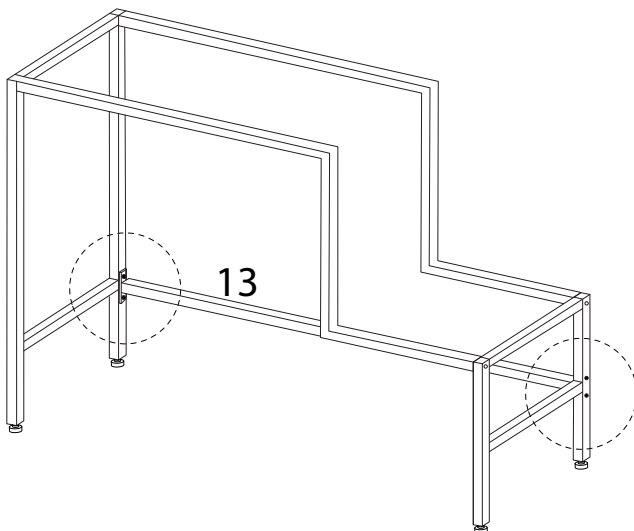
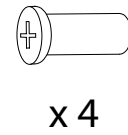
3



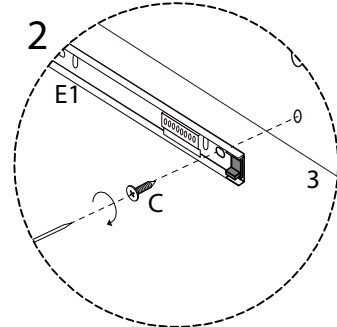
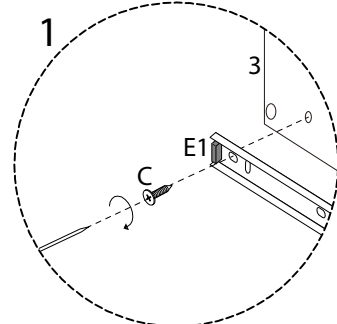
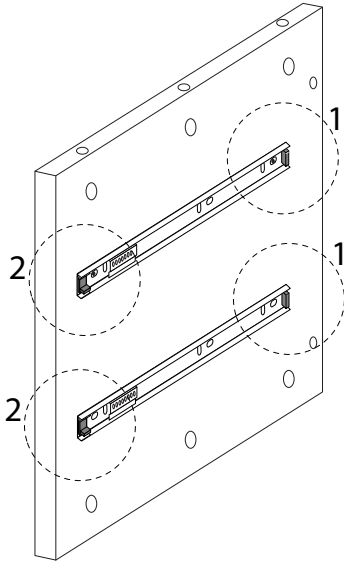
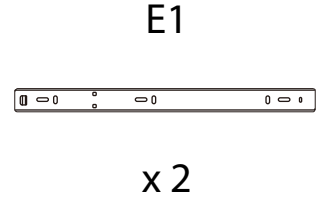
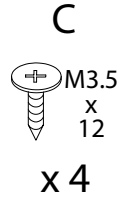
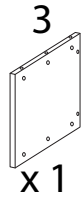
B2



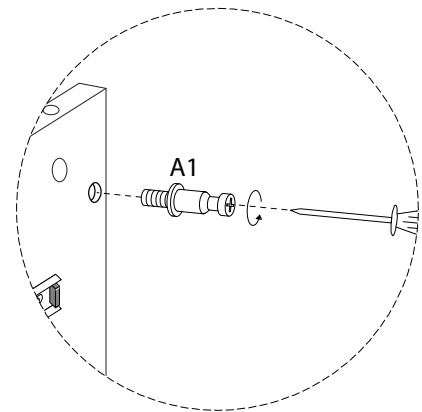
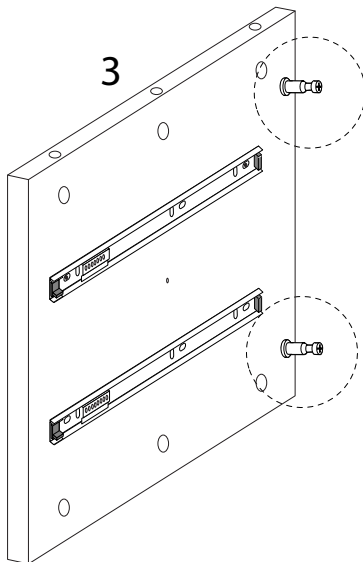
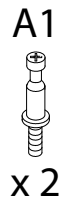
F



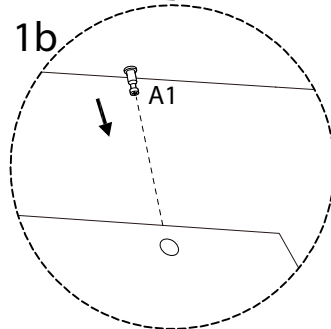
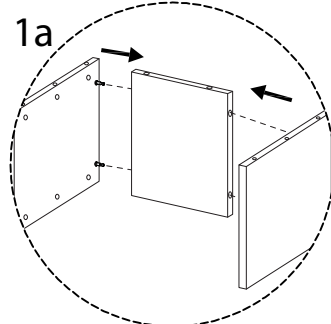
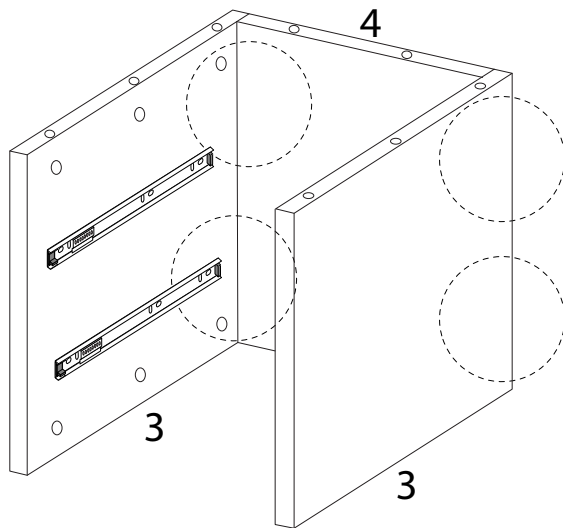
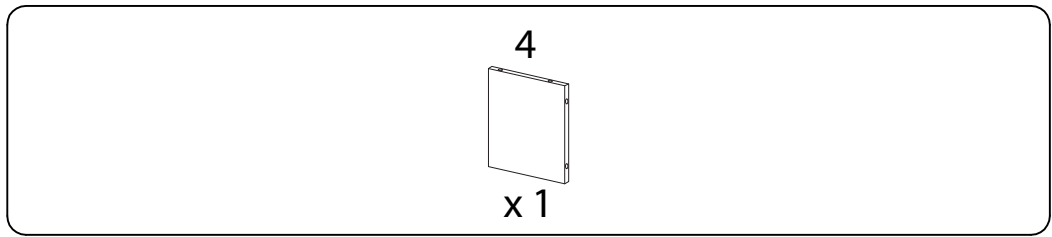
4 x 2



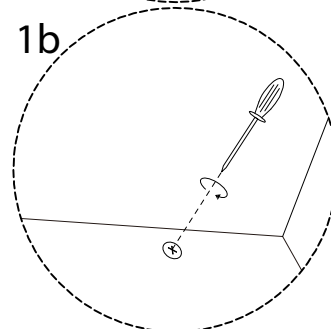
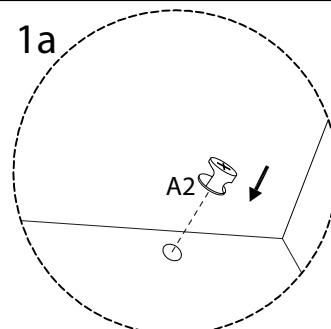
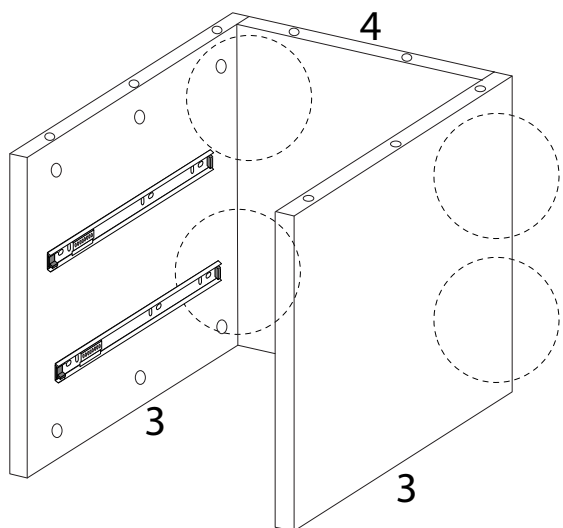
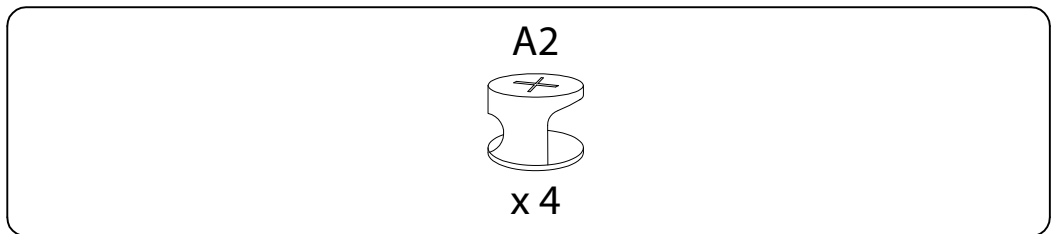
5 x 2



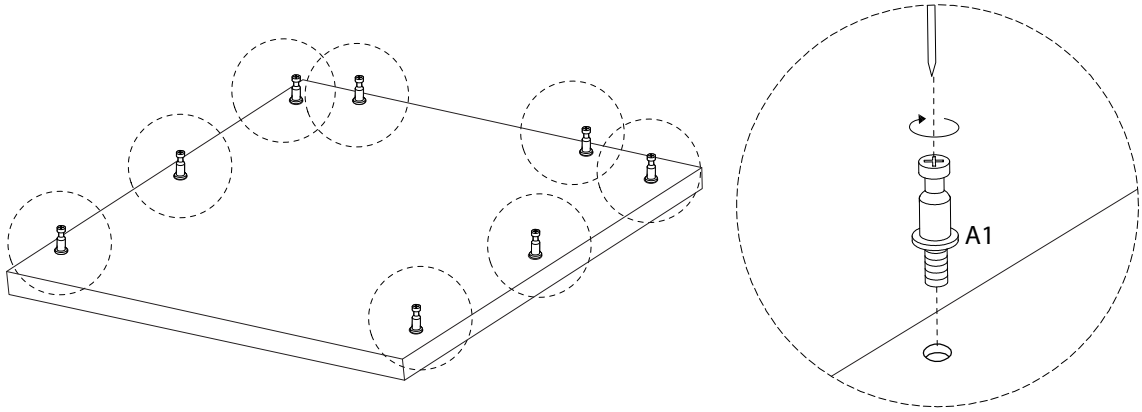
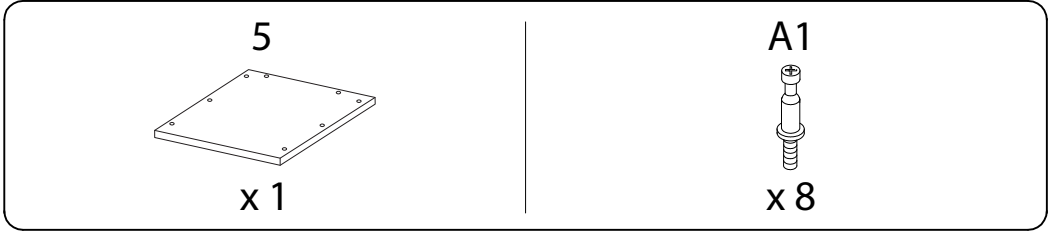
6



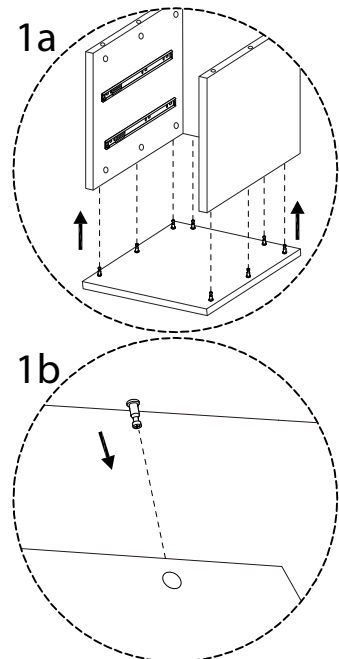
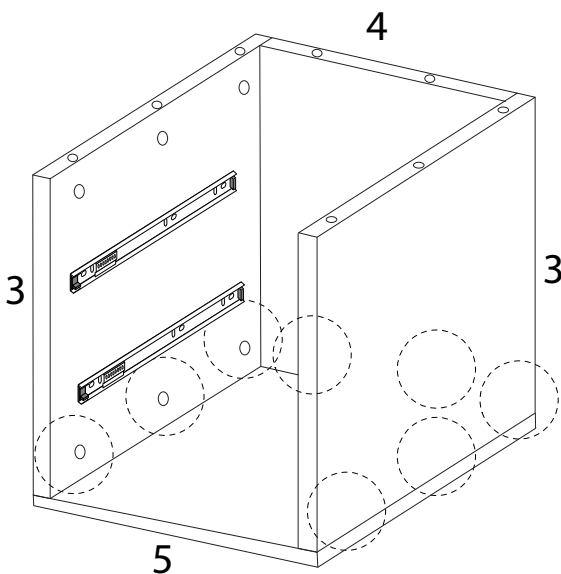
7



8

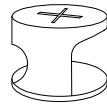


9

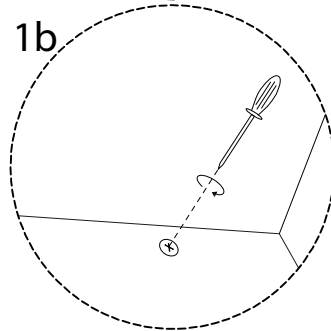
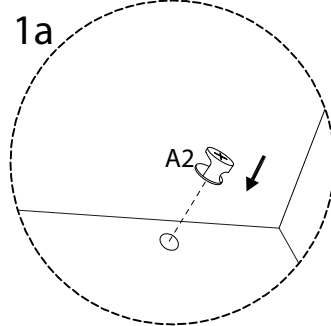
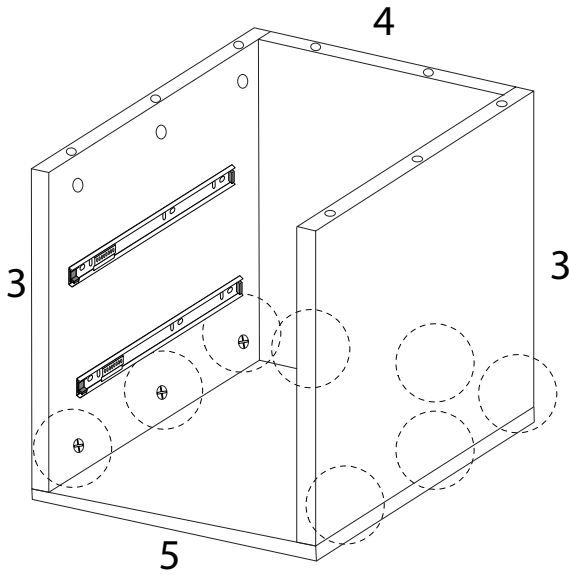


10

A2

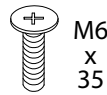


x 8



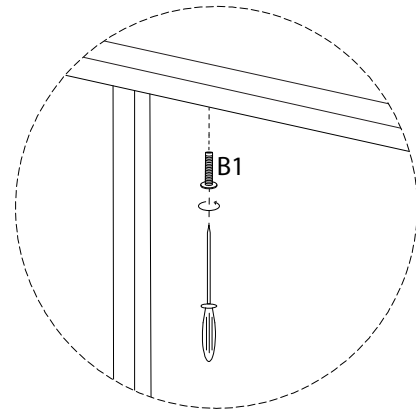
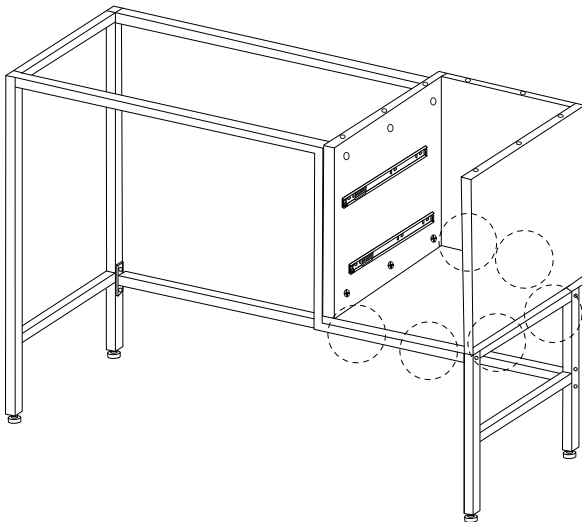
11

B1

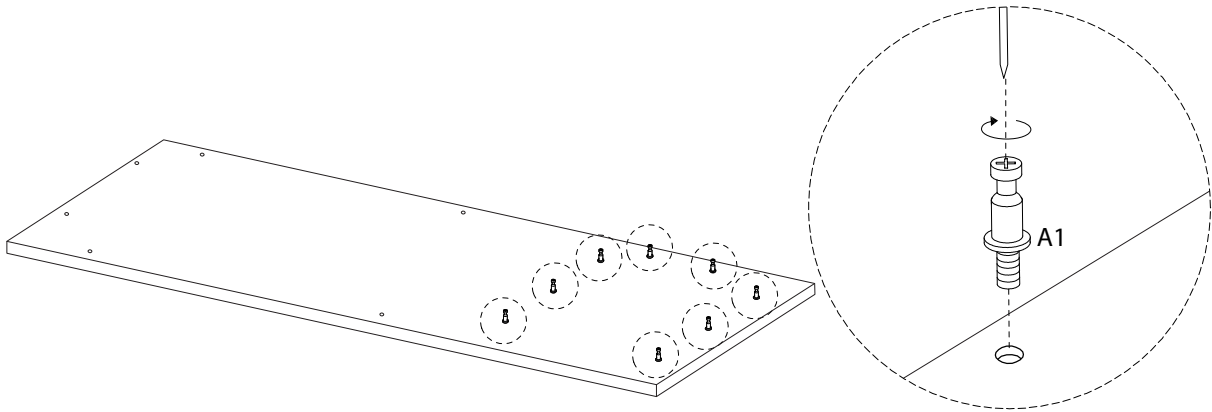
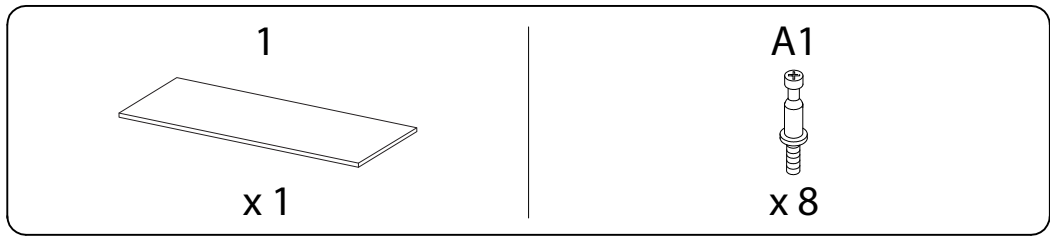


M6
x
35

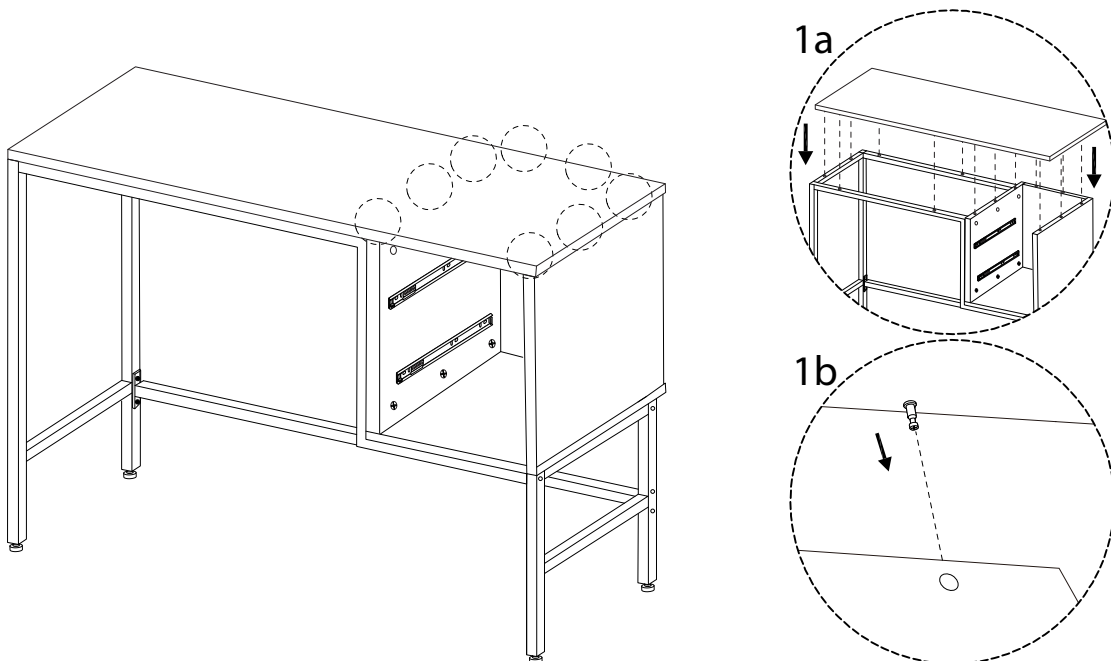
x 6



12

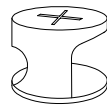


13

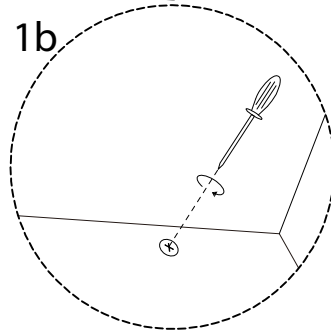
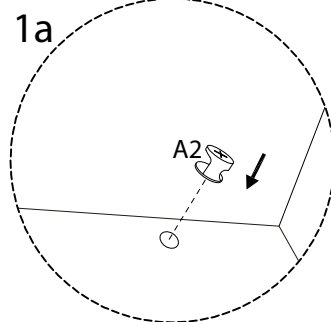
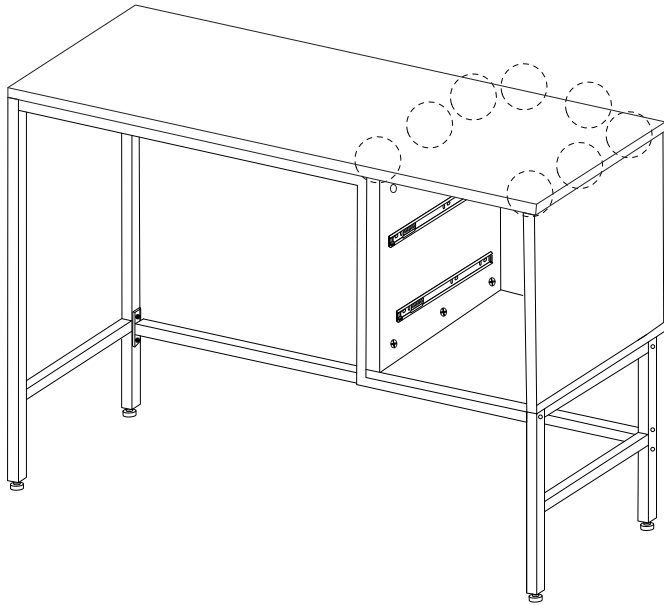


14

A2

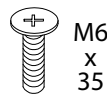


x 8

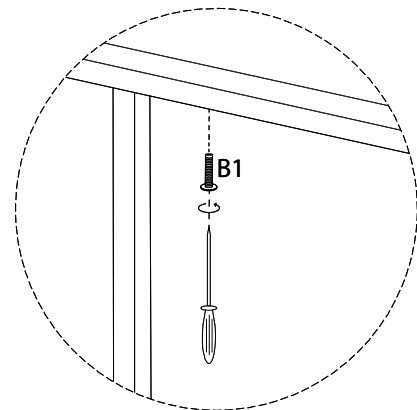
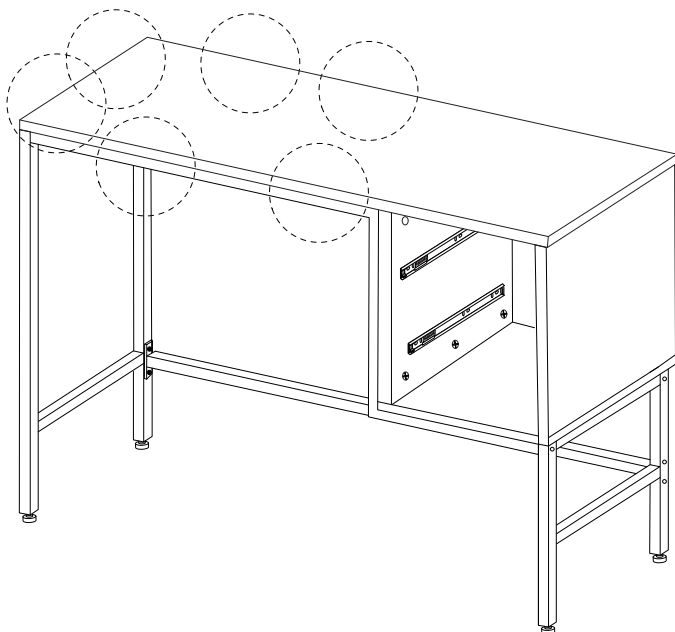


15

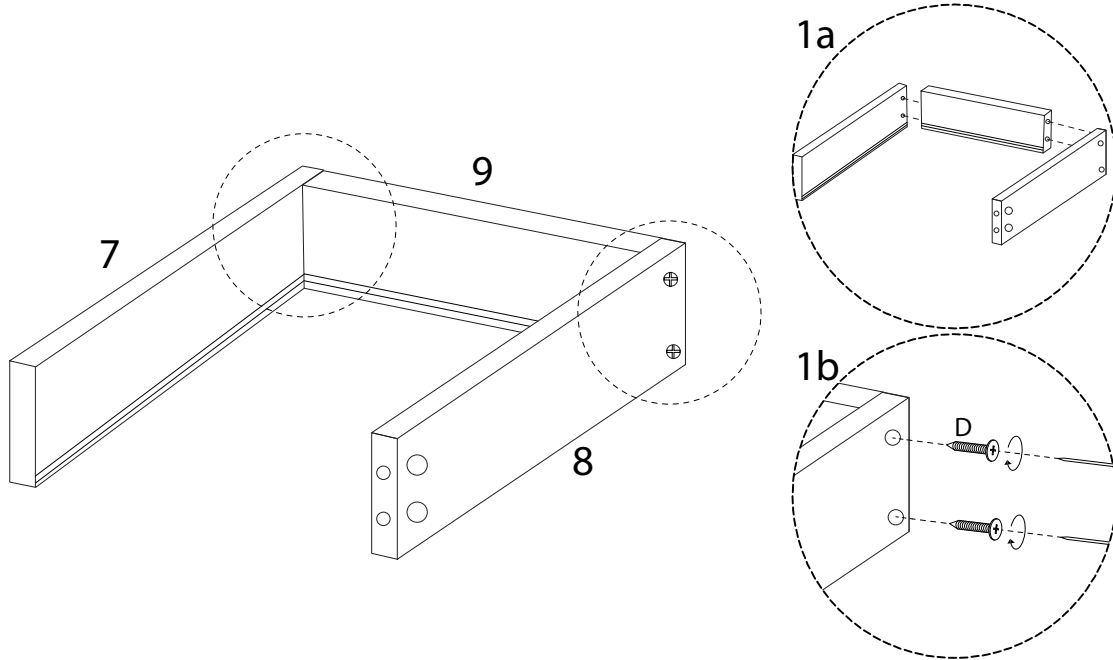
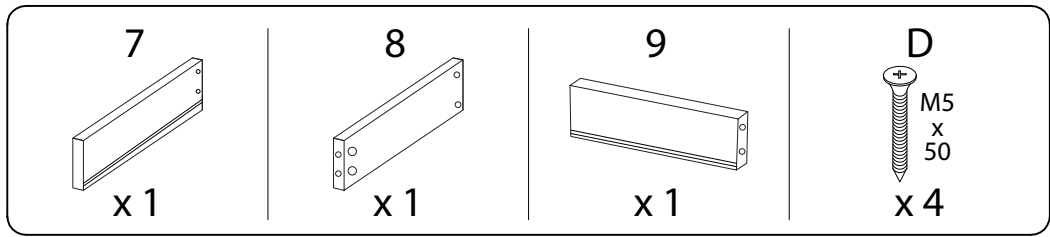
B1



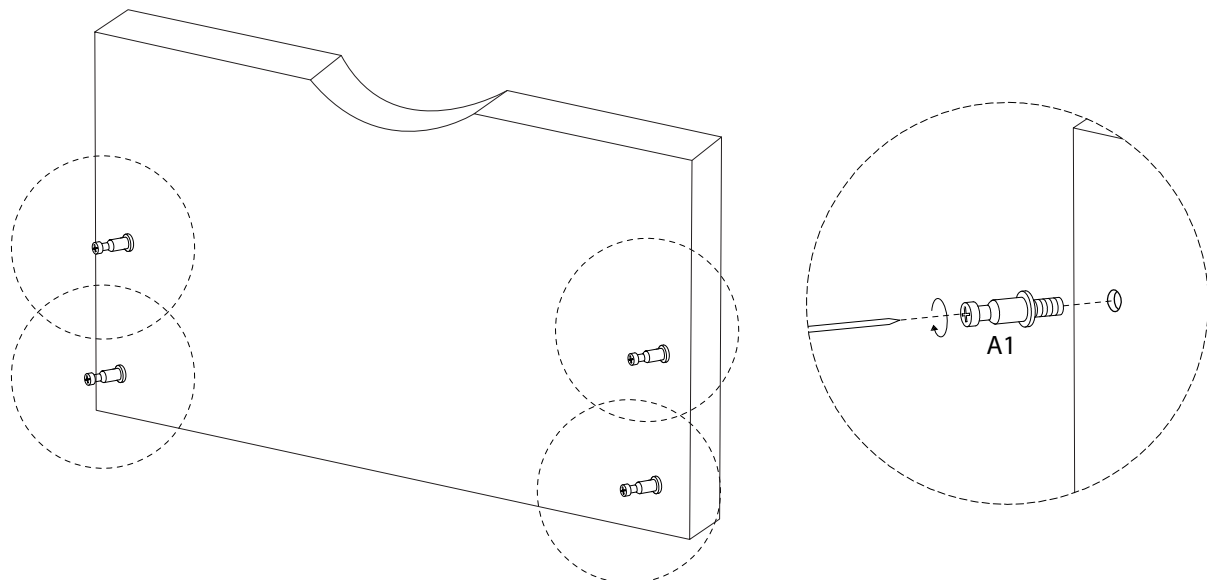
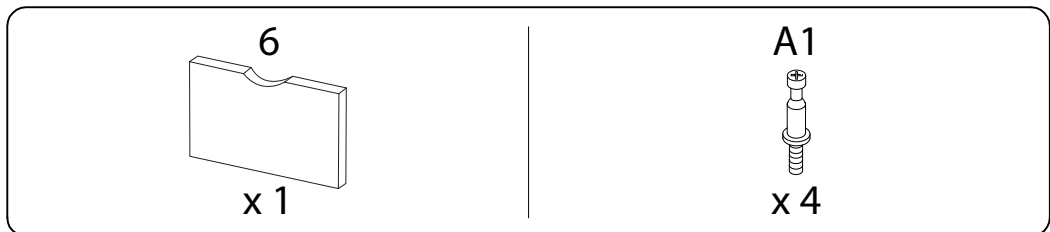
x 6



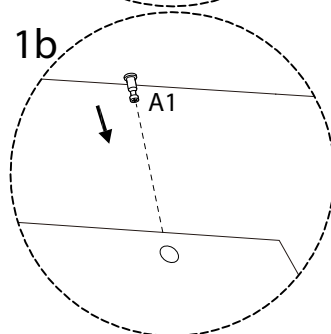
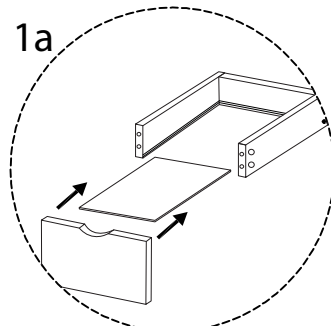
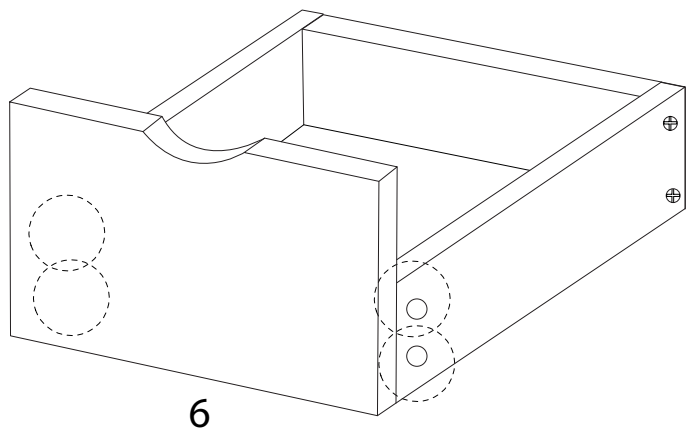
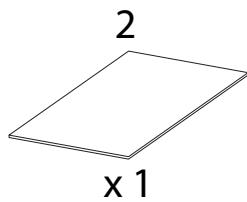
16 x 2



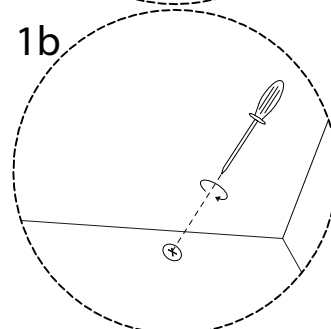
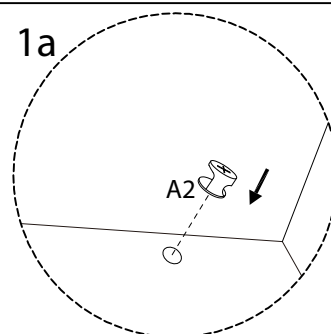
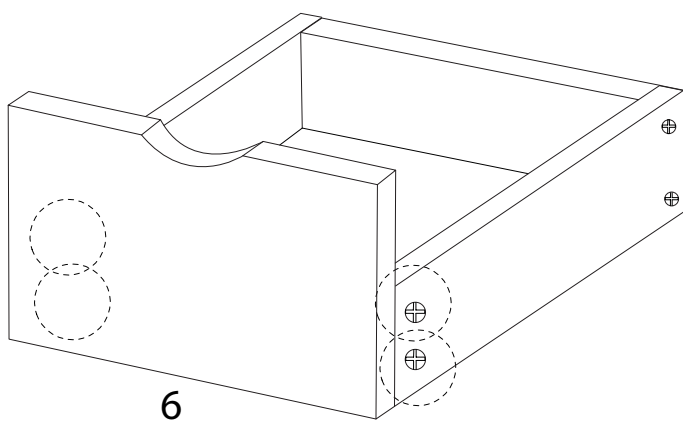
17 x 2



18 x 2

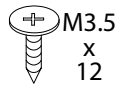


19 x 2



20 x 2

C

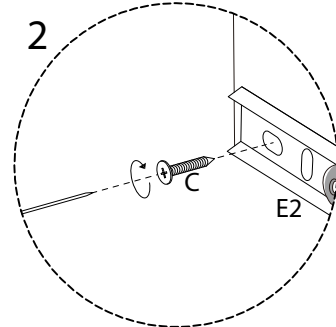
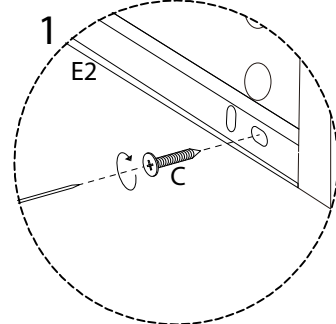
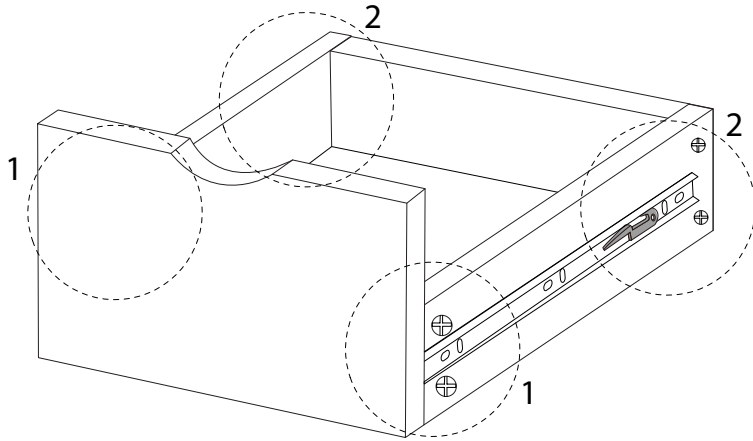


x 4

E2



x 2



21

