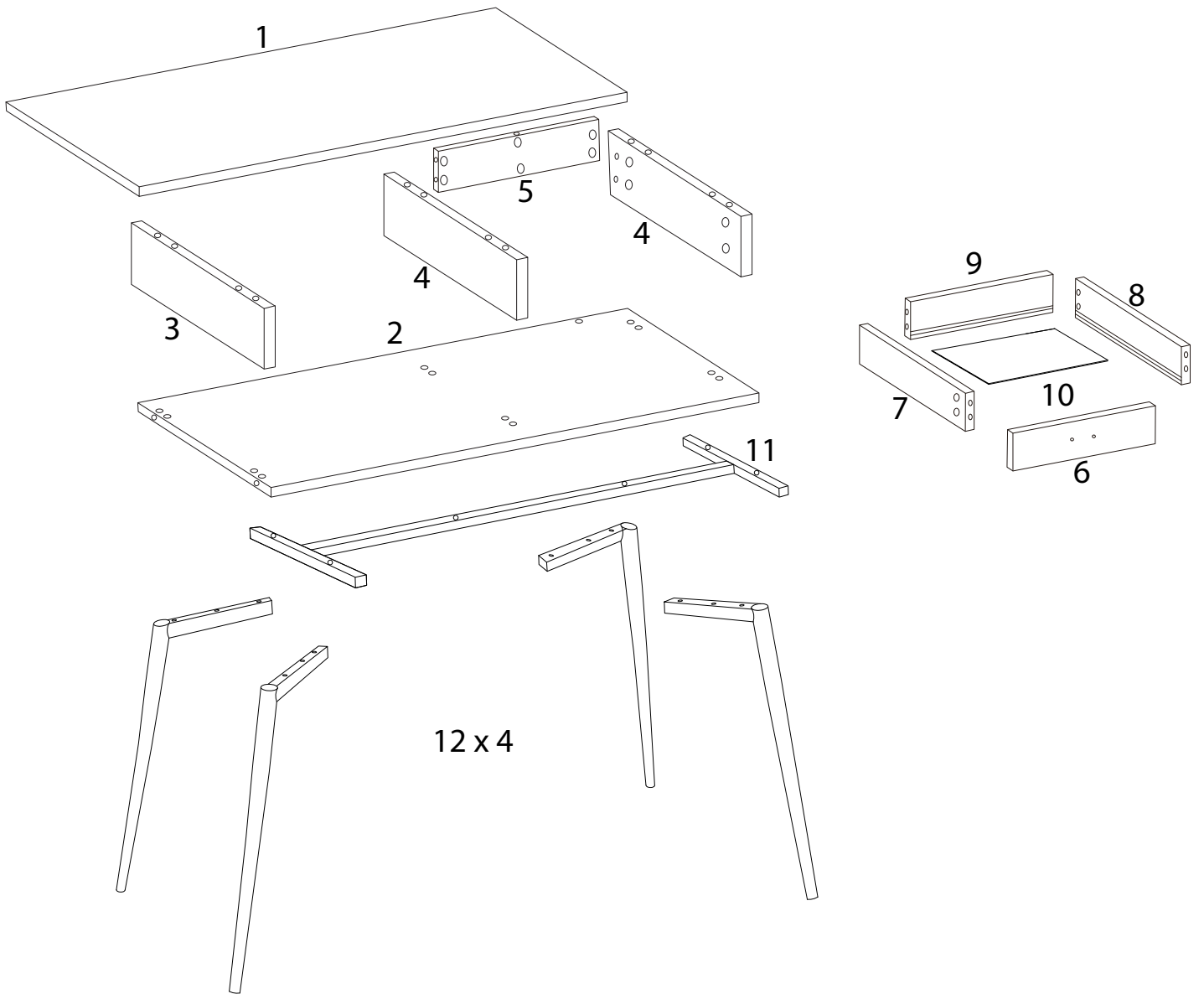
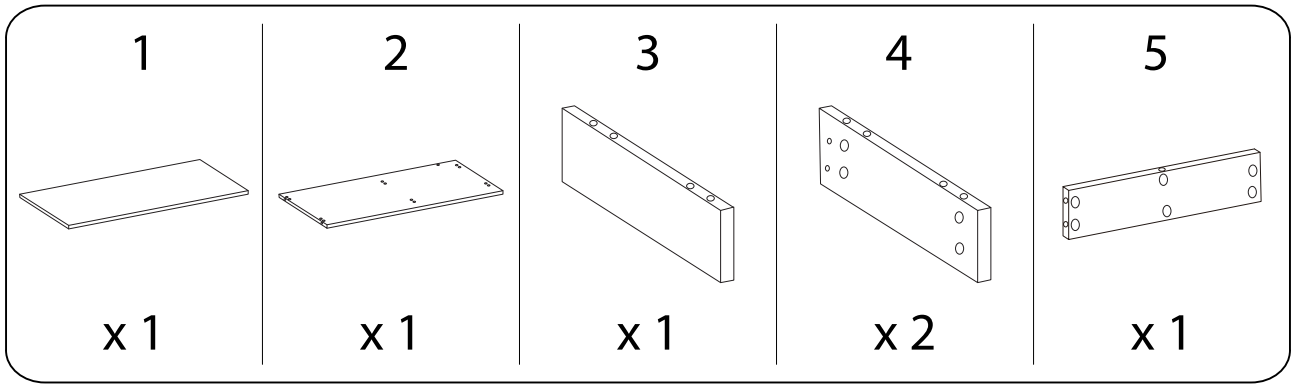
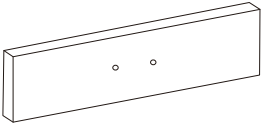
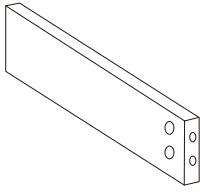
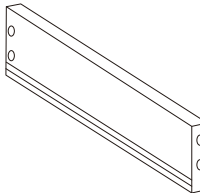
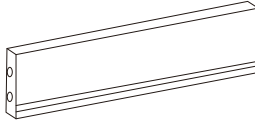
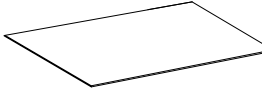


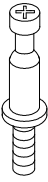
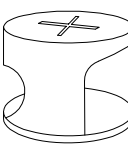
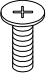

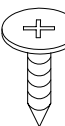
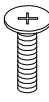

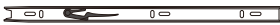
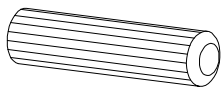


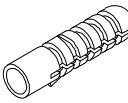
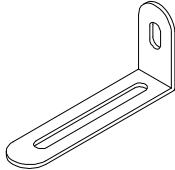




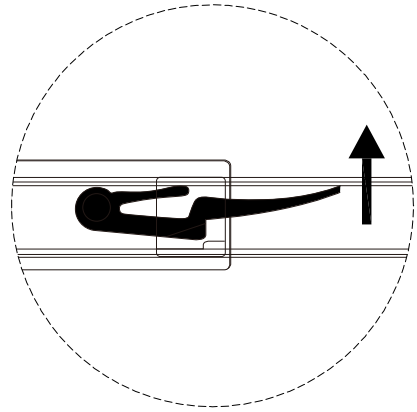
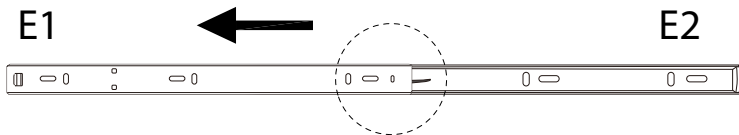
Assembly instructions for step 1/17:

- Tools:** A screwdriver is shown as the required tool. A power drill is shown with a diagonal line through it, indicating it is not to be used.
- Warning:** A warning triangle with an exclamation mark is positioned above the tool icons.
- Time:** A clock icon is shown with the number "60'" below it, indicating a 60-minute time limit for this step.
- Personnel:** An icon of a person is shown with the number "1" below it, indicating that one person is required for this step.
- Diagram:** A diagram shows a rectangular block being placed on a surface with a textured edge. A second diagram shows the block being pushed down, with a diagonal line through it, indicating that the block should not be pushed down.

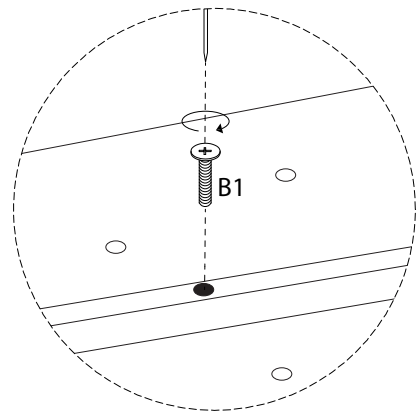
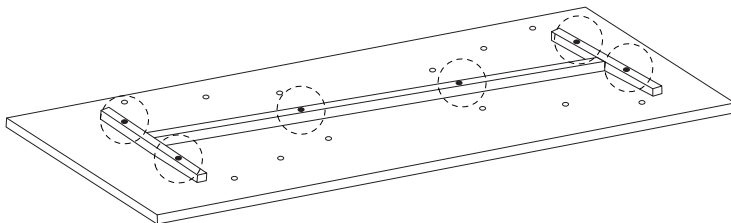
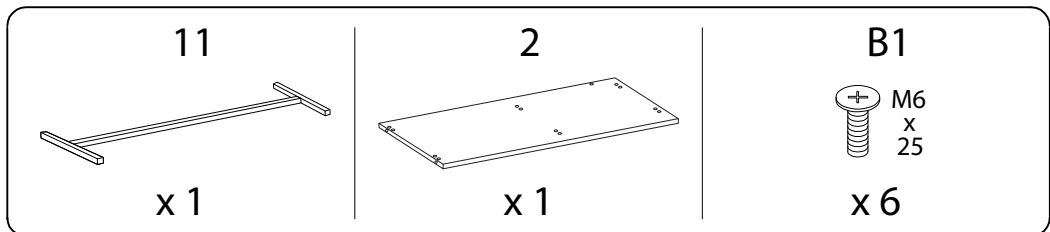


<p>6</p>  <p>x 1</p>	<p>7</p>  <p>x 1</p>	<p>8</p>  <p>x 1</p>	<p>9</p>  <p>x 1</p>
<p>10</p>  <p>x 1</p>	<p>11</p>  <p>x 1</p>	<p>12</p>  <p>x 4</p>	<p>A1</p>  <p>x 26</p>
<p>A2</p>  <p>x 26</p>	<p>B1</p>  <p>M6 x 25</p> <p>x 18</p>	<p>B2</p>  <p>M6 x 40</p> <p>x 4</p>	<p>C</p>  <p>ST3.5 x 14</p> <p>x 12</p>
<p>D</p>  <p>M4 x 18</p> <p>x 2</p>	<p>E1</p>  <p>x 2</p>	<p>E2</p>  <p>x 2</p>	<p>F</p>  <p>x 12</p>
<p>G</p>  <p>x 1</p>	<p>H</p>  <p>ST4 x 25</p> <p>x 2</p>	<p>I</p>  <p>x 2</p>	<p>J</p>  <p>x 2</p>

!



1



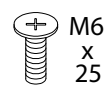
2

12

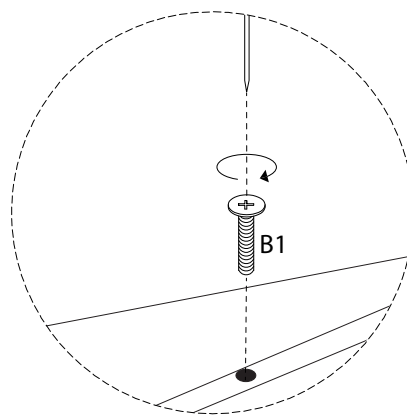
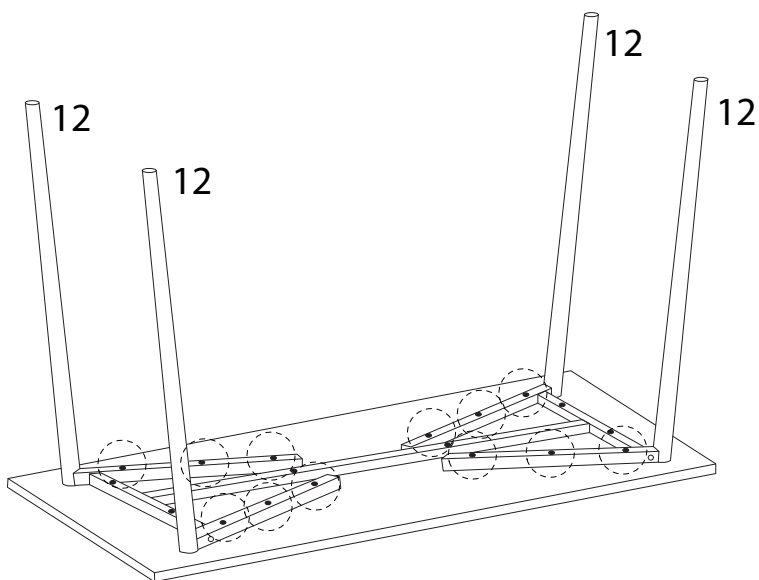


x 4

B1

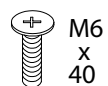


x 12

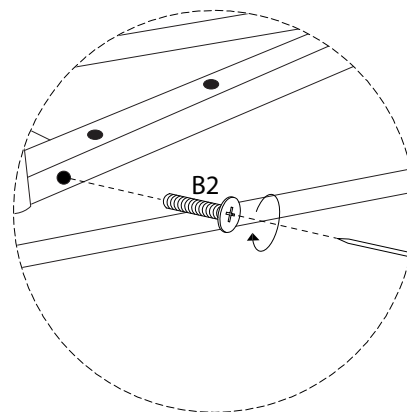
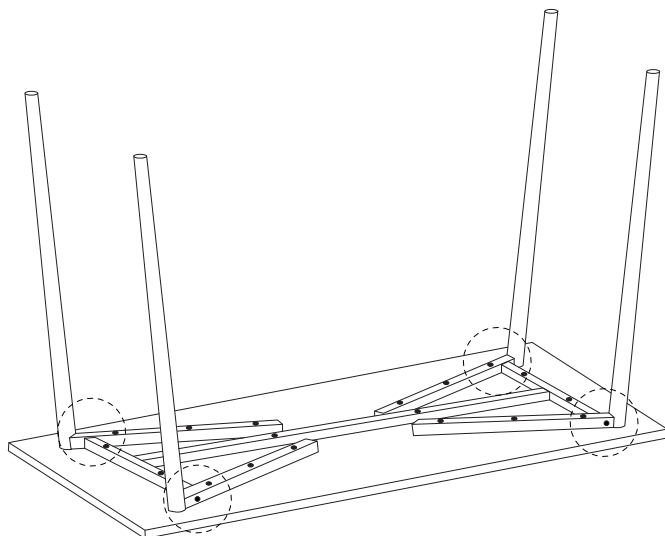


3

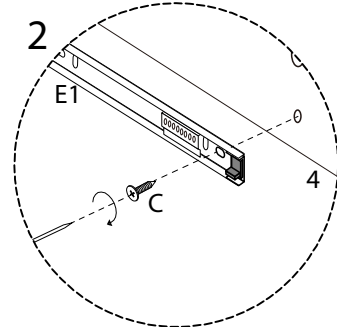
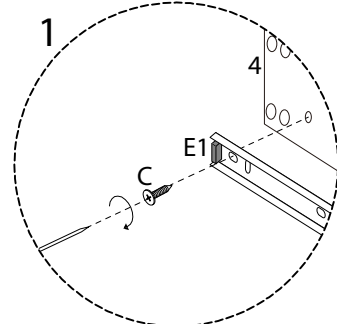
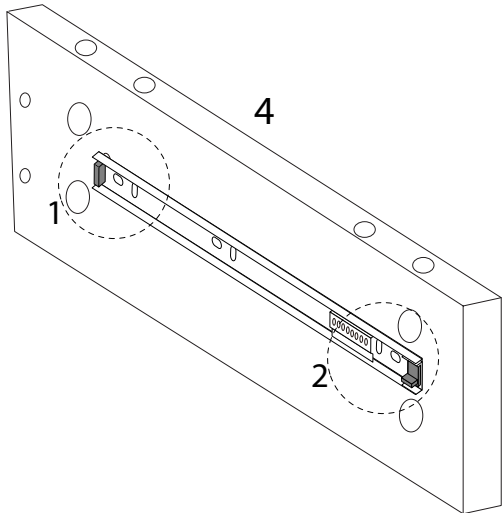
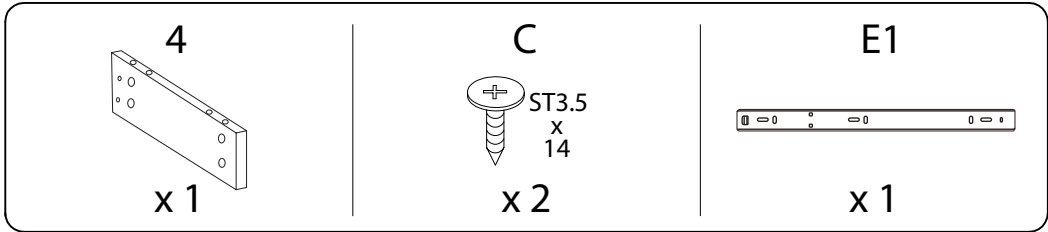
B2



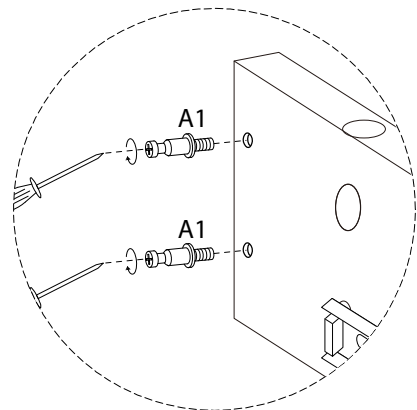
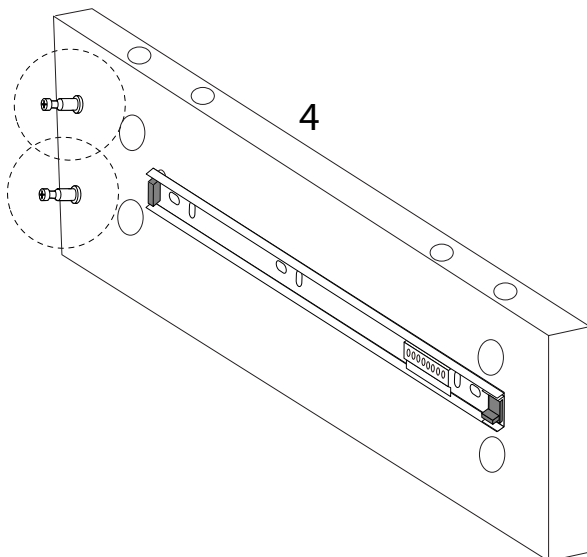
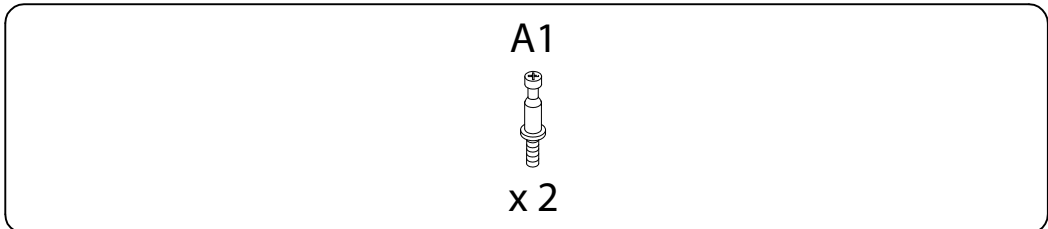
x 4



4 x 2

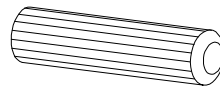


5 x 2

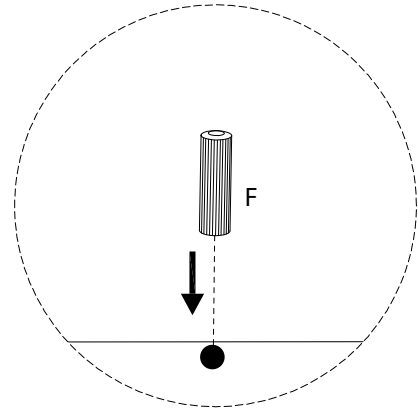
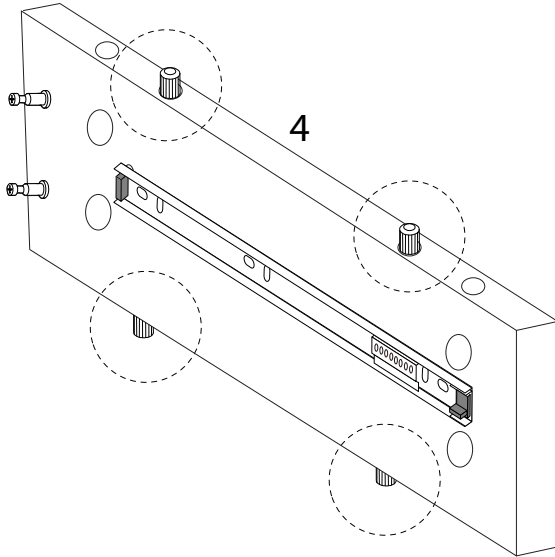


6 x 2

F

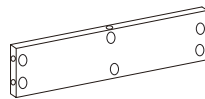


x 4

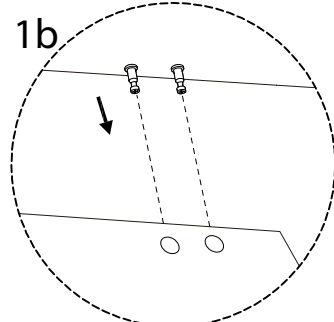
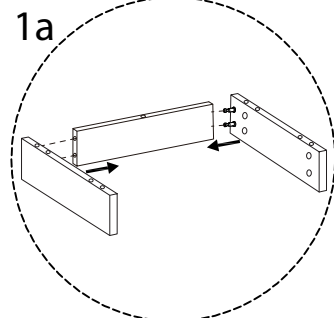
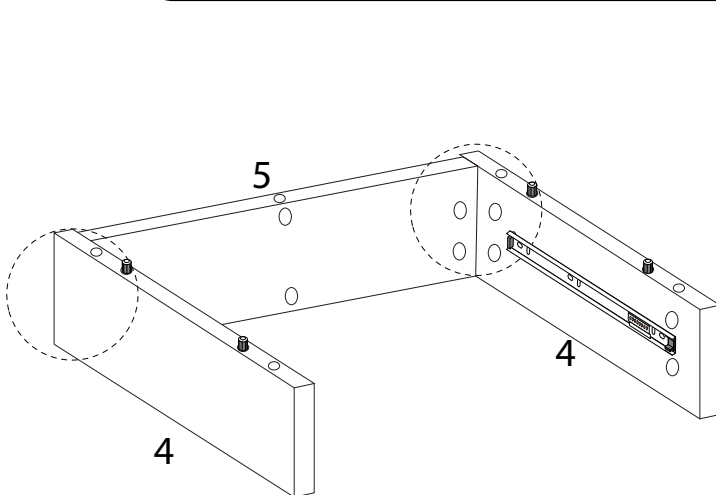


7

5



x 1

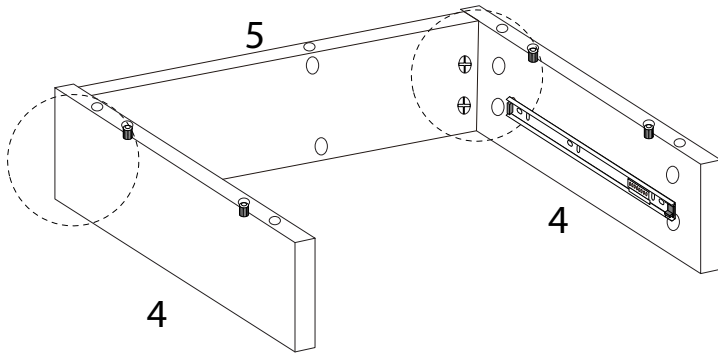


8

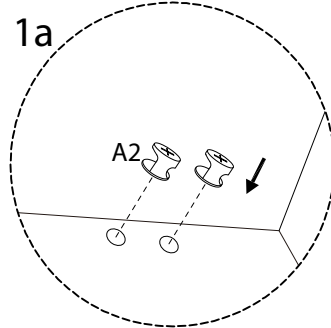
A2



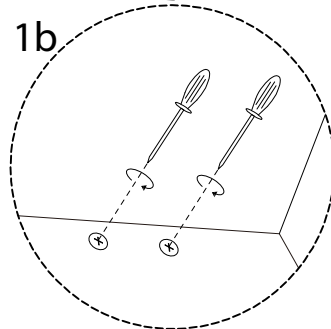
x 4



1a



1b

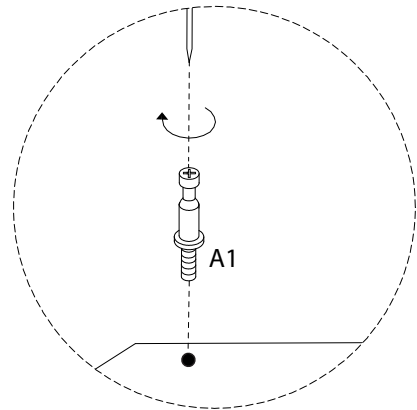
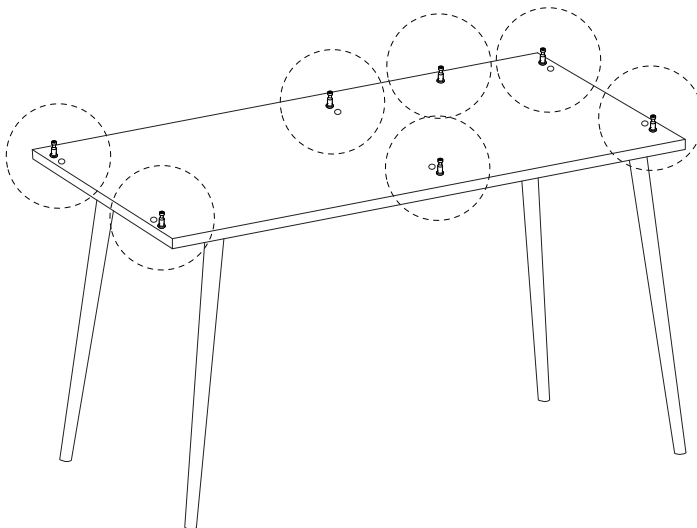


9

A1

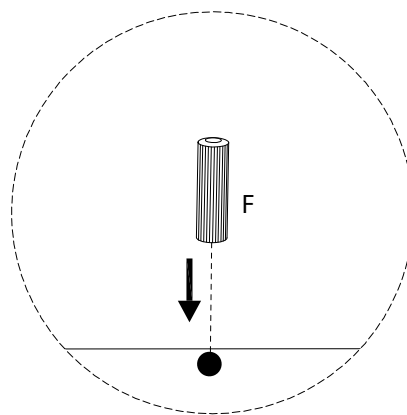
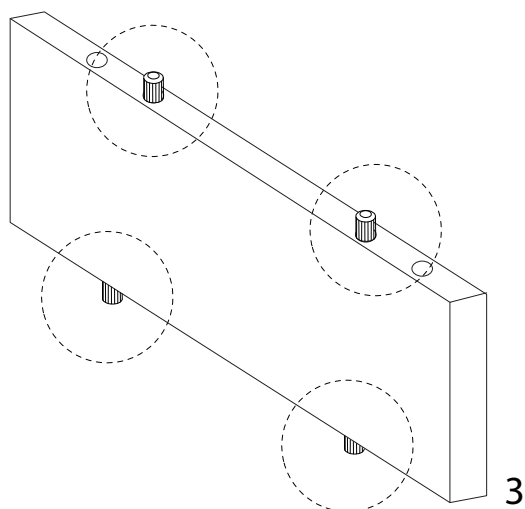
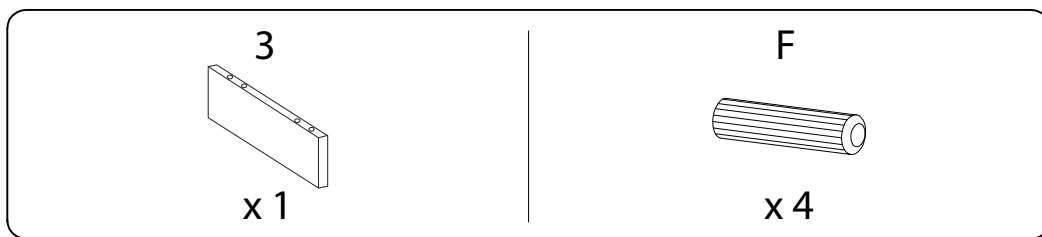


x 7

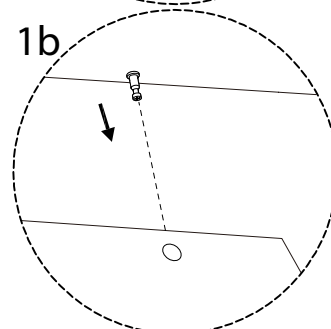
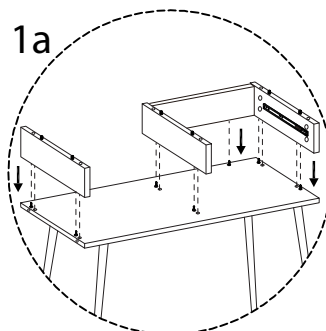
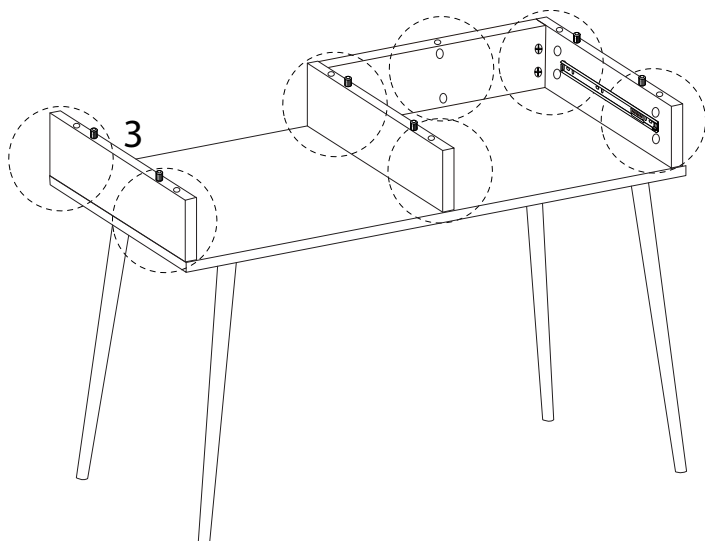




10



11

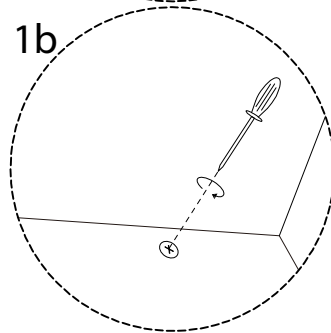
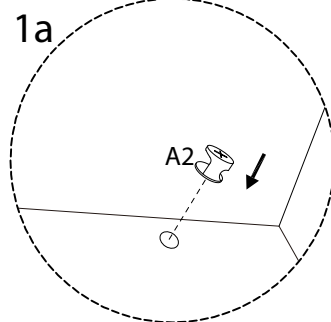
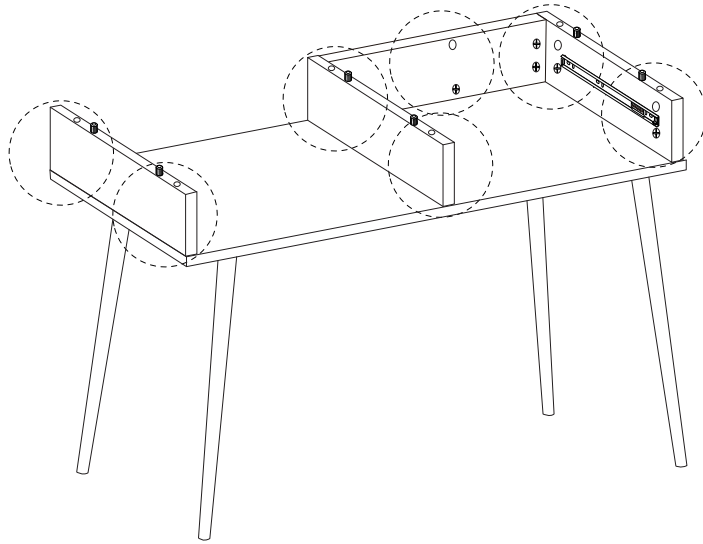


12

A2

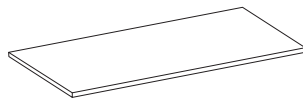


x 7



13

1

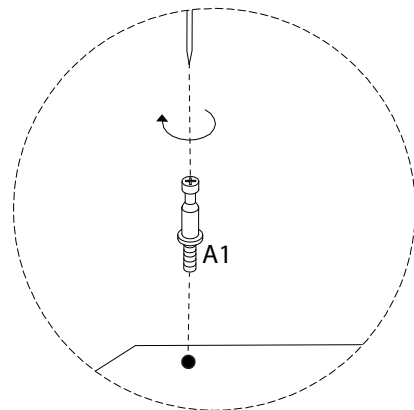
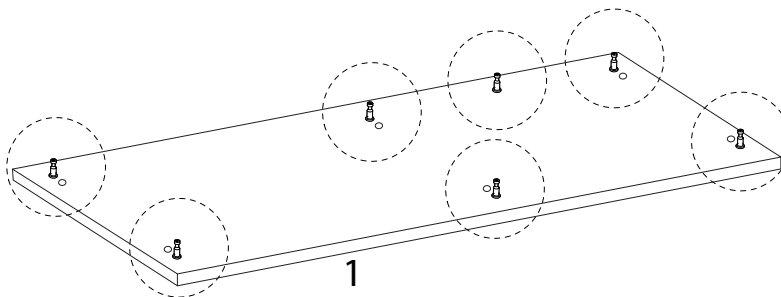


x 1

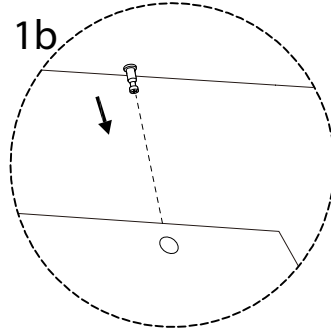
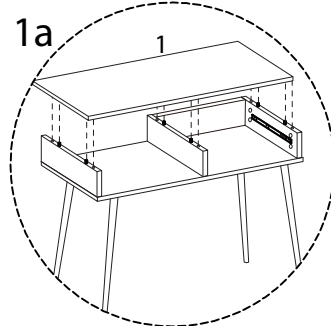
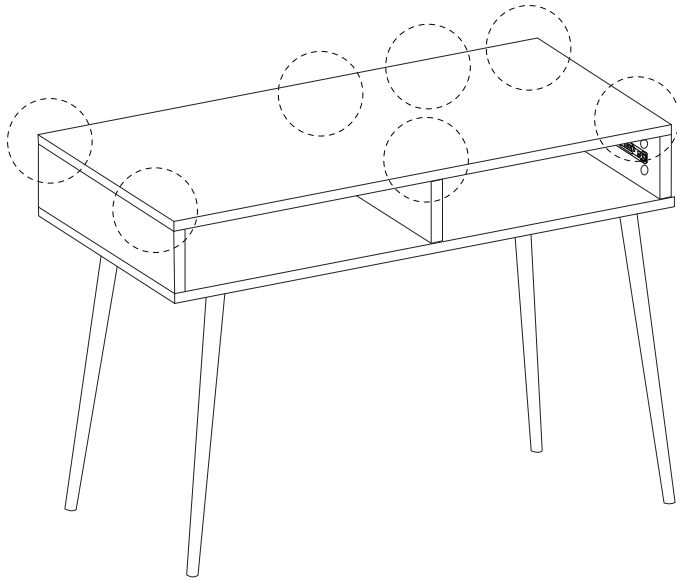
A1



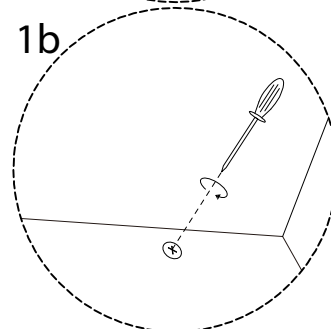
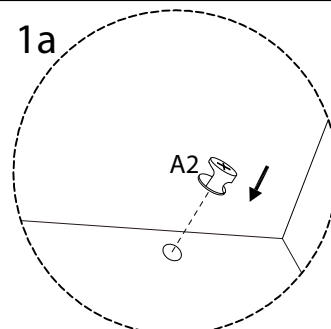
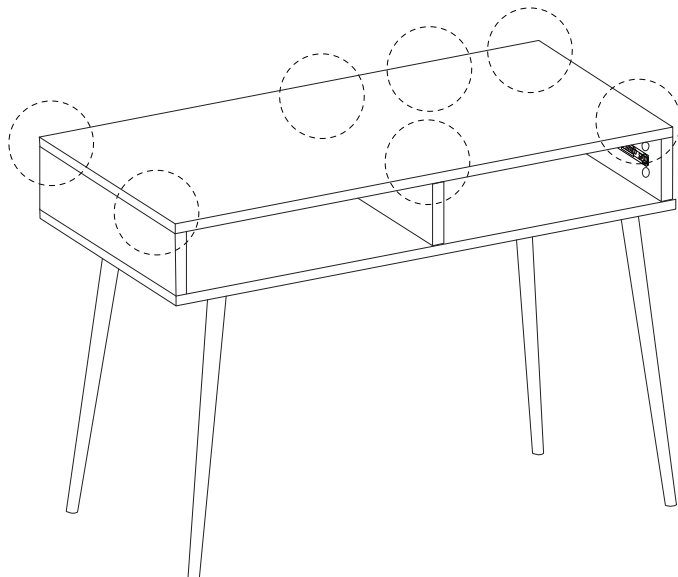
x 7



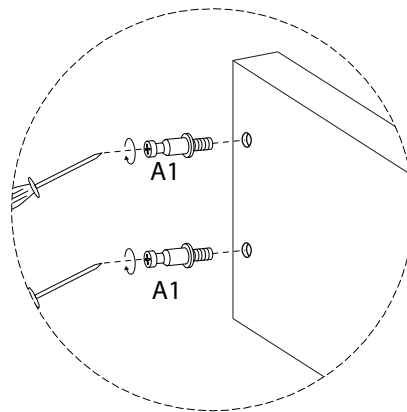
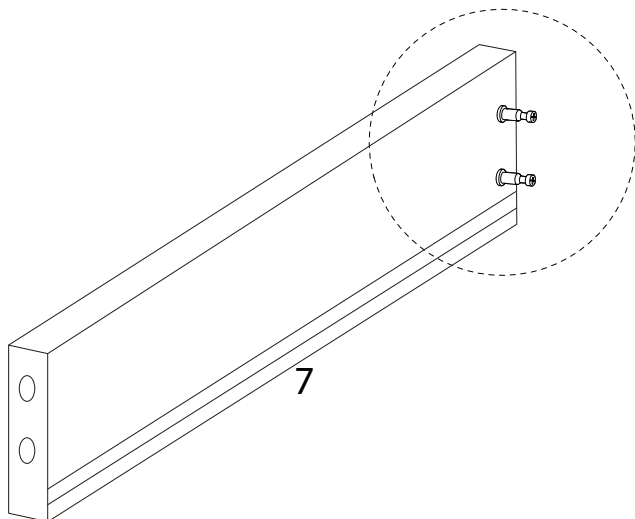
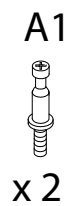
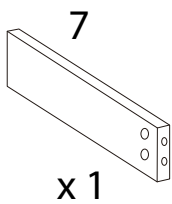
14



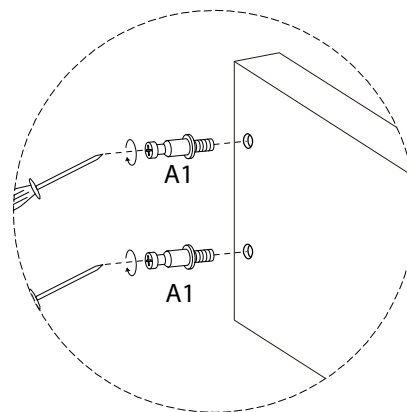
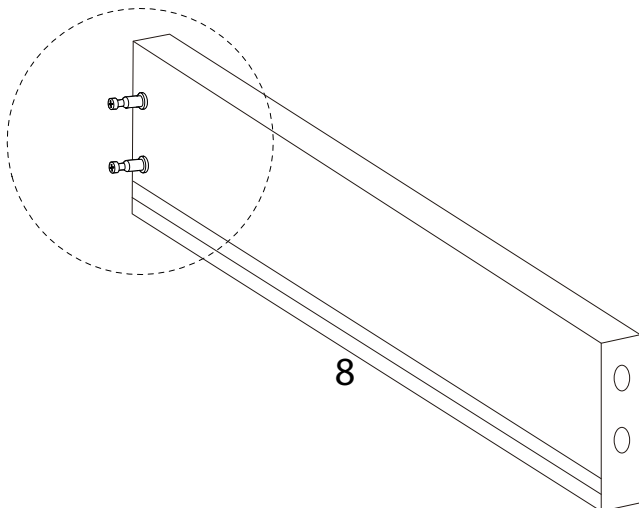
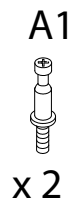
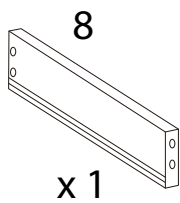
15



16

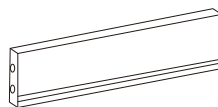


17

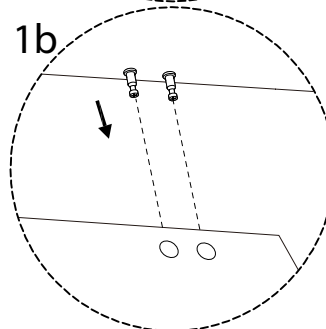
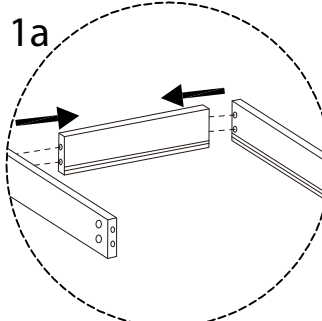
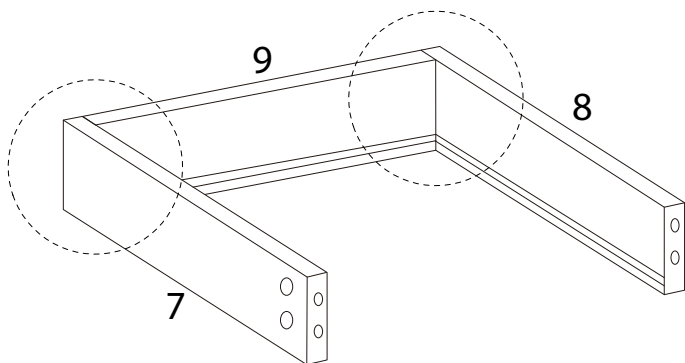


18

9



x 1

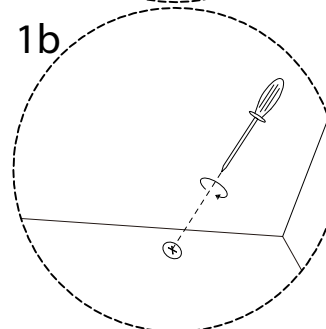
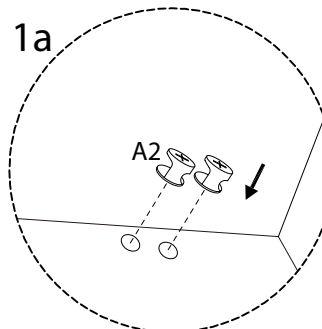
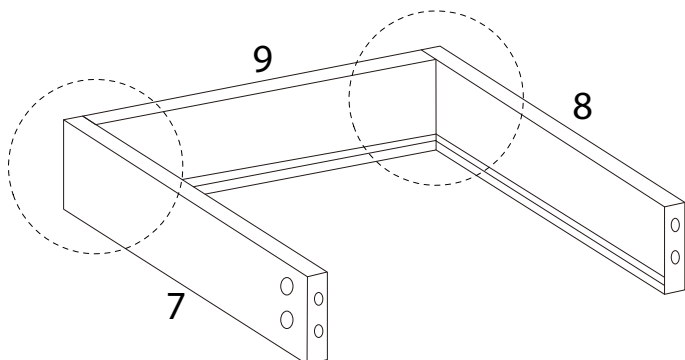


19

A2

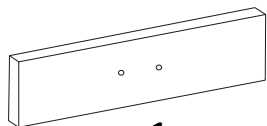


x 4



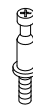
20

6

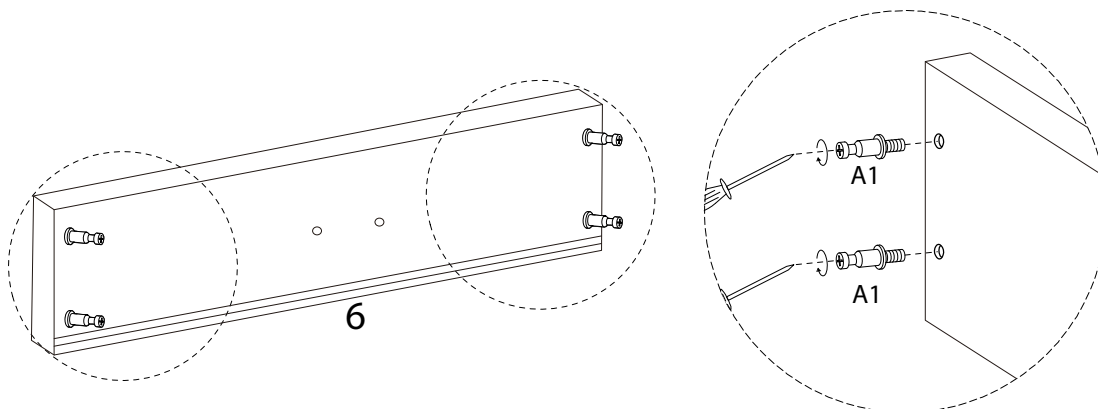


x 1

A1

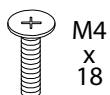


x 4



21

D



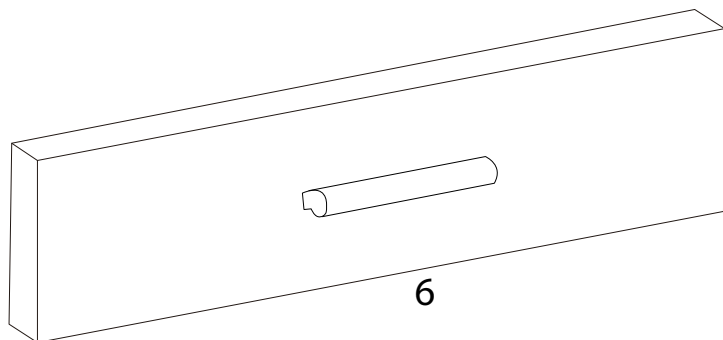
M4  
x 18

x 2

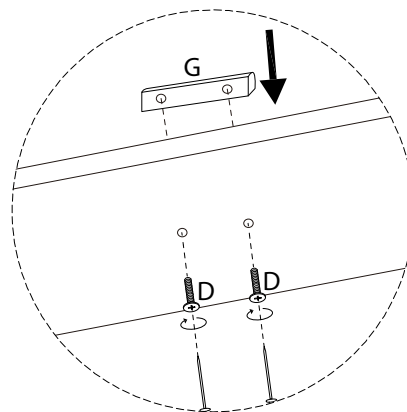
G



x 1

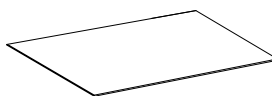


6

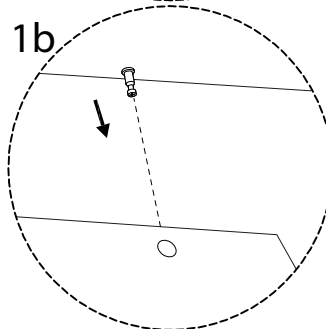
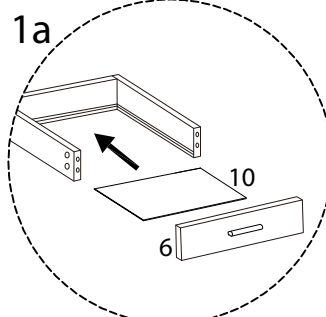
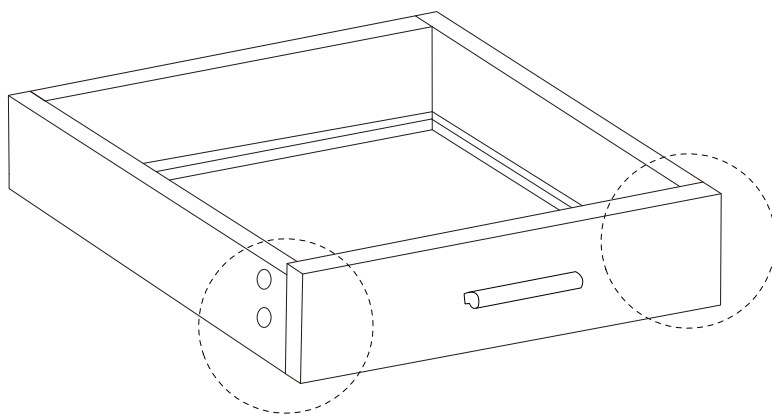


22

10



x 1

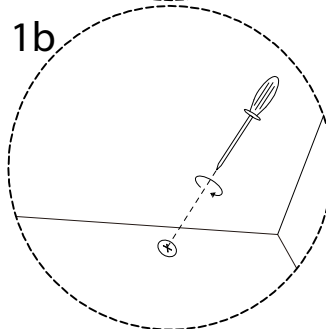
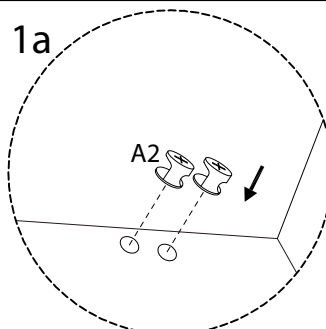
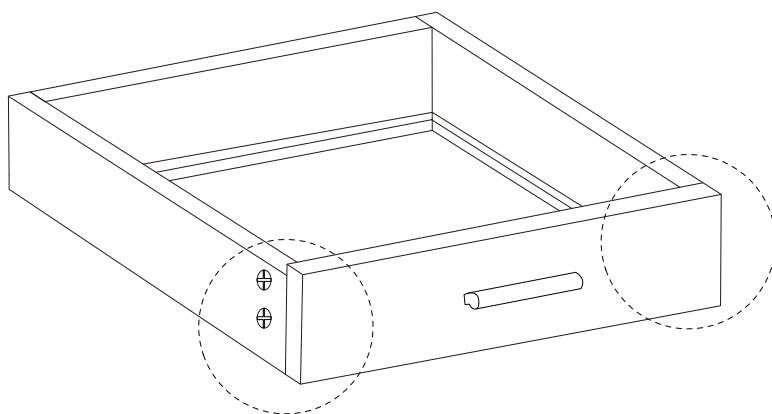


23

A2

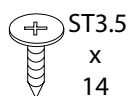


x 4



24

C

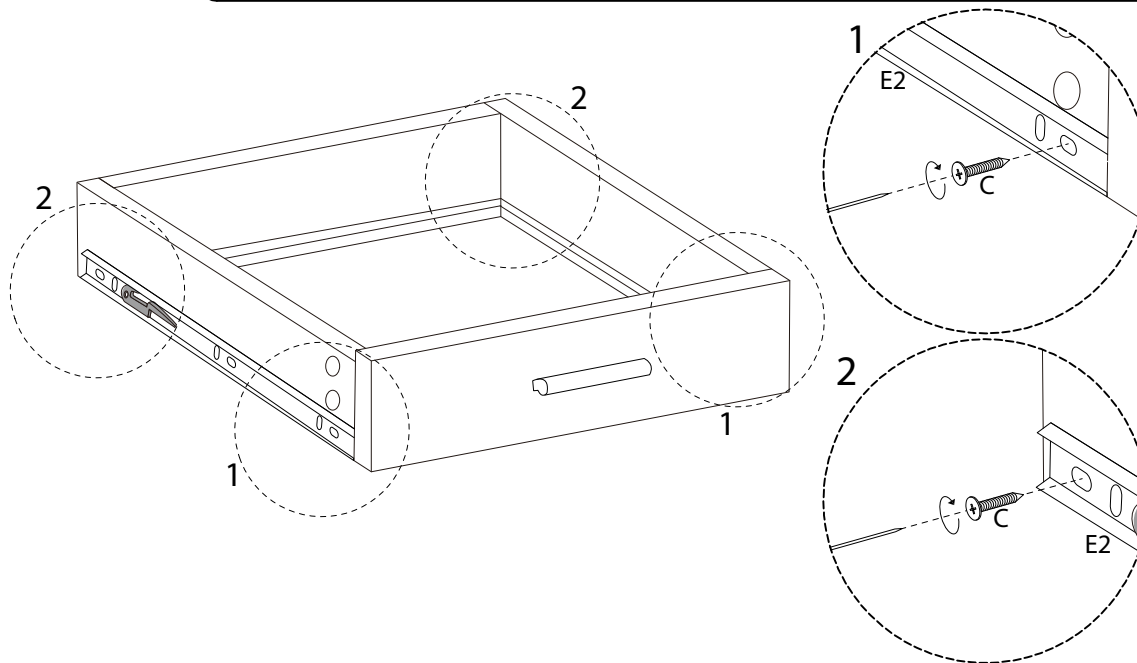


x 4

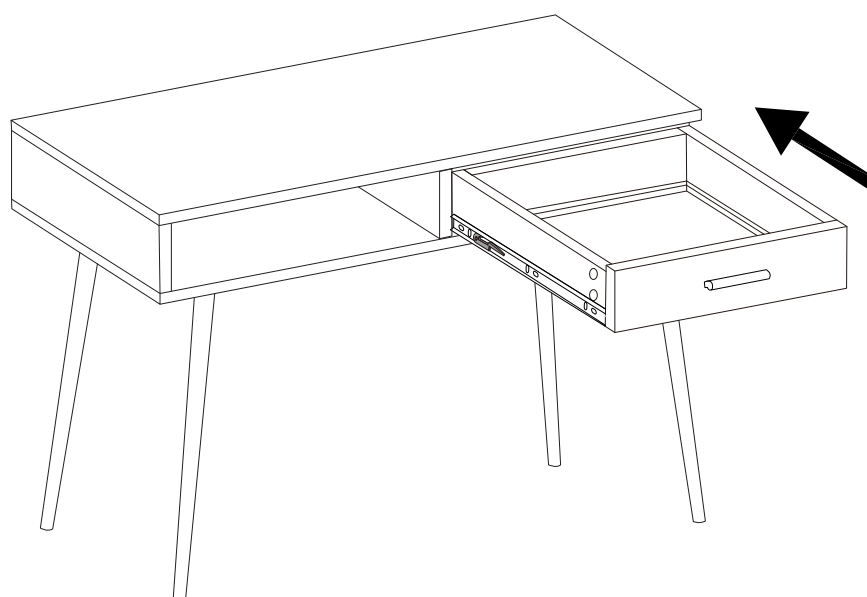
E2



x 2

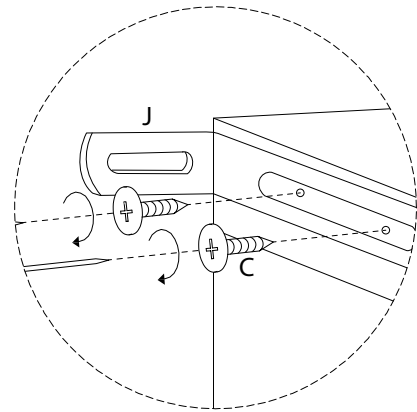
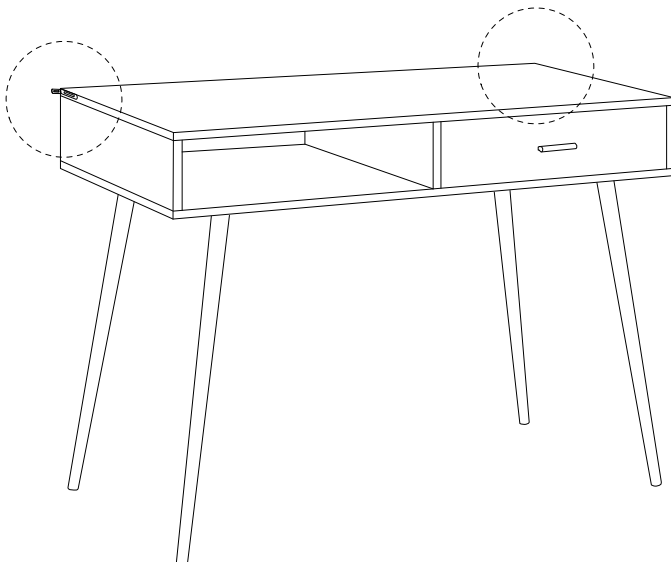
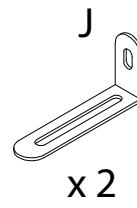
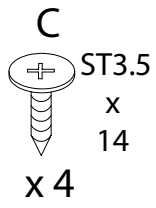


25





26



27

