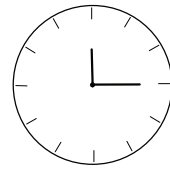
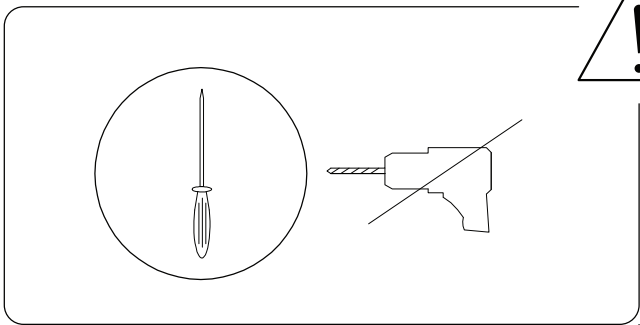
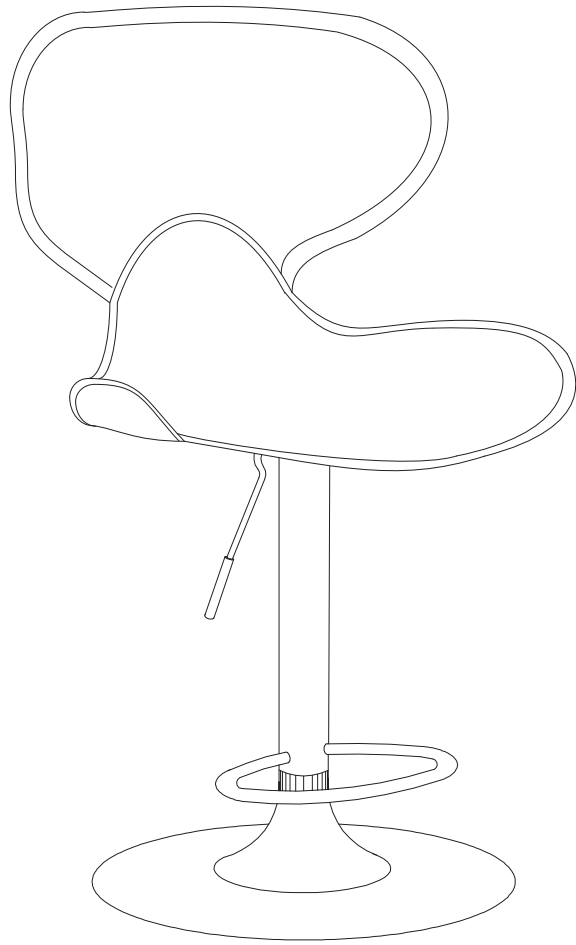
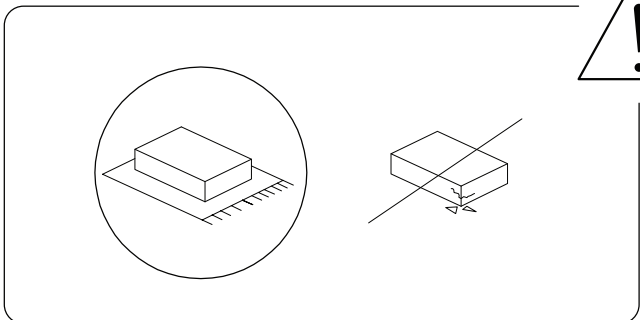


# CONWAY



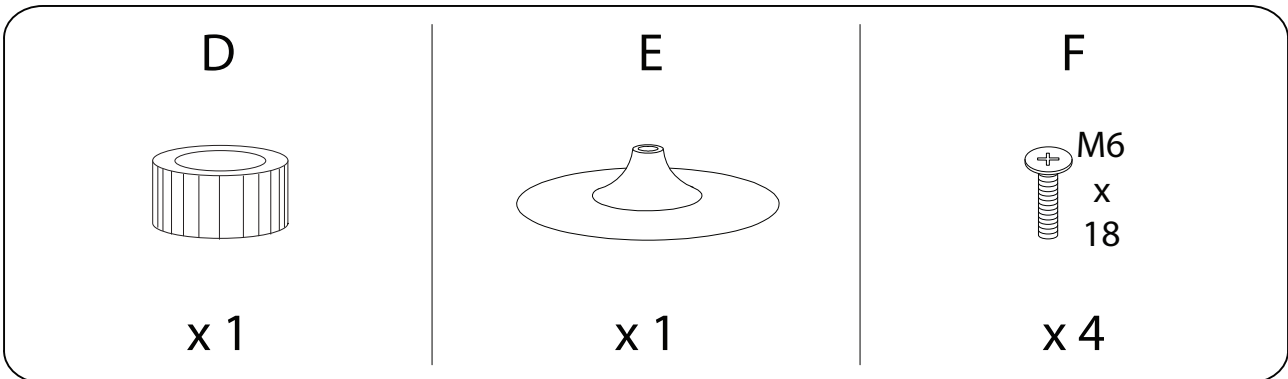
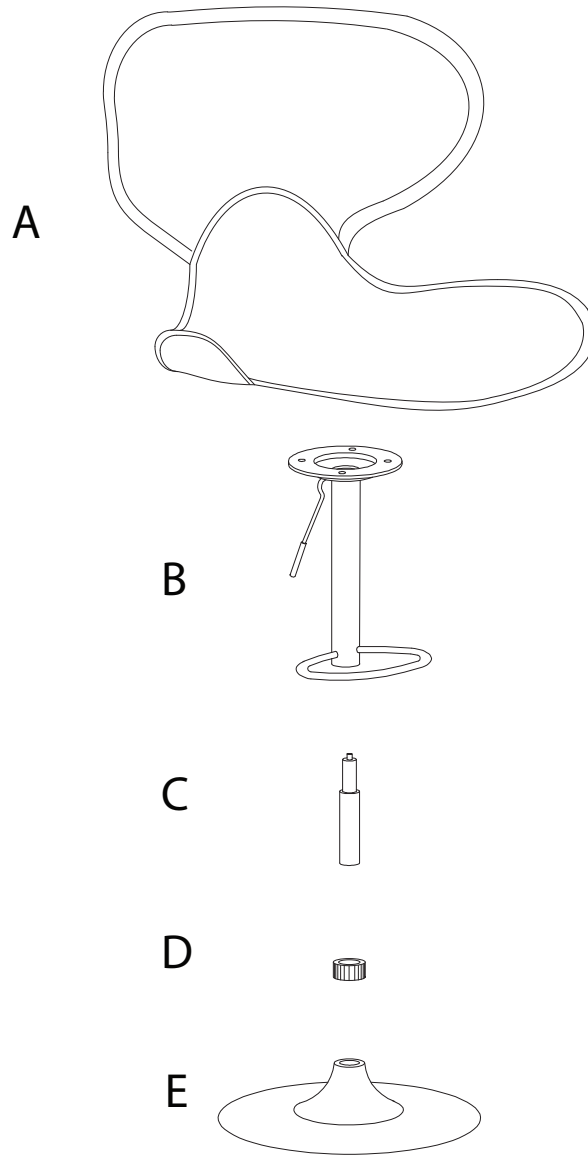
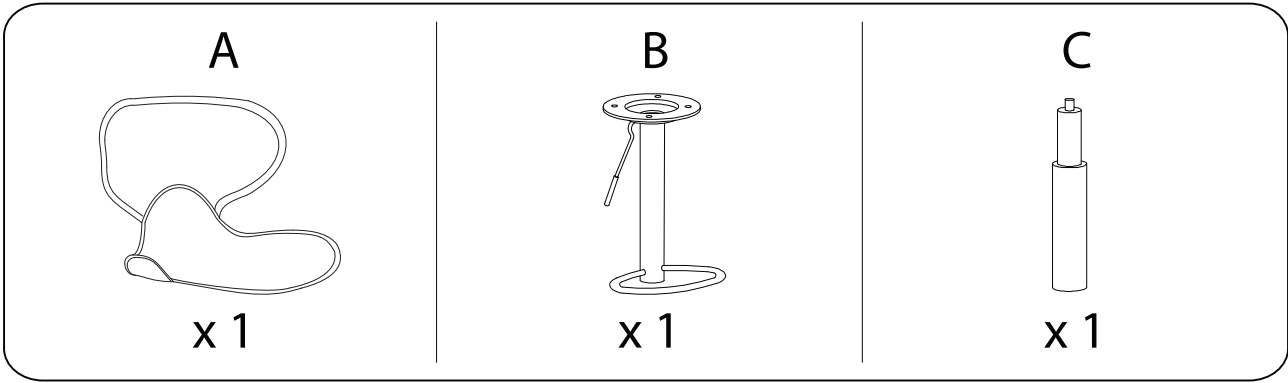


15'

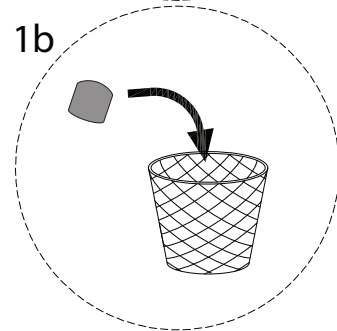
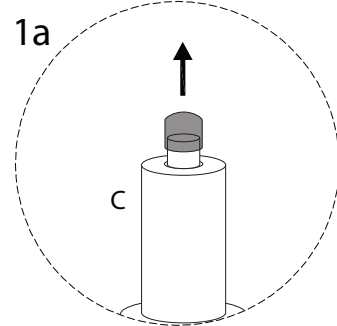
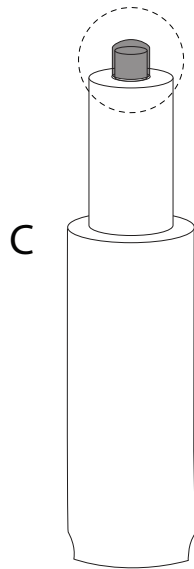


1

1/4



!



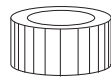
1

C



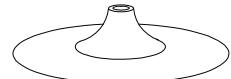
x 1

D

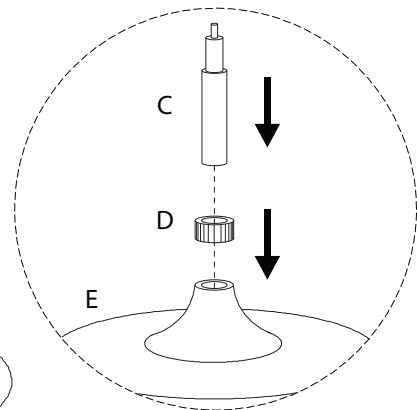
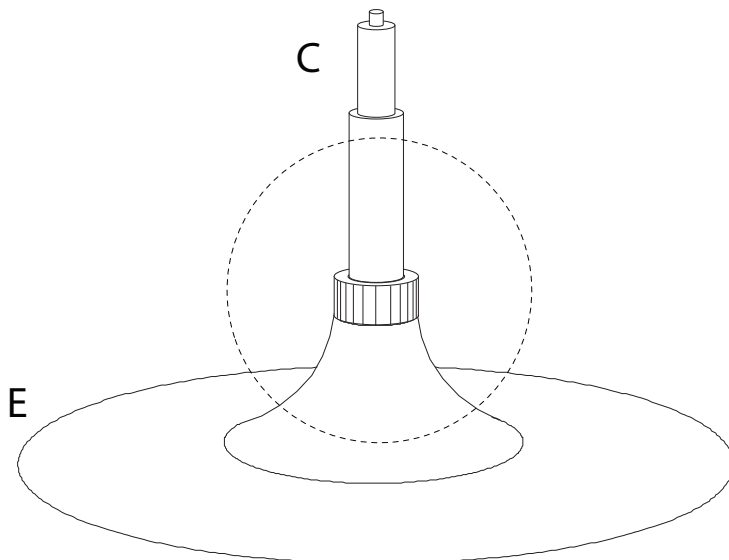


x 1

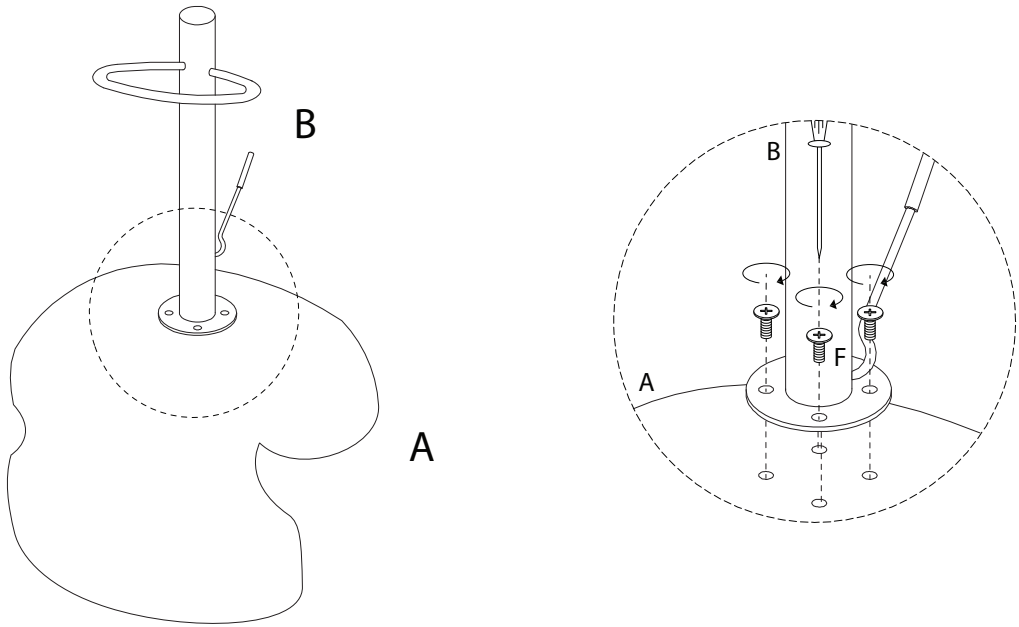
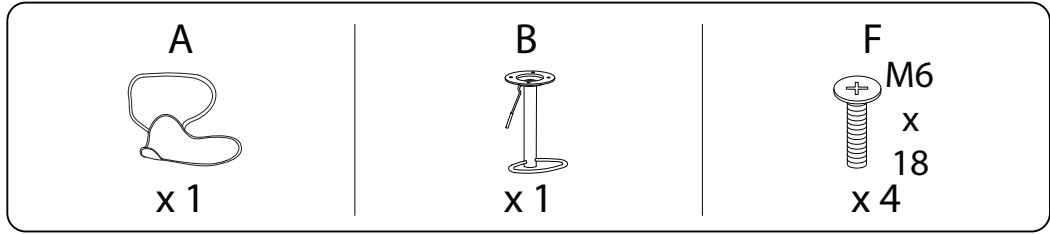
E



x 1



2



3

