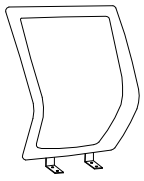
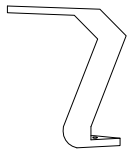

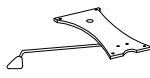
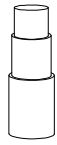

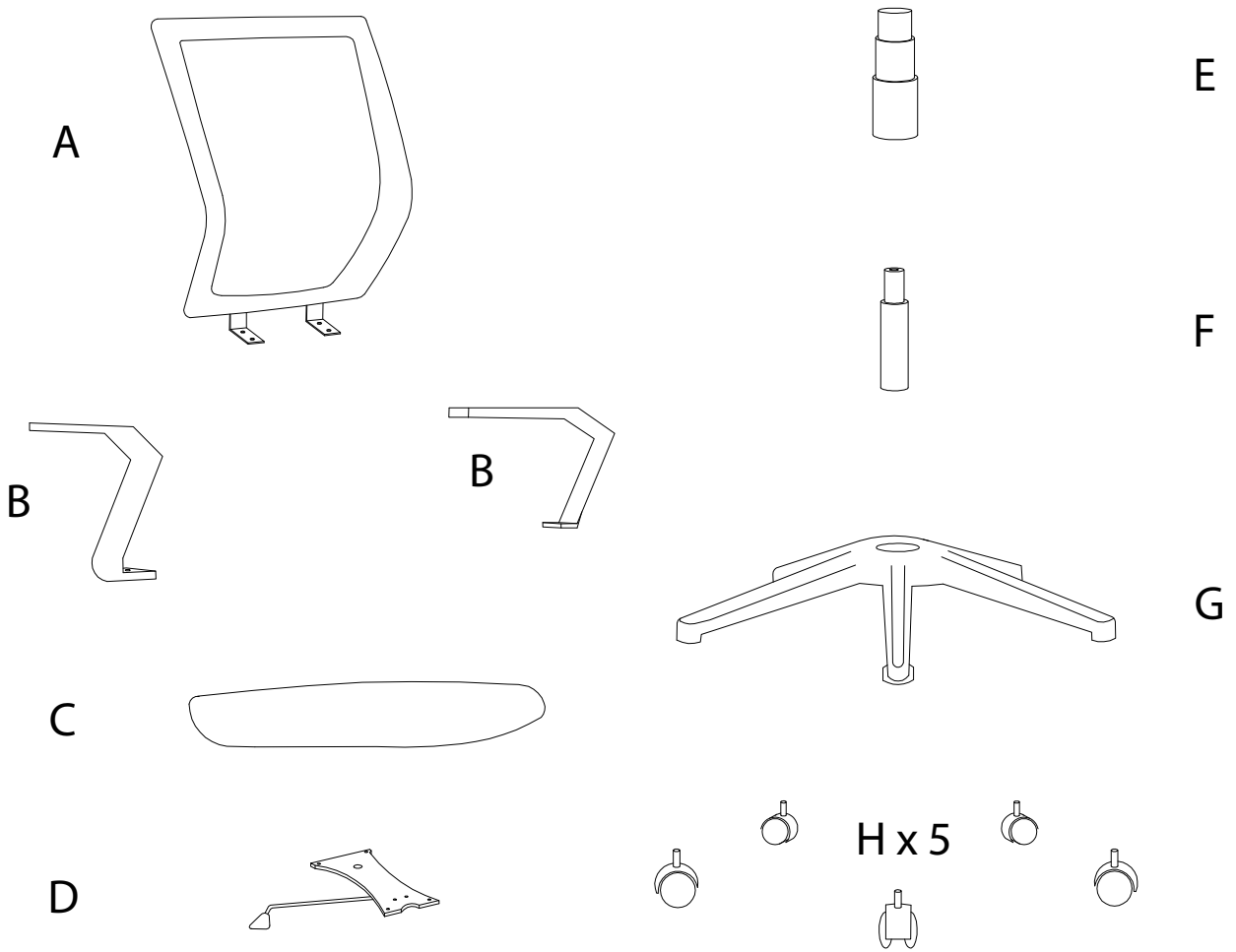


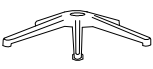
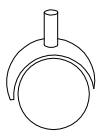
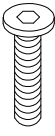
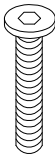
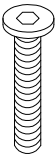
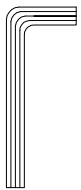


Assembly instructions for the office chair:

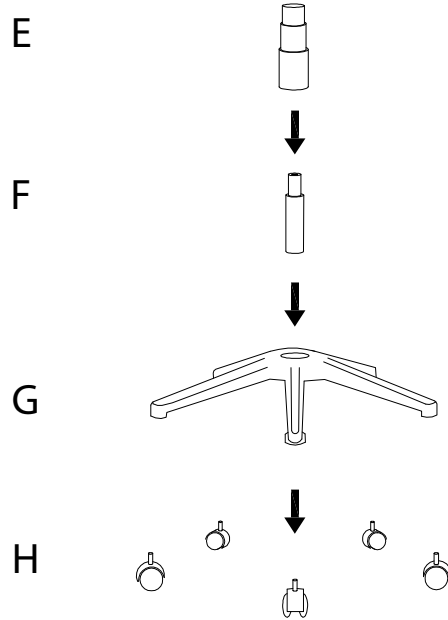
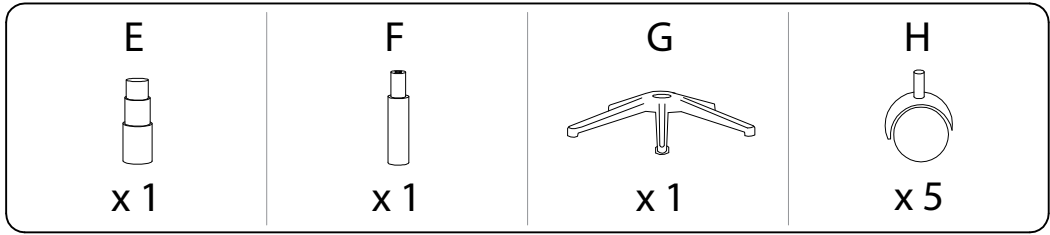
- Warning:** Do not use a power drill. Use an Allen key (shown in a circle) to tighten the base.
- Warning:** Do not place the chair on a soft surface like a rug. Place it on a hard floor (shown in a circle).
- Time:** 30' (30 minutes)
- Personnel:** 1 person

<b>A</b>	<b>B</b>	<b>C</b>	<b>D</b>	<b>E</b>	<b>F</b>
					
<b>x 1</b>	<b>x 2</b>	<b>x 1</b>	<b>x 1</b>	<b>x 1</b>	<b>x 1</b>

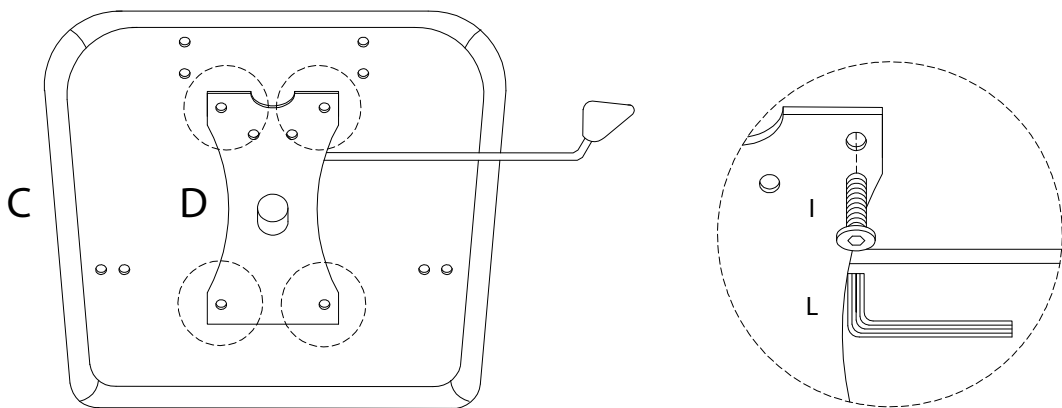
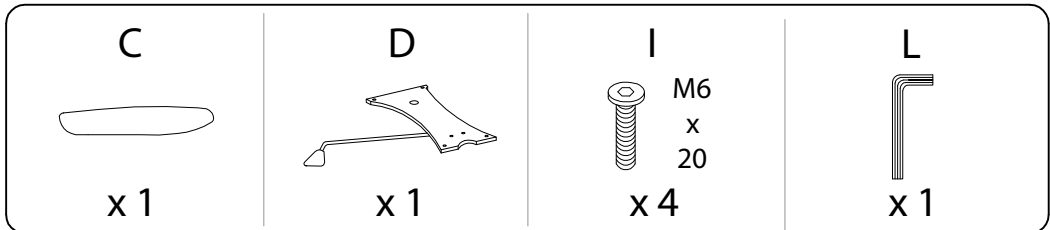


<b>G</b>	<b>H</b>	<b>I</b>	<b>J</b>	<b>K</b>	<b>L</b>
		 M6 x 20	 M6 x 30	 M6 x 30	
<b>x 1</b>	<b>x 5</b>	<b>x 4</b>	<b>x 2</b>	<b>x 8</b>	<b>x 1</b>

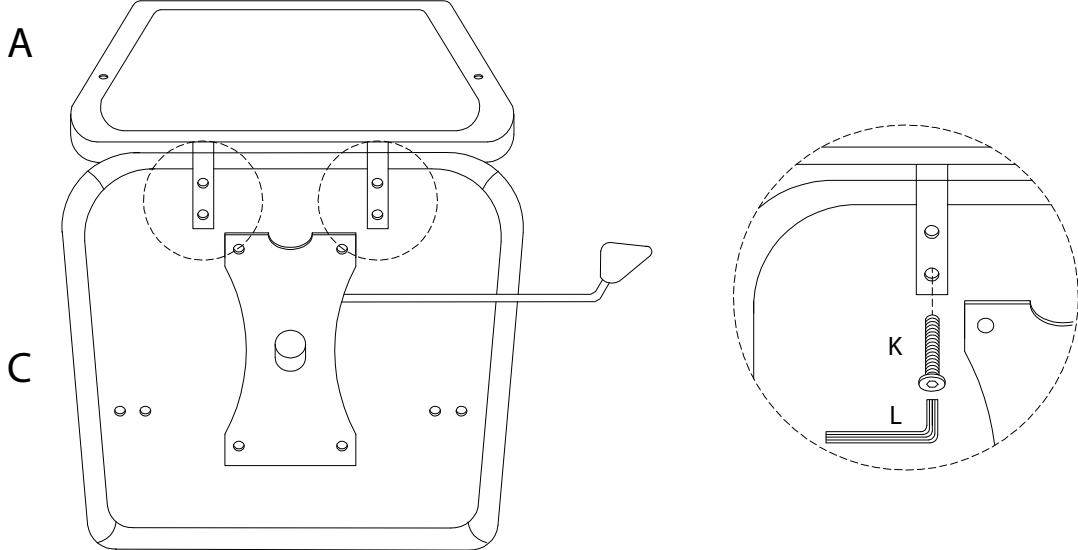
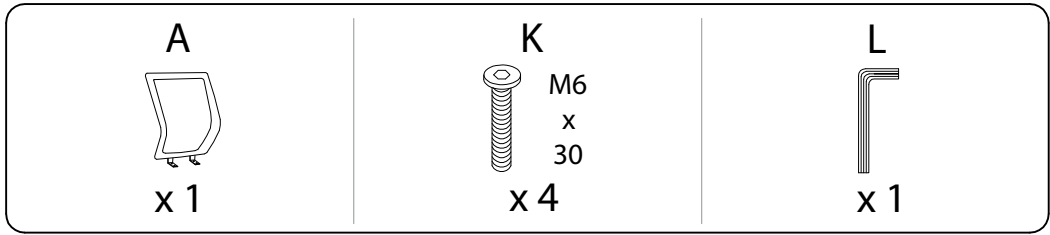
1



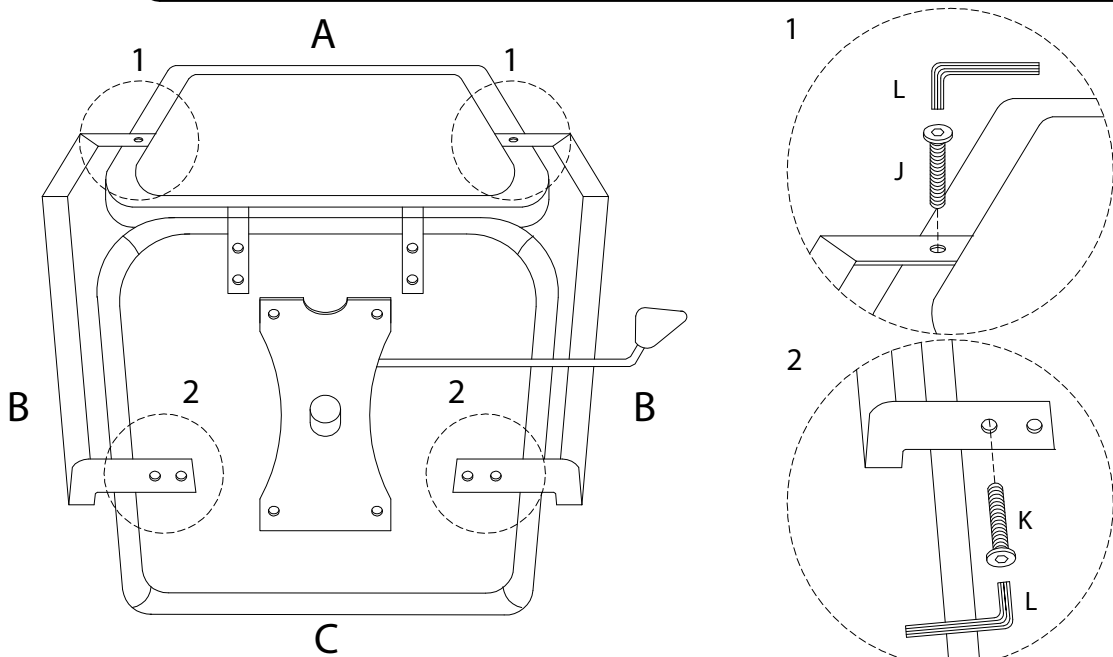
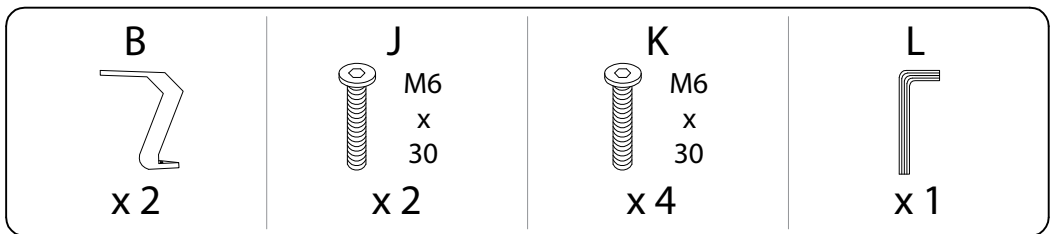
2



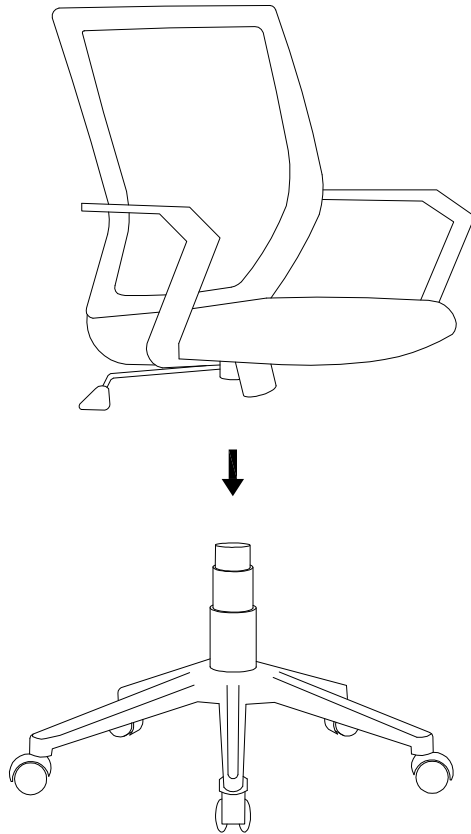
3



4



5



!

