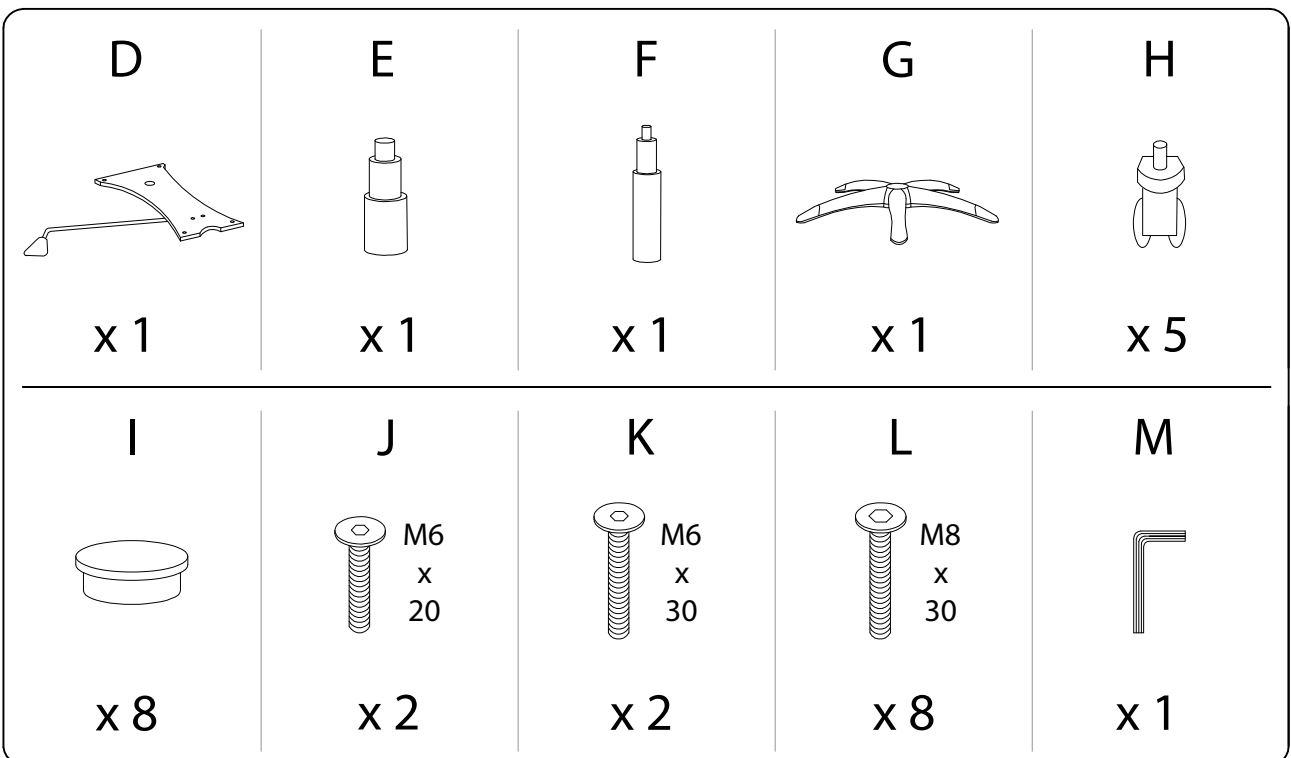
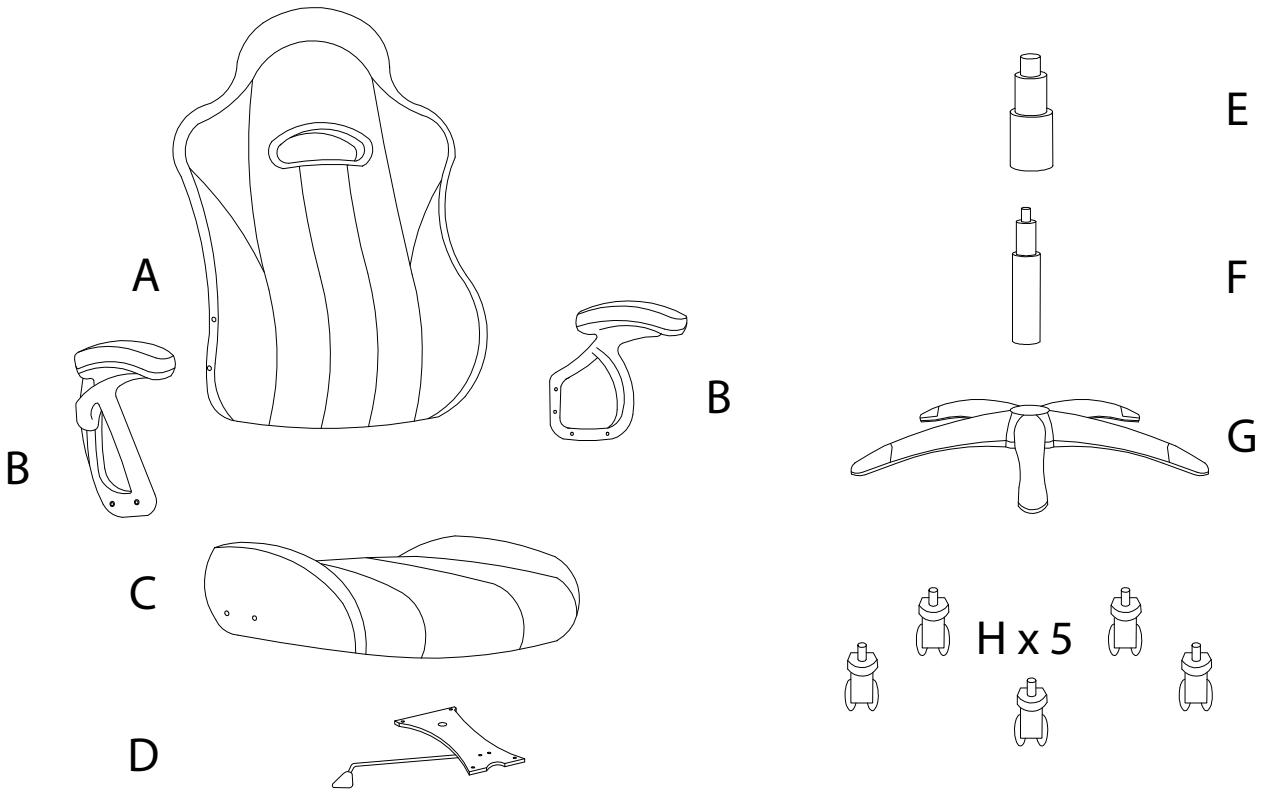
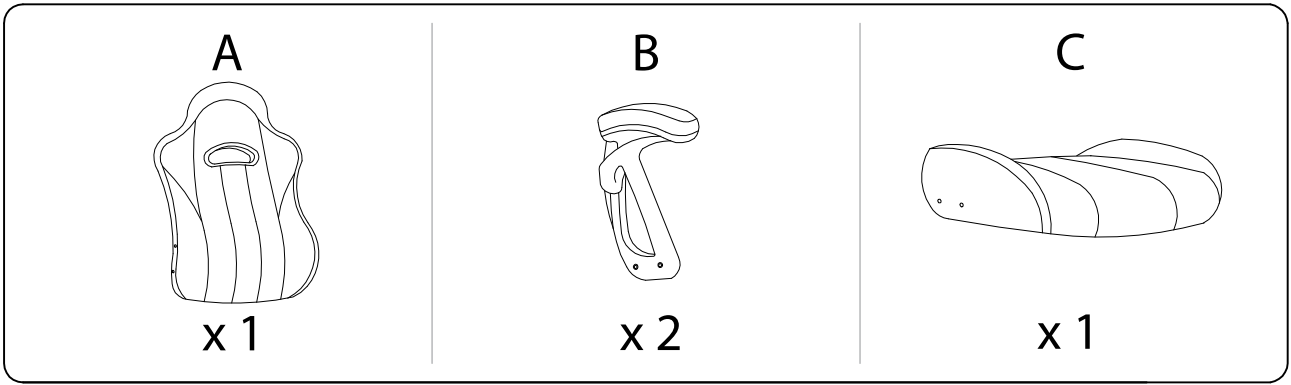


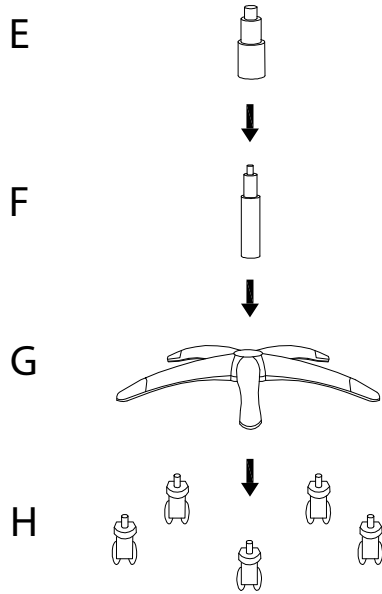
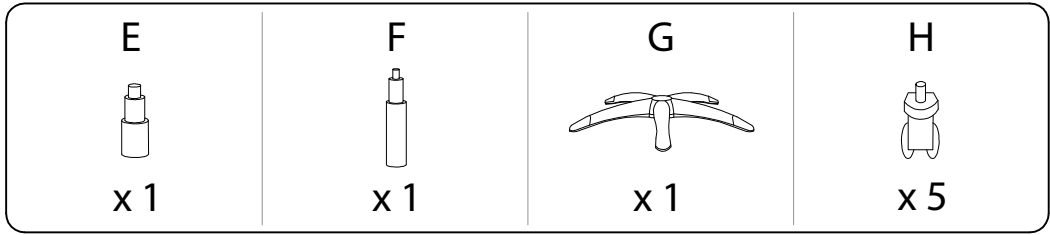


Assembly instructions for step 1/5:

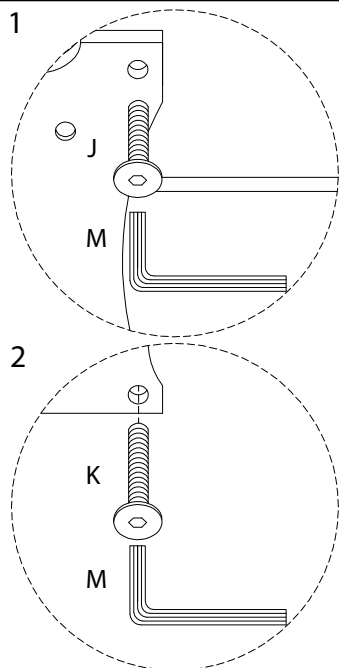
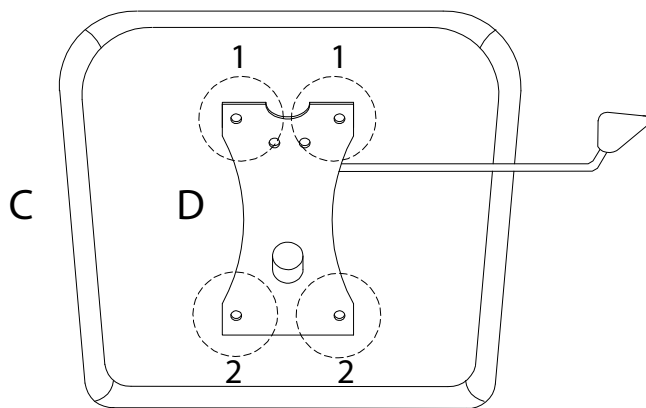
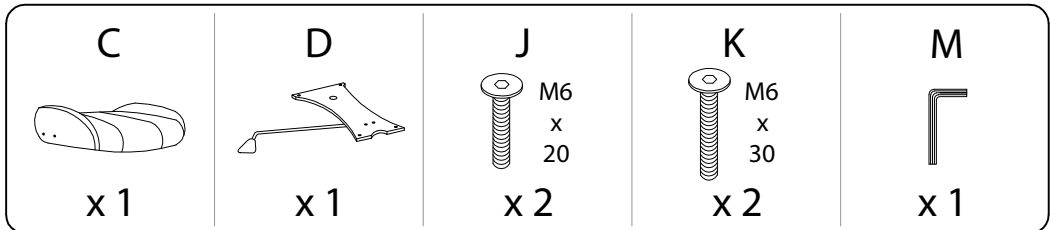
- Warning 1:** Do not use a power drill. Use an Allen key (shown in a circle) to tighten the backrest.
- Warning 2:** Do not use a power drill to attach the seat to the base. The seat is shown being placed on the base.
- Time:** 30 minutes (indicated by a clock icon).
- Personnel:** 1 person (indicated by a person icon).



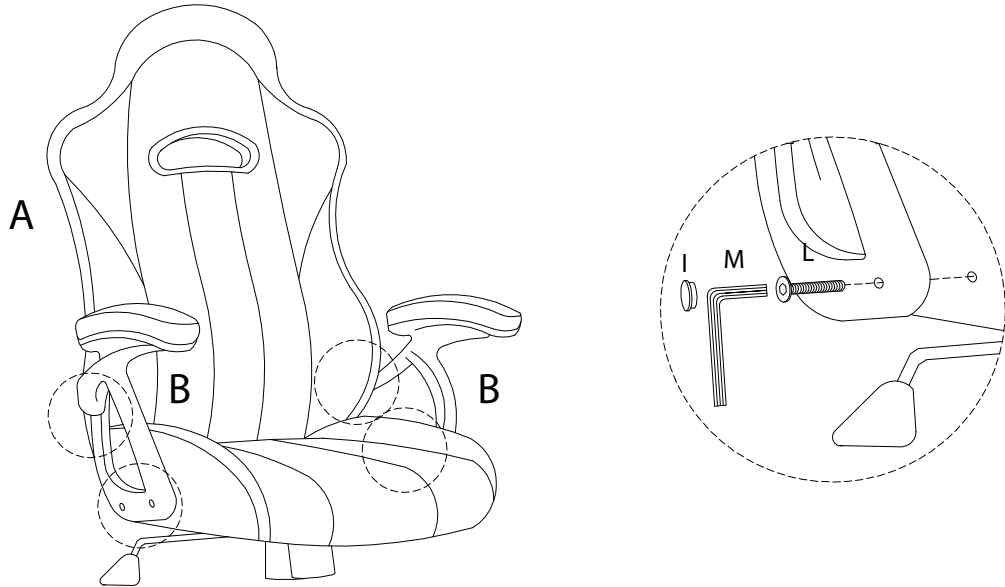
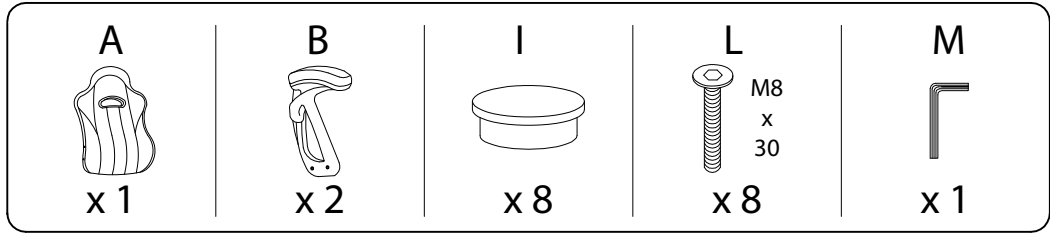
1



2



3



4

