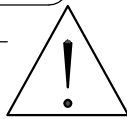
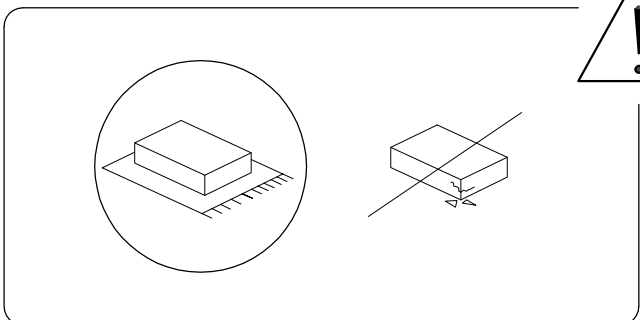
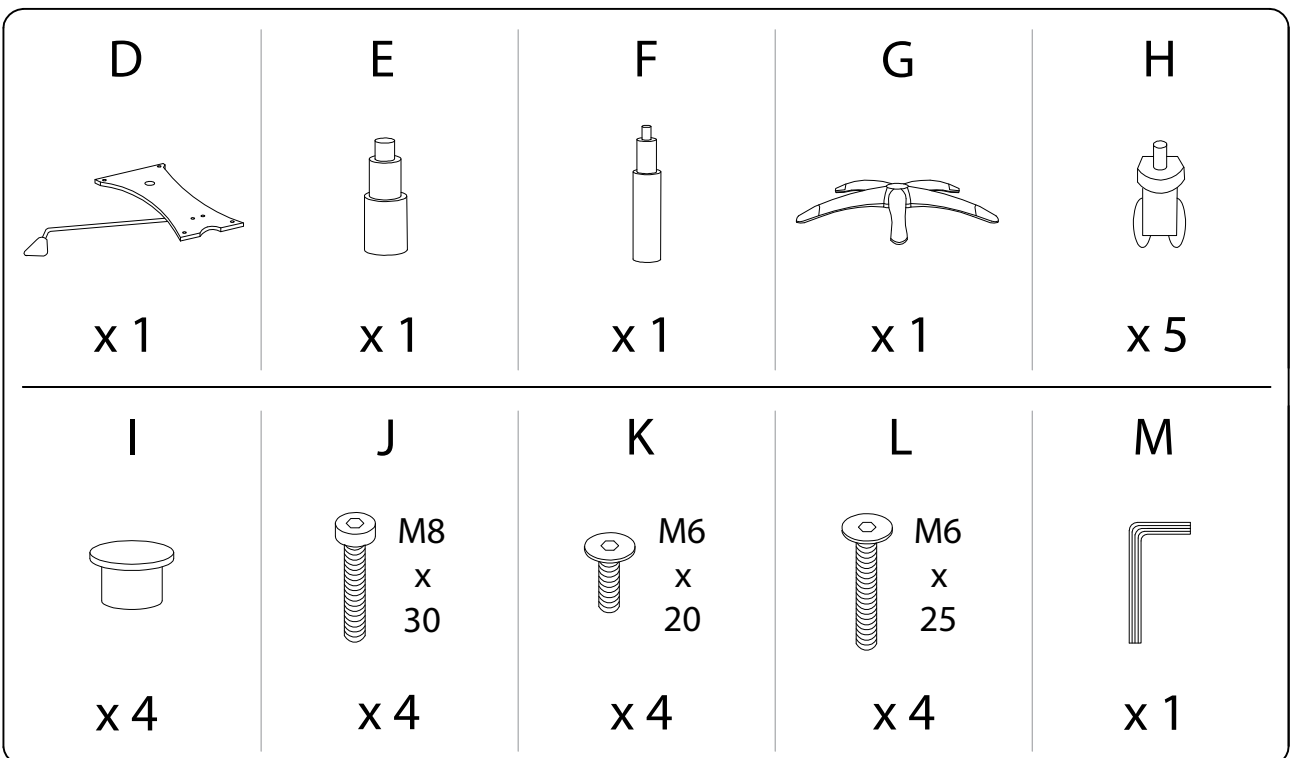
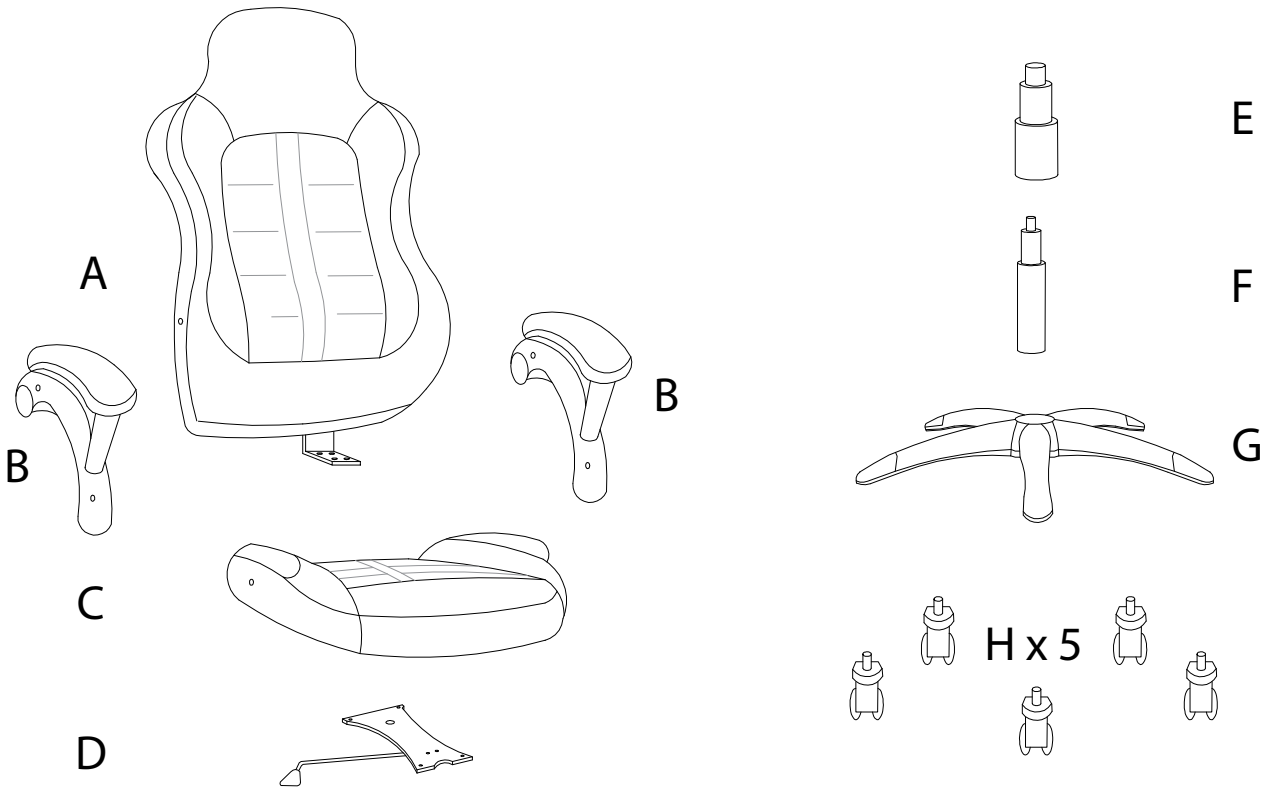
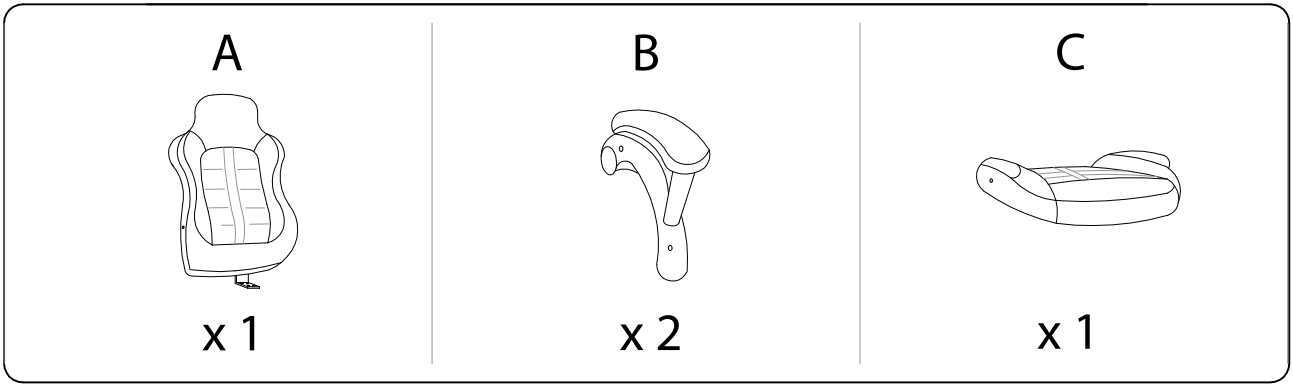


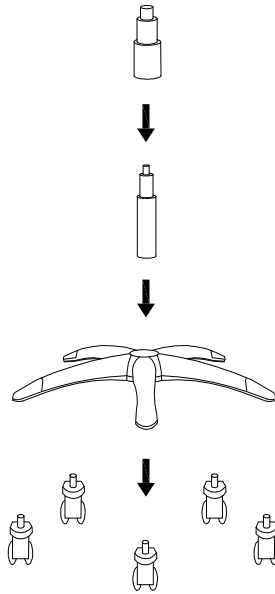
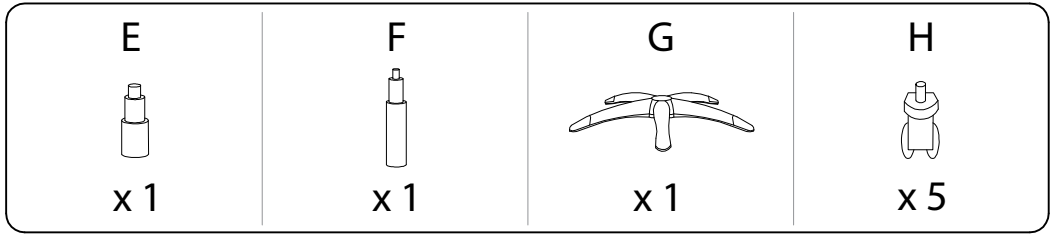
30'



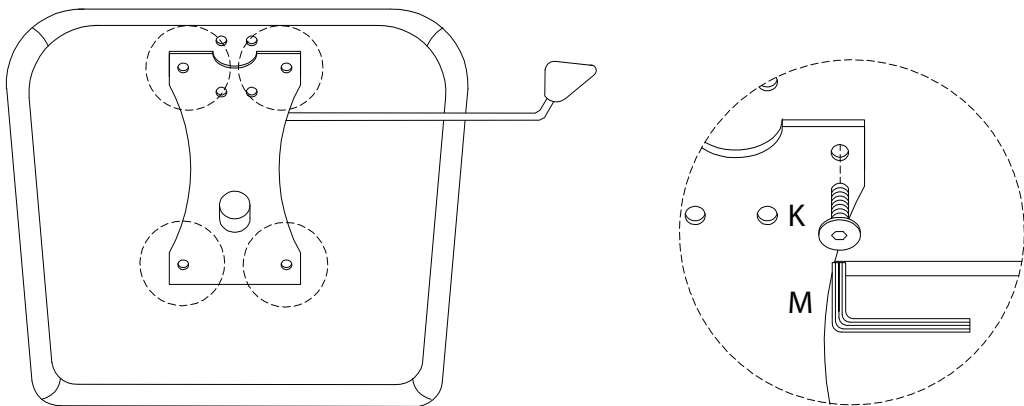
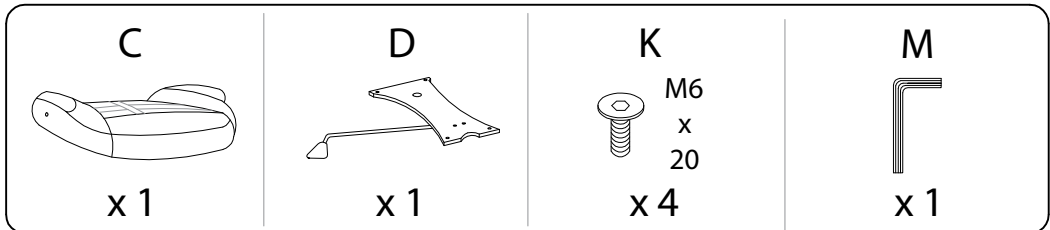
1



1



2



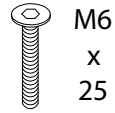
3

A



x 1

L

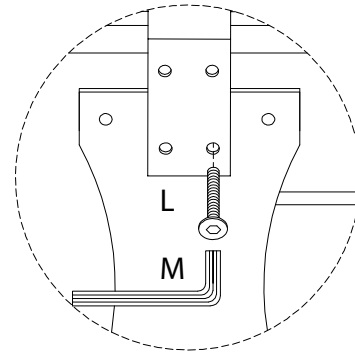
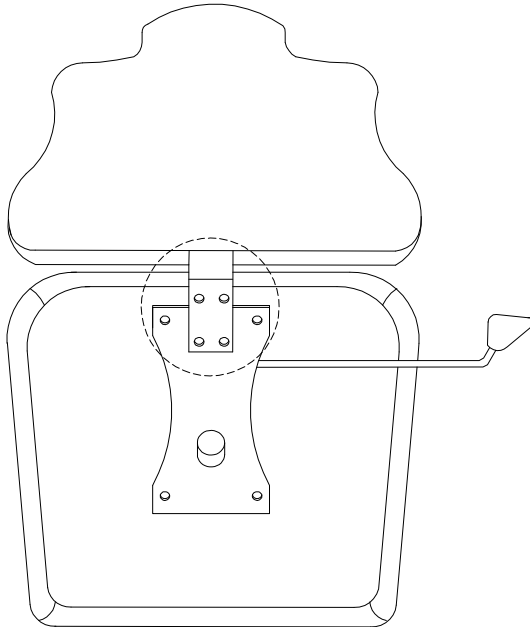


x 4

M



x 1



4

B



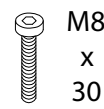
x 2

I



x 4

J

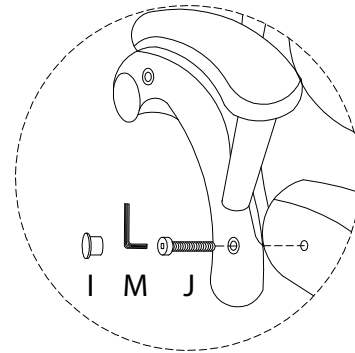
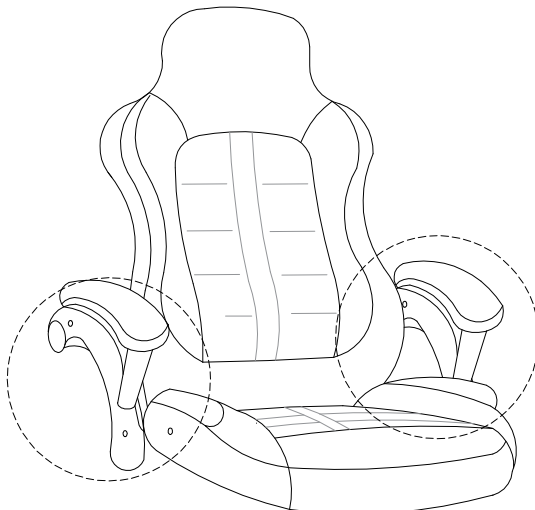


x 4

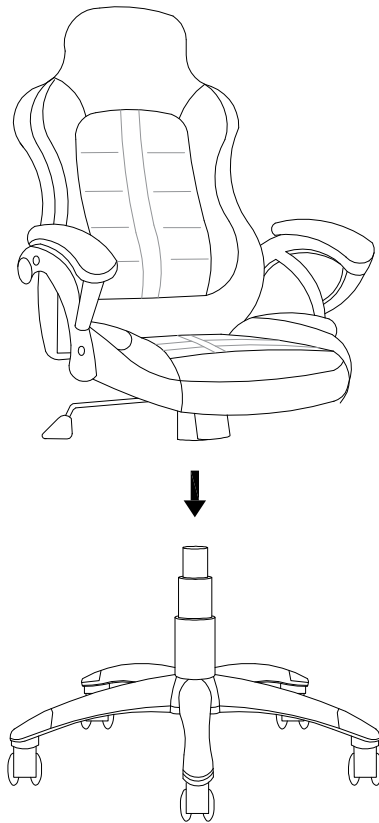
M



x 1



5



!

