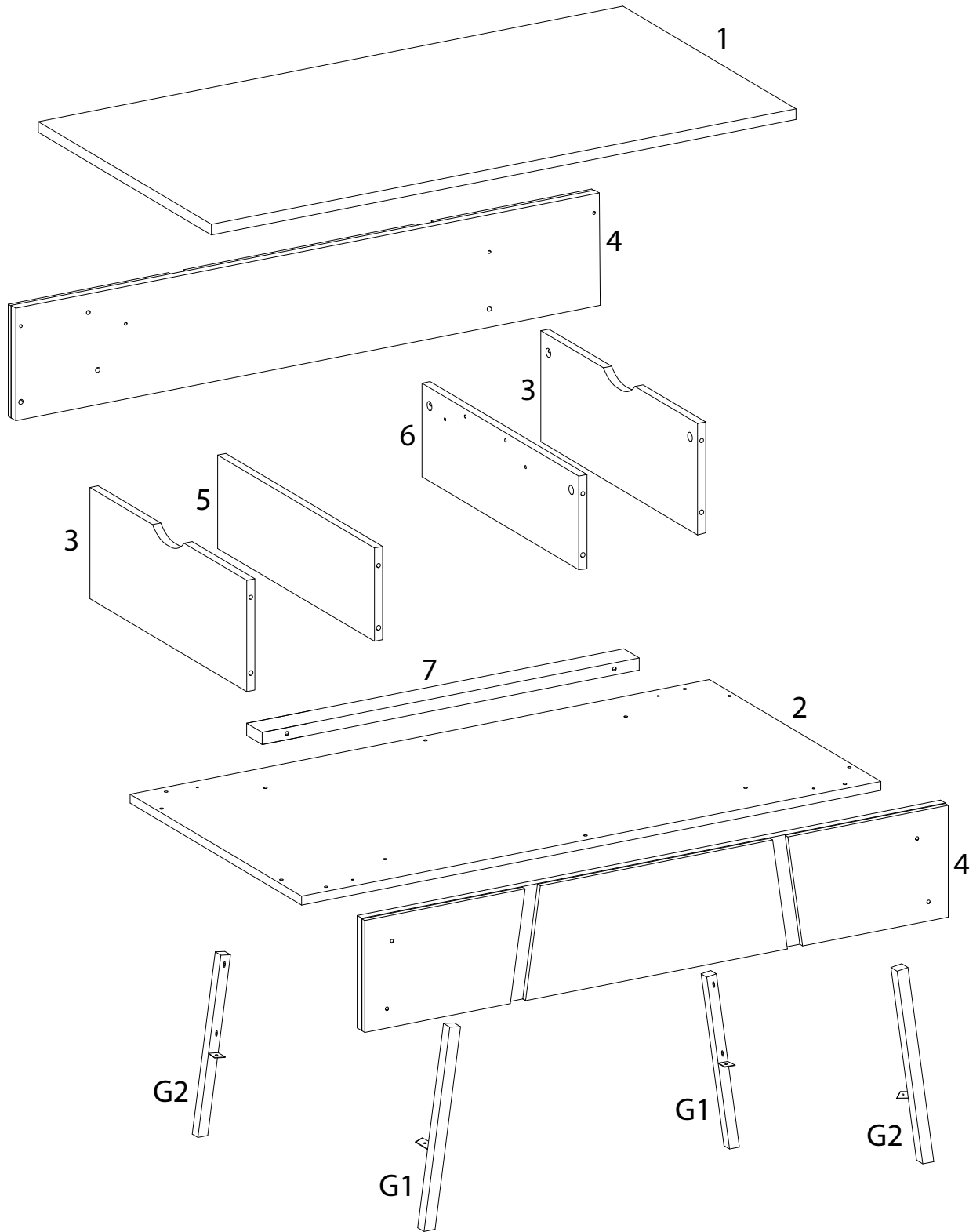


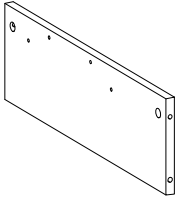
Assembly instructions for step 1/9:

- Tools: A screwdriver is required, while a power drill is not. (Indicated by a circle with a screwdriver and a crossed-out power drill, with a warning triangle above).
- Time: The step takes 45 minutes. (Indicated by a clock icon and the text "45'").
- Personnel: One person is required for assembly. (Indicated by a person icon and the number "1").
- Warning: A warning triangle is present above the second instruction box.



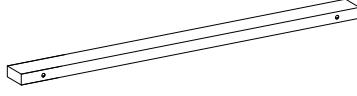
1	2	3	4	5
x 1	x 1	x 2	x 2	x 1

6



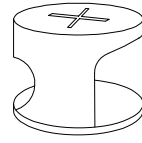
x 1

7



x 1

A



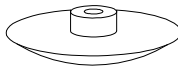
x 8

B



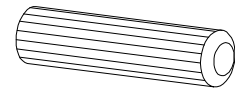
x 8

C



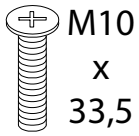
x 8

D



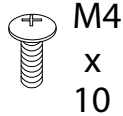
x 20

E



x 14

F



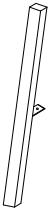
x 4

G1



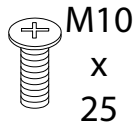
x 2

G2



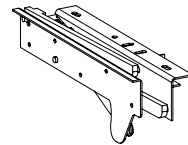
x 2

H



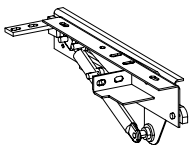
x 2

I1



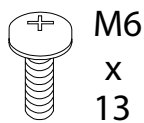
x 1

I2



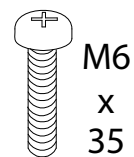
x 1

J



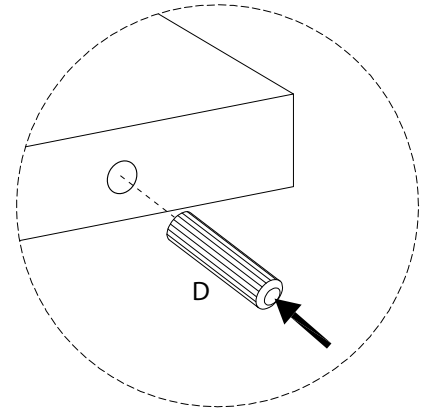
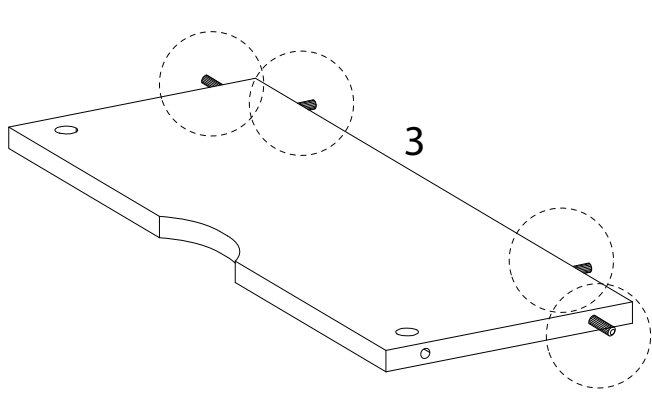
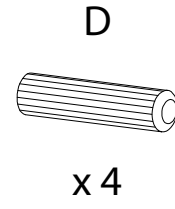
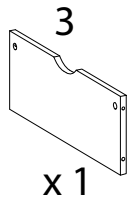
x 12

K

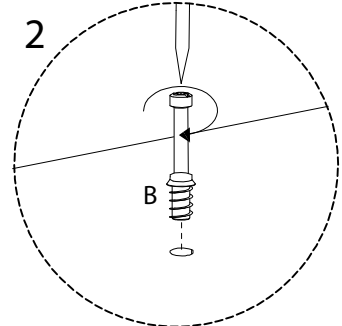
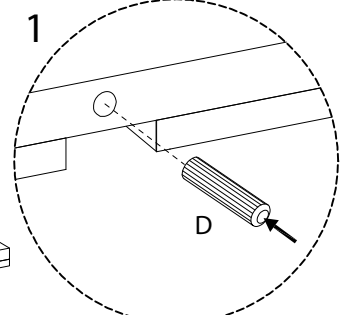
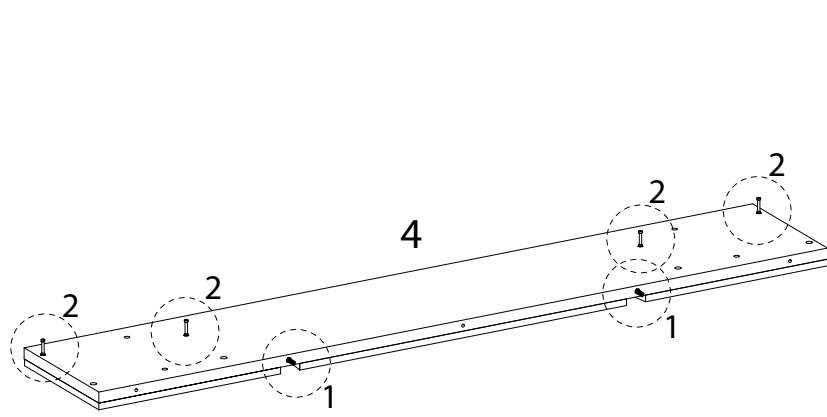
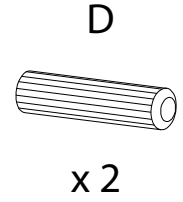
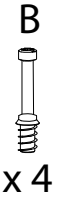
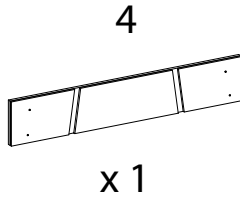


x 8

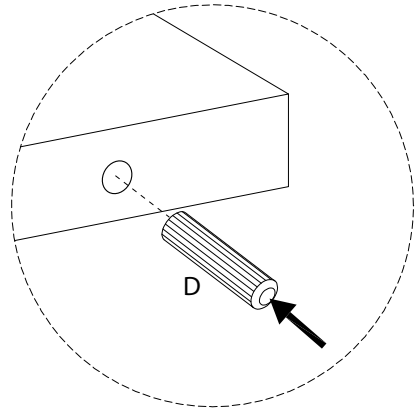
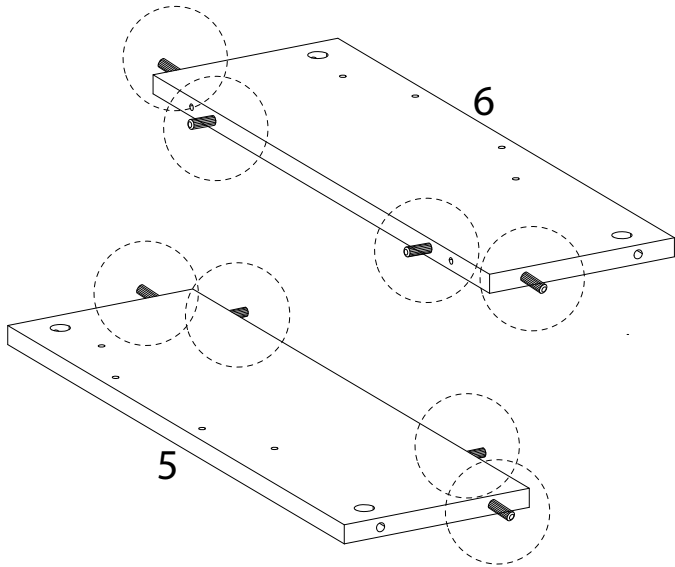
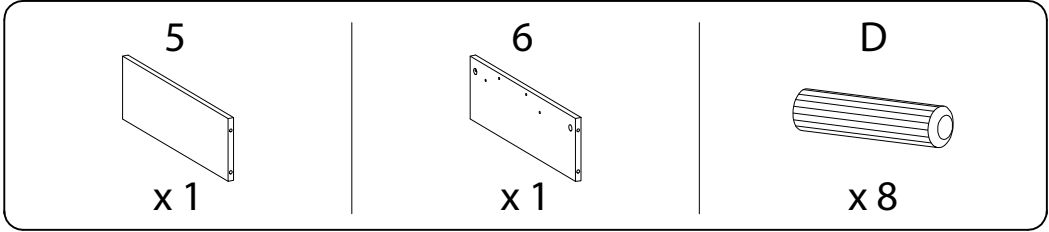
1 x 2



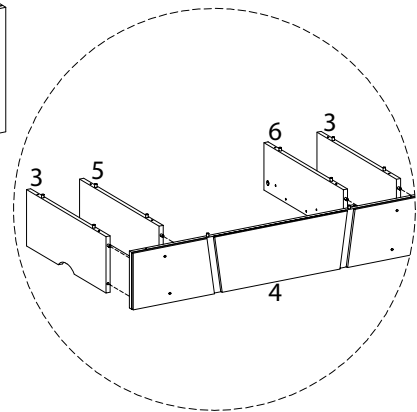
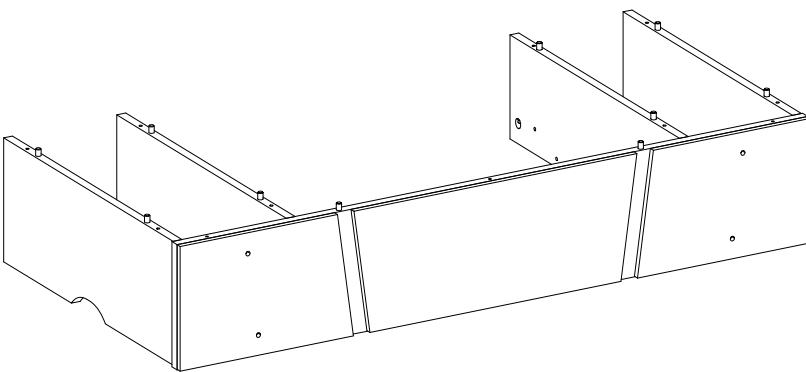
2 x 2



3



4



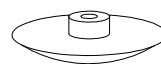
5

A

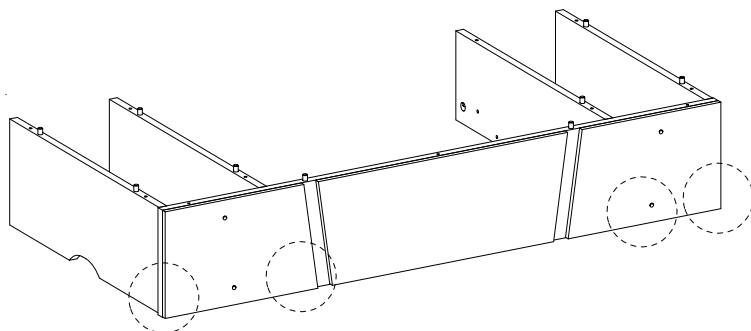


x4

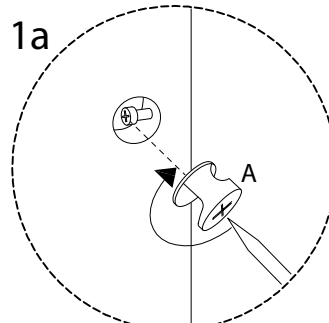
C



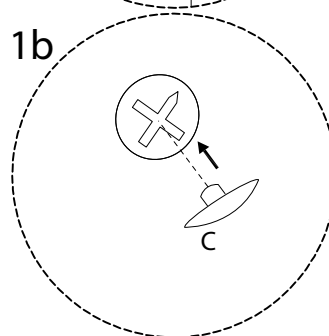
x4



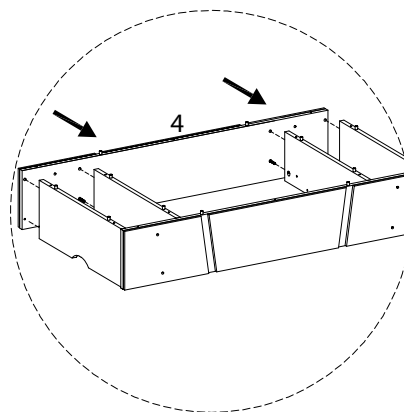
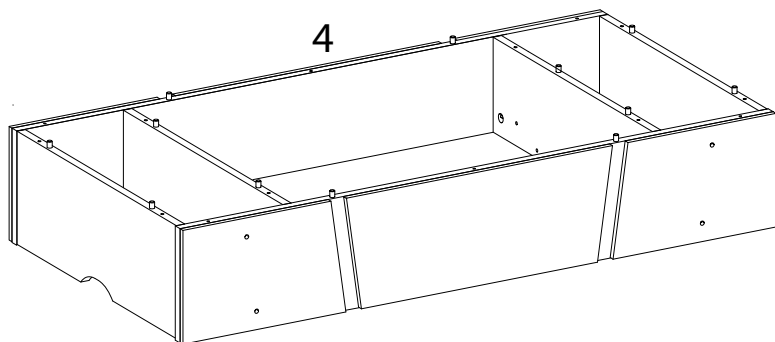
1a



1b



6



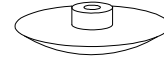
7

A

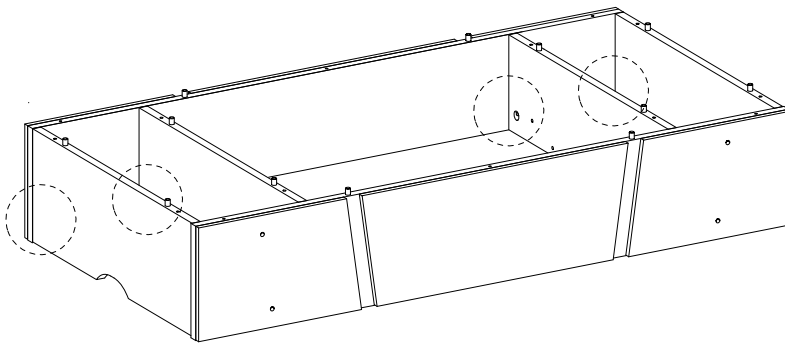


x 4

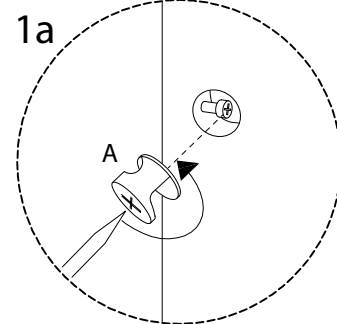
C



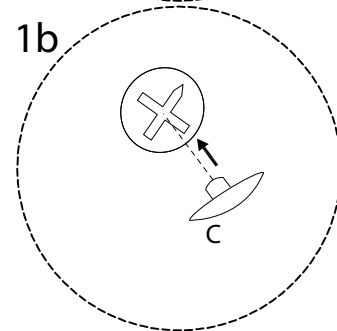
x 4



1a

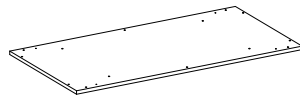


1b



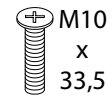
8

2

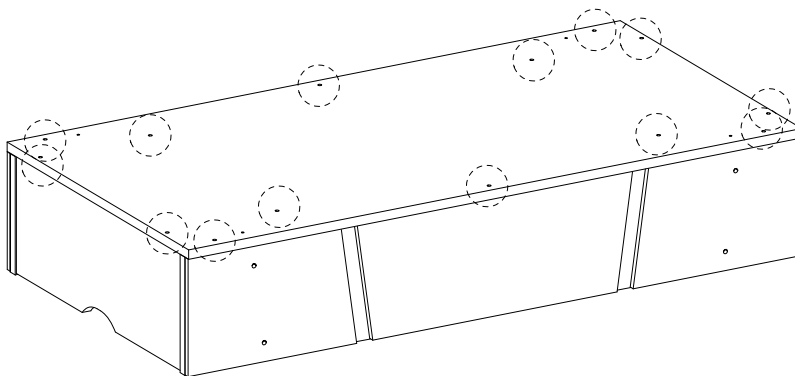


x 1

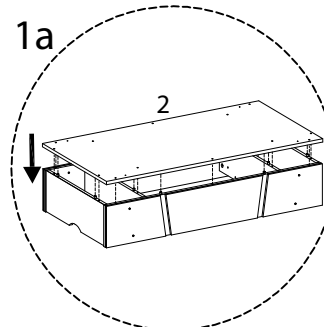
E



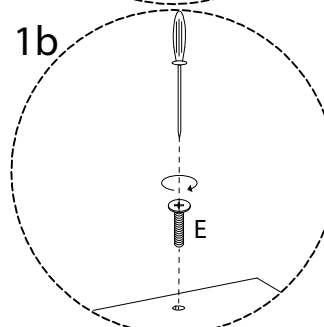
x 14



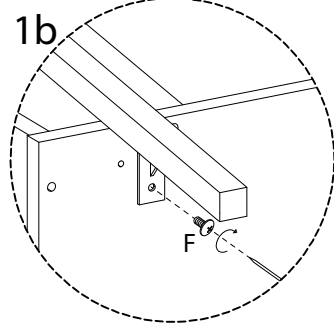
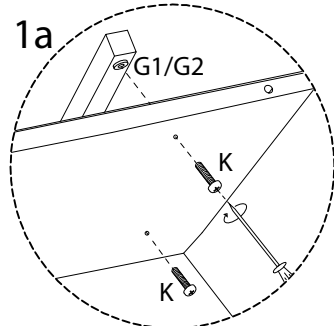
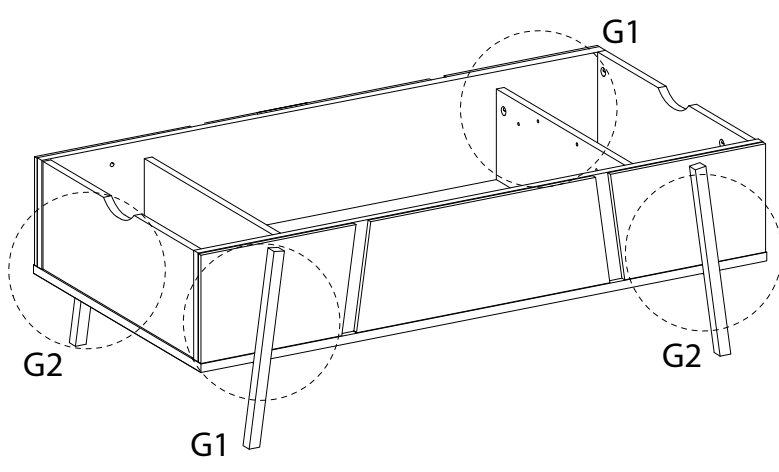
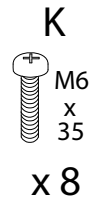
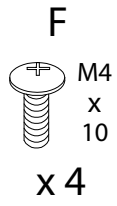
1a



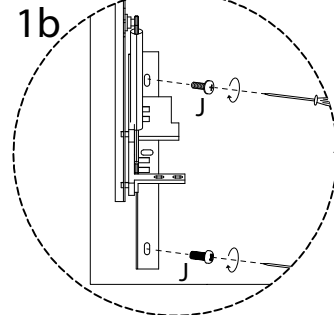
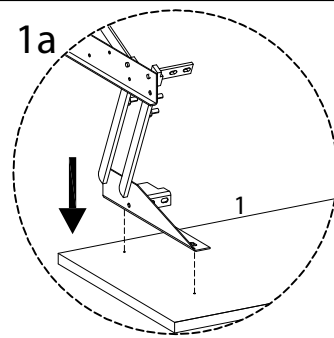
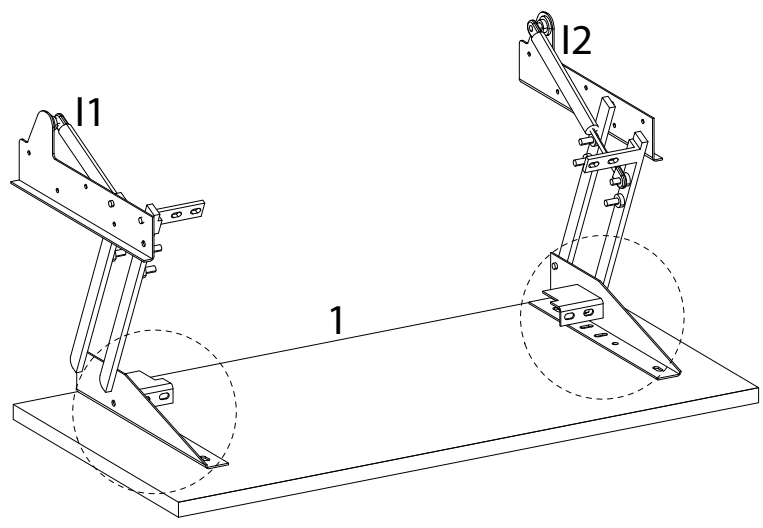
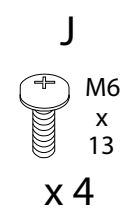
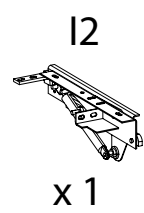
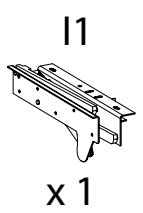
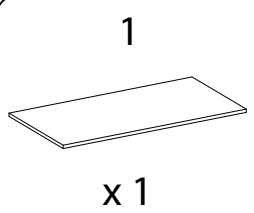
1b



9

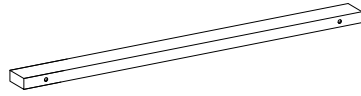


10



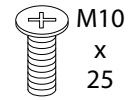
11

7

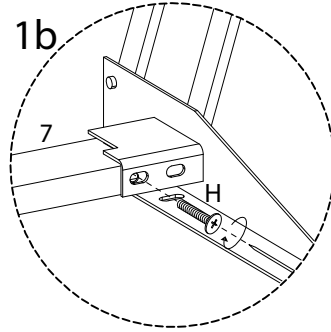
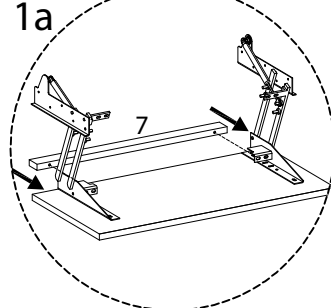
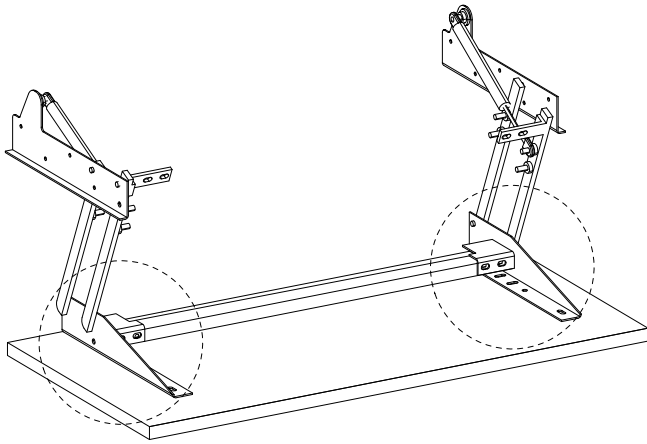


x 1

H

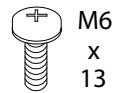


x 2



12

J



x 8

