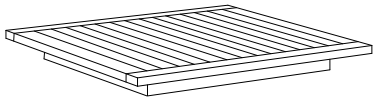


A

A



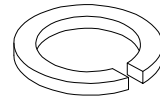
x 1

B



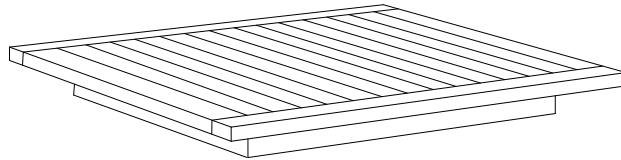
x 4

C



x 8

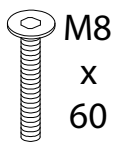
A



B x 4

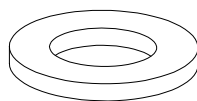


D



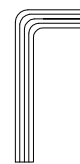
x 8

E



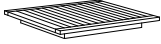

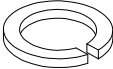
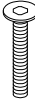
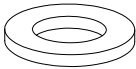
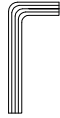
x 8

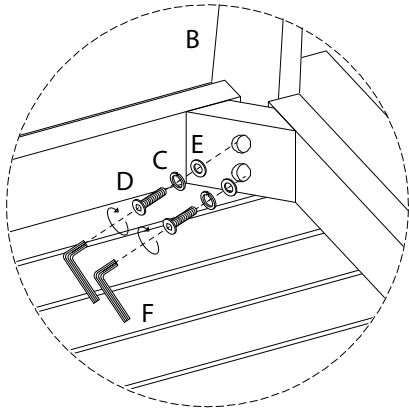
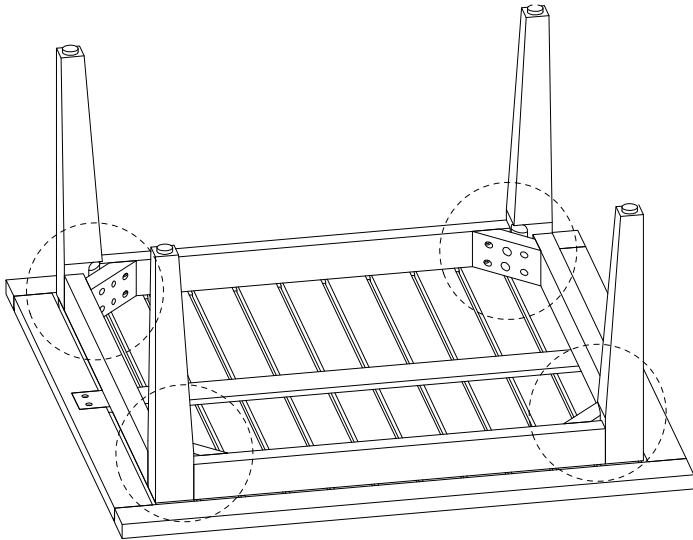
F



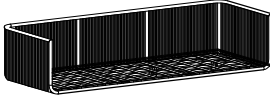



x 1

1

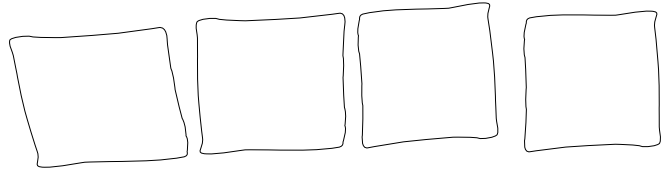
A  x 1	B  x 4	C  x 8	D  M8 x 60 x 8	E  x 8	F  x 1
------------------------------------------------------------------------------------------------------	------------------------------------------------------------------------------------------------------	------------------------------------------------------------------------------------------------------	-----------------------------------------------------------------------------------------------------------------------	--------------------------------------------------------------------------------------------------------	--------------------------------------------------------------------------------------------------------



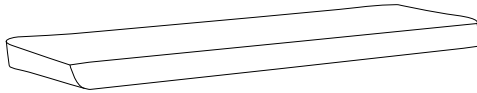
B

<p>A</p>  <p>x 1</p>	<p>B</p>  <p>x 1</p>	<p>C</p>  <p>x 4</p>	<p>D</p>  <p>x 2</p>
-------------------------------------------------------------------------------------------------------	-------------------------------------------------------------------------------------------------------	-------------------------------------------------------------------------------------------------------	---------------------------------------------------------------------------------------------------------

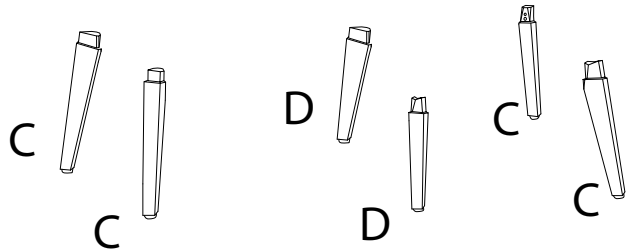
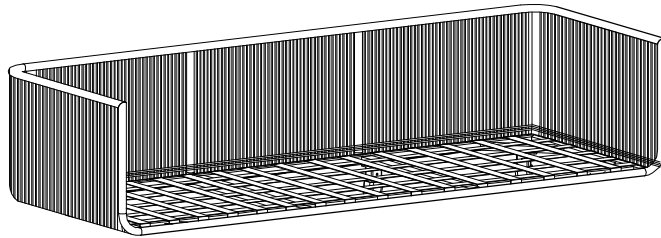
H x 4

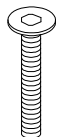

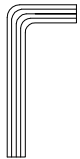
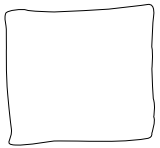


B




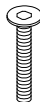

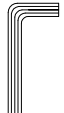


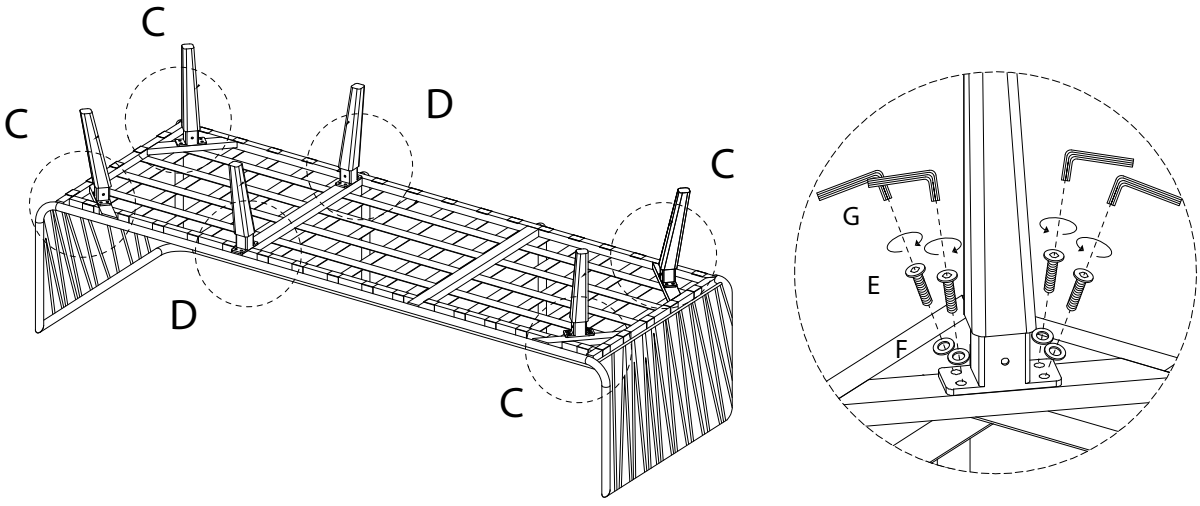
A





<p>E</p>  <p>M6 x 15</p> <p>x 24</p>	<p>F</p>  <p>x 24</p>	<p>G</p>  <p>x 1</p>	<p>H</p>  <p>x 4</p>
---------------------------------------------------------------------------------------------------------------------------------	----------------------------------------------------------------------------------------------------------	----------------------------------------------------------------------------------------------------------	-----------------------------------------------------------------------------------------------------------

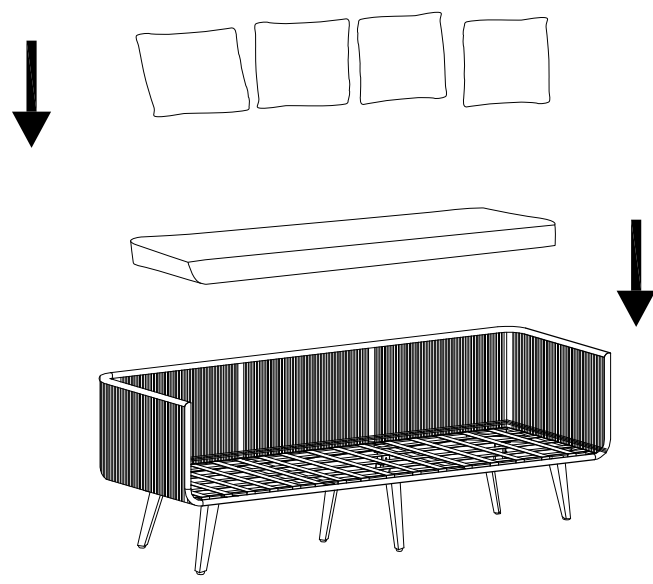
1

A  x 1	C  x 4	D  x 2	E M6 x 15  x 24	F  x 24	G  x 1
------------------------------------------------------------------------------------------------------	------------------------------------------------------------------------------------------------------	------------------------------------------------------------------------------------------------------	------------------------------------------------------------------------------------------------------------------------	---------------------------------------------------------------------------------------------------------	--------------------------------------------------------------------------------------------------------



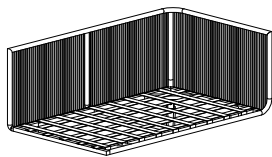
2

B  x 1	H  x 4
--------------------------------------------------------------------------------------------------------	----------------------------------------------------------------------------------------------------------



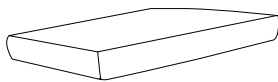
C

A



x 1

B



x 1

C

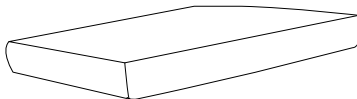


x 4

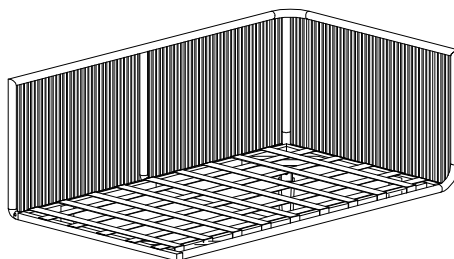
G x 2



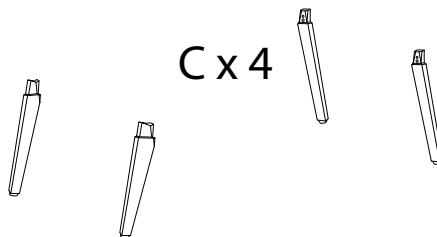
B



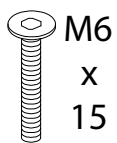
A



C x 4



D



M6
x
15

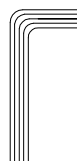
x 16

E



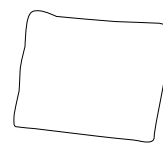
x 16

F



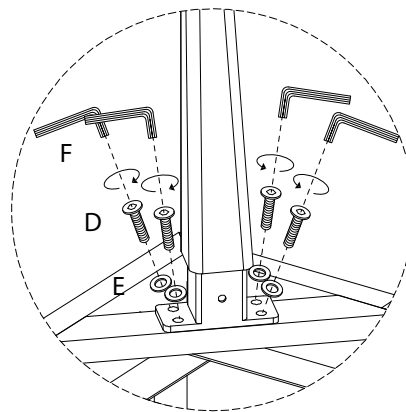
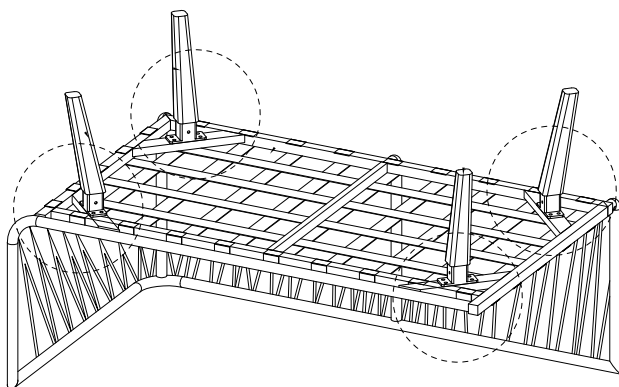
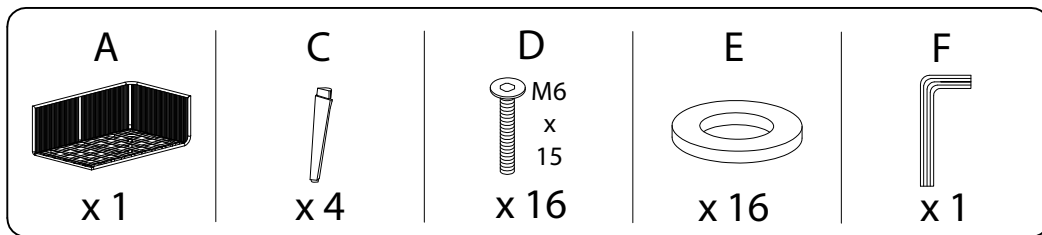
x 1

G



x 2

1



2

