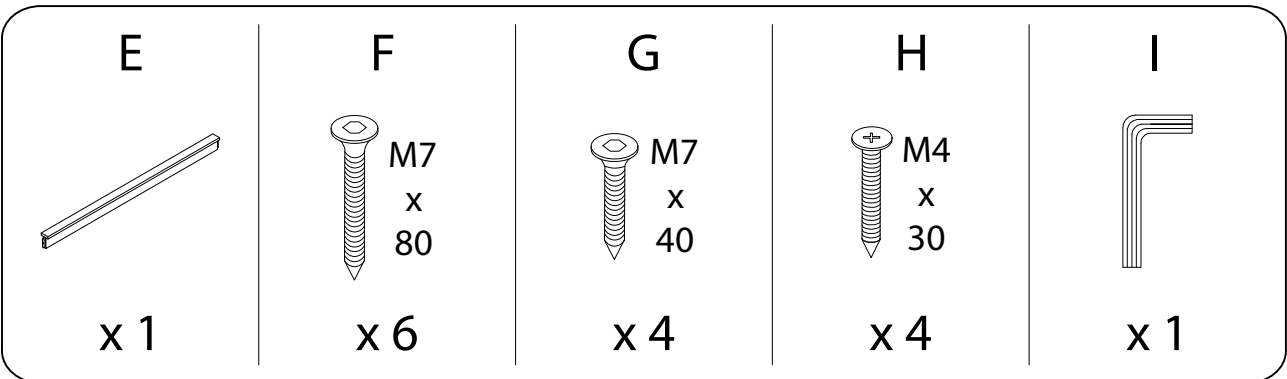
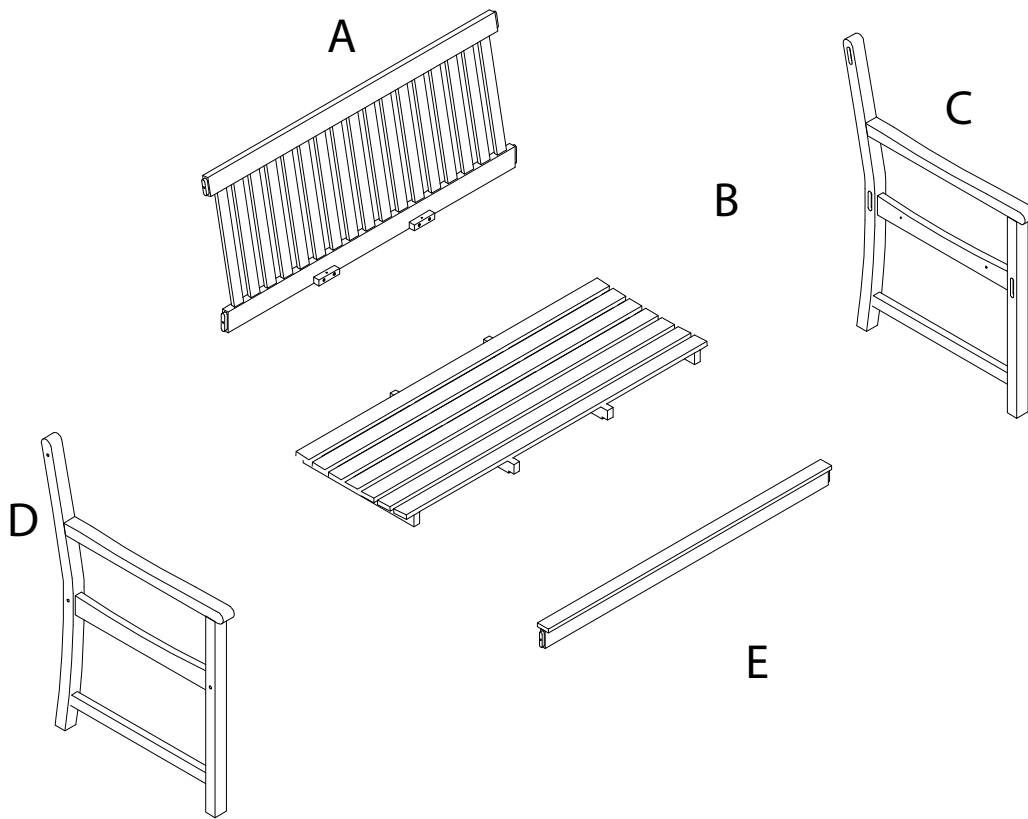
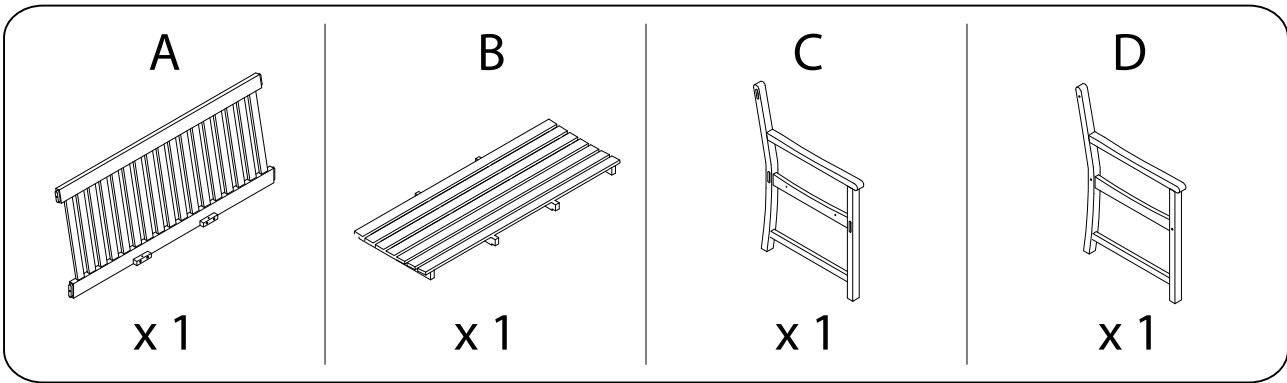


Assembly instructions for the bench, including tool requirements, time, and person count.

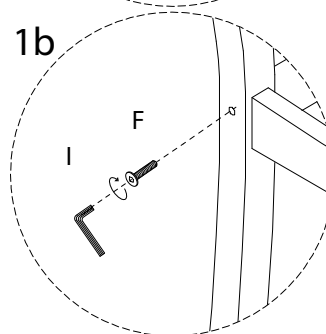
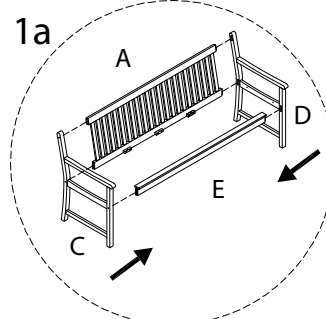
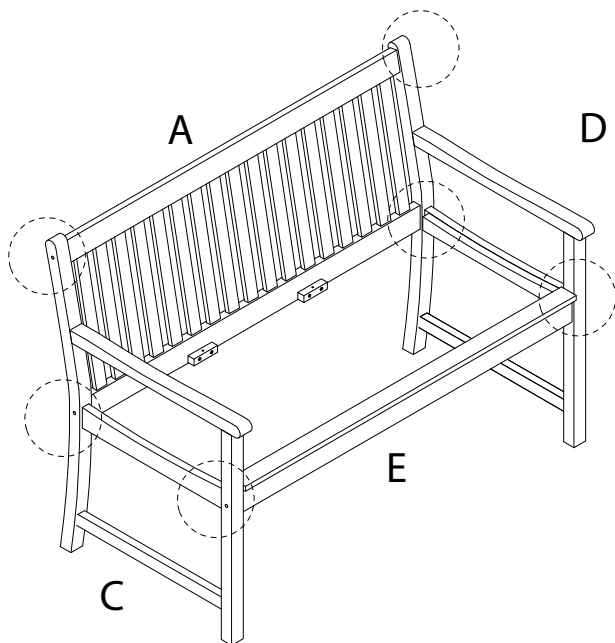
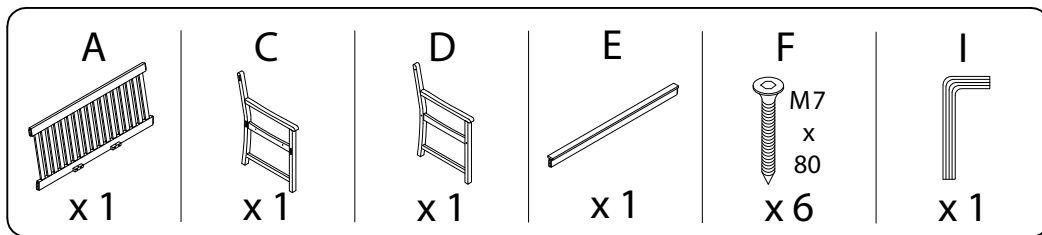
Tools: A circle containing a screwdriver and an Allen key, with a crossed-out power drill icon next to it. A warning triangle is positioned to the right of this circle.

Time: A clock icon with the text "30'" below it.

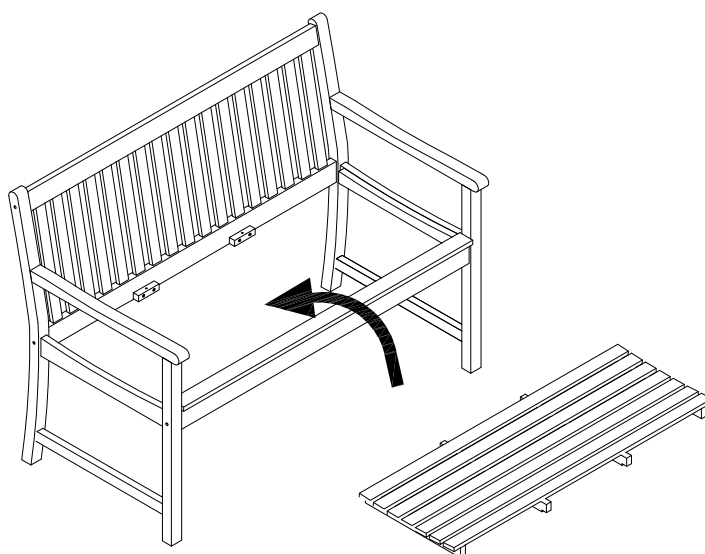
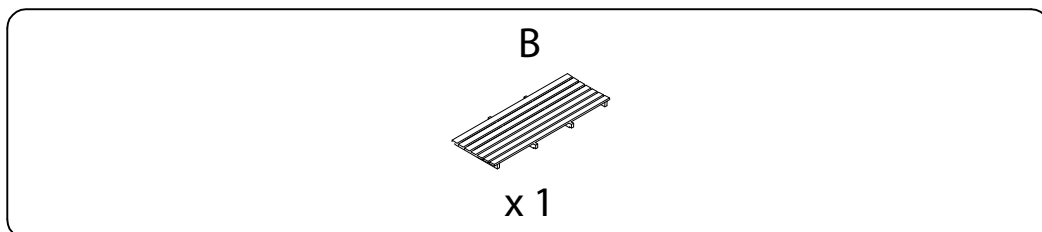
Person Count: A person icon with the text "1" below it.



1



2



3

G
M7
x
40
x 4

H
M4
x
30
x 4

I
x 1

