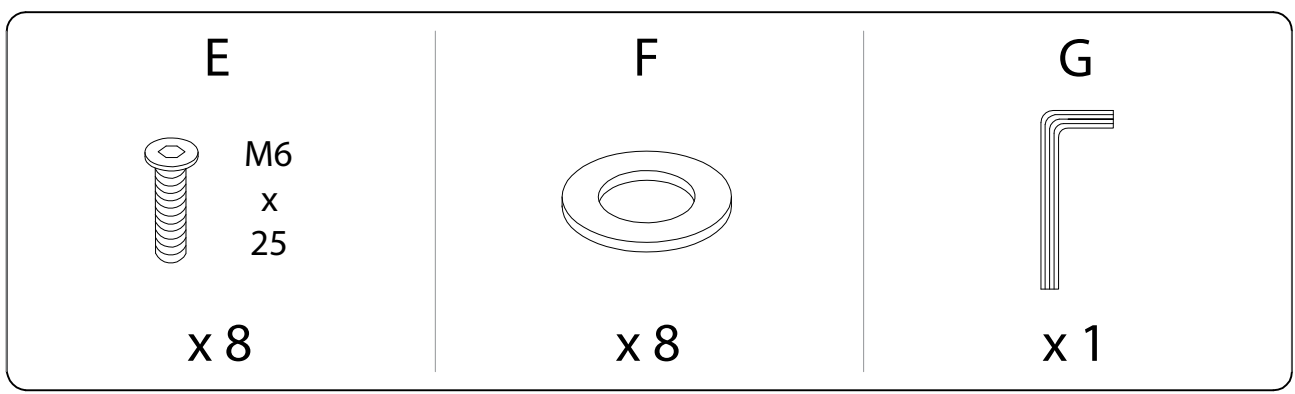
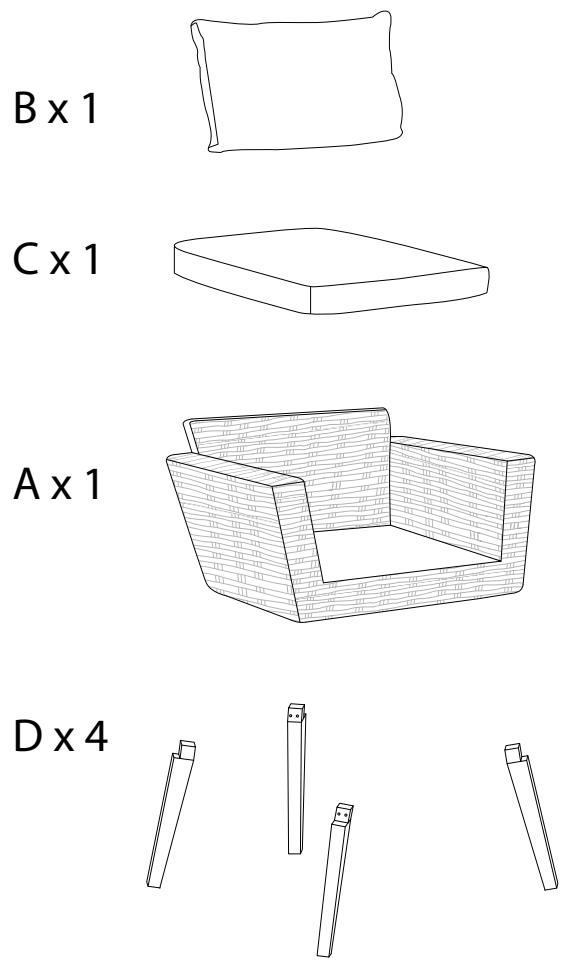
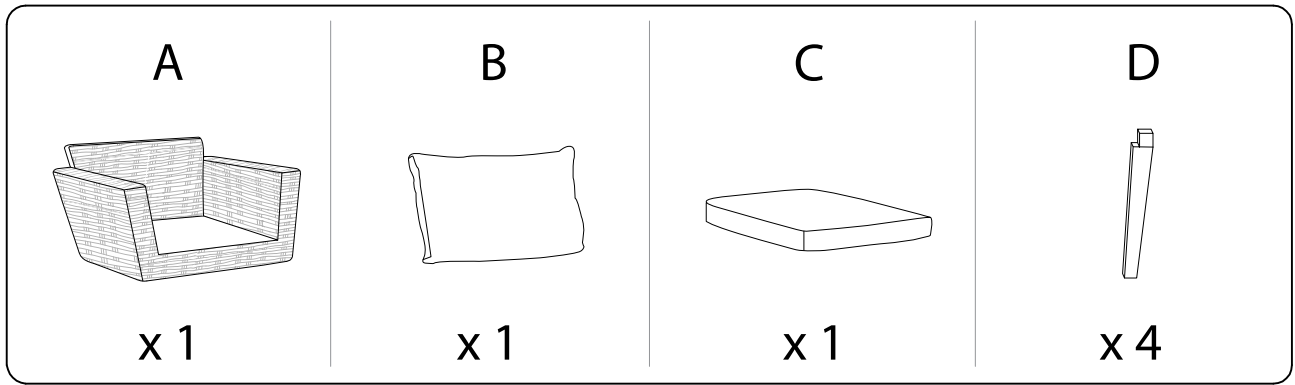


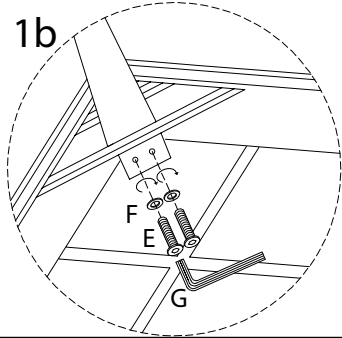
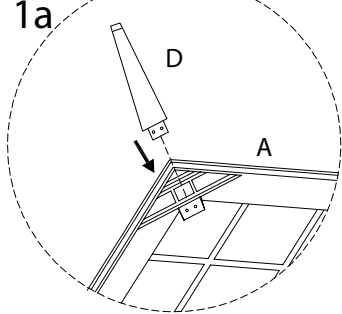
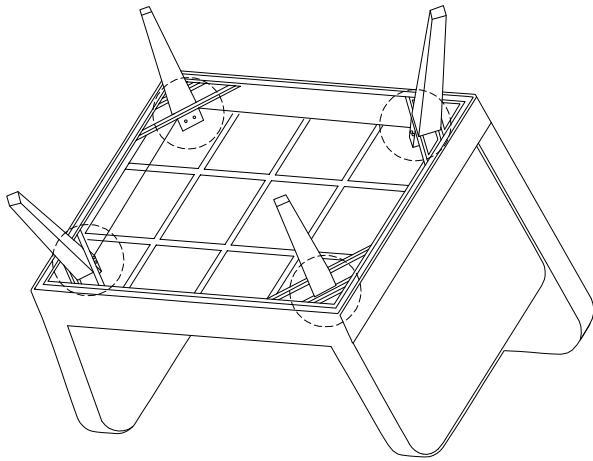
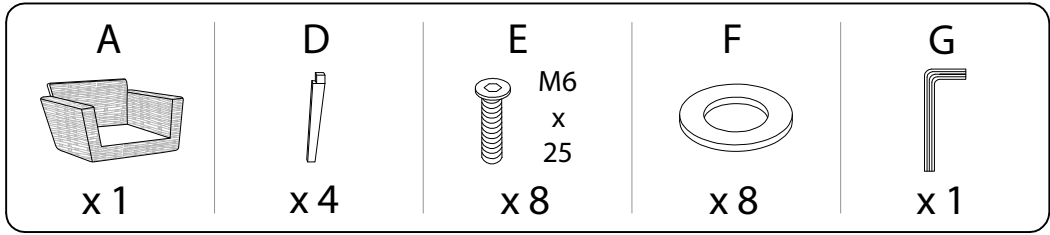
45'

2

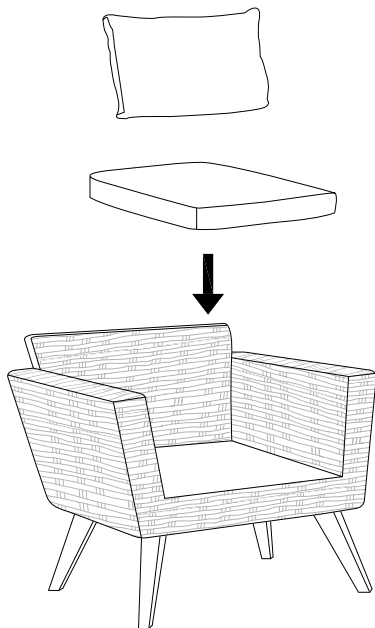
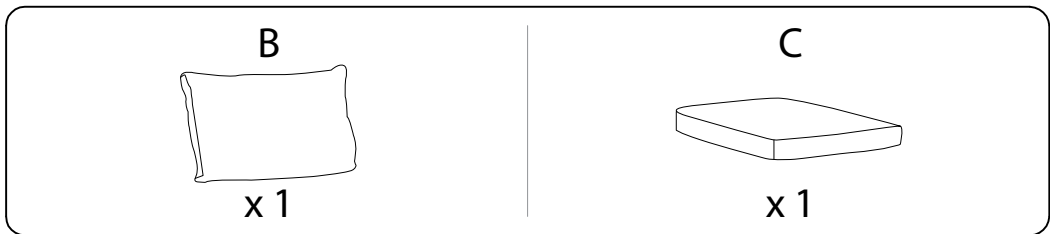
# A x 2



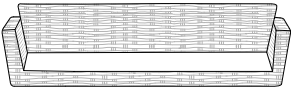
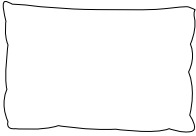
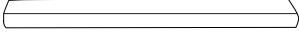

1



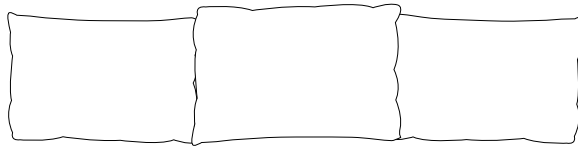
2



# B

<p>A</p>  <p>x 1</p>	<p>B</p>  <p>x 3</p>	<p>C</p>  <p>x 1</p>	<p>D</p>  <p>x 5</p>
-------------------------------------------------------------------------------------------------------	-------------------------------------------------------------------------------------------------------	--------------------------------------------------------------------------------------------------------	---------------------------------------------------------------------------------------------------------

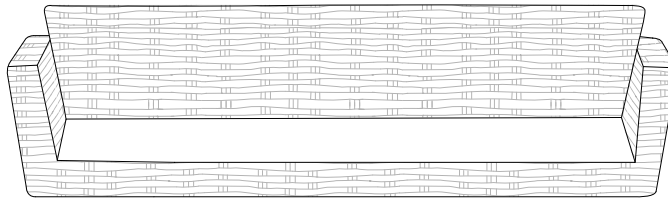
B x 3



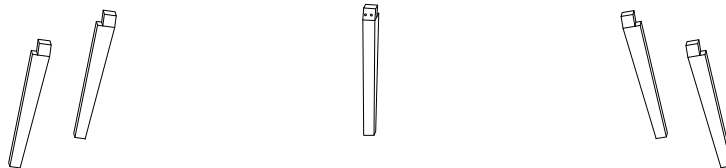
C x 1



A x 1


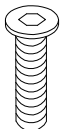
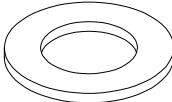



D x 5

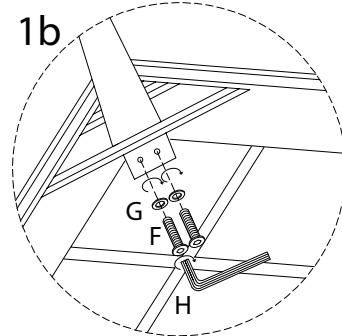
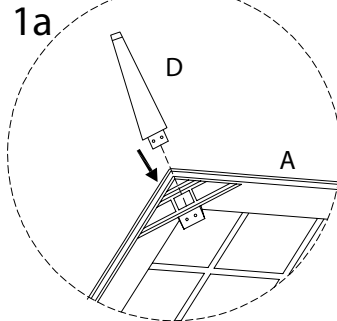
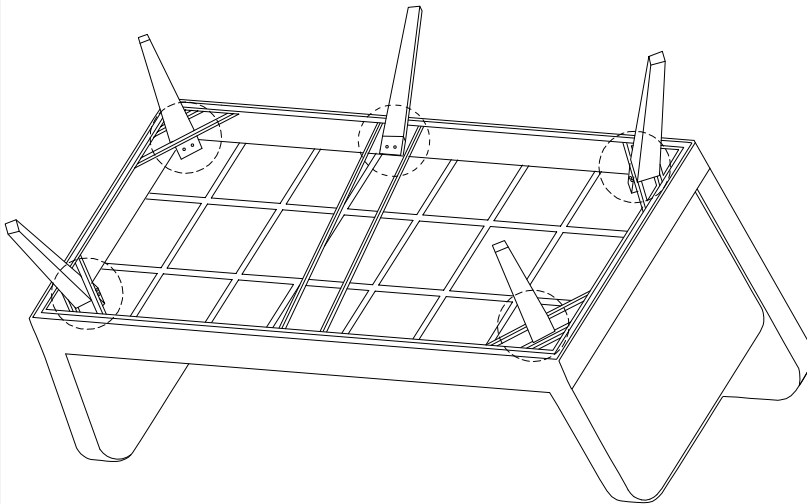
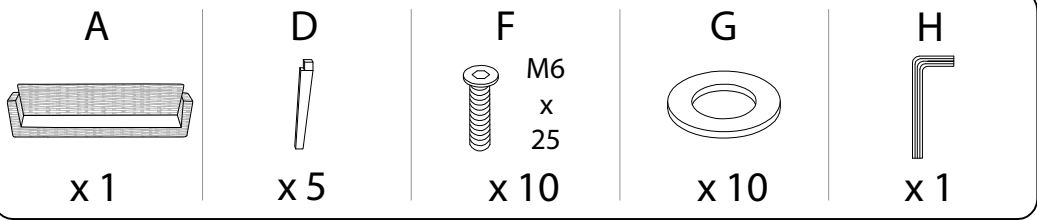


E x 1

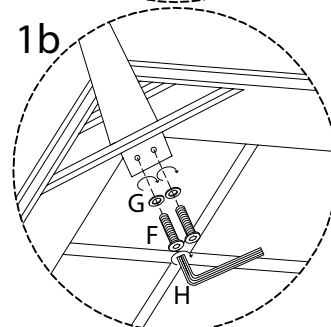
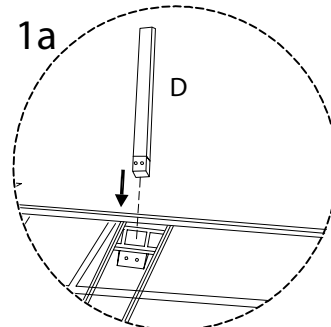
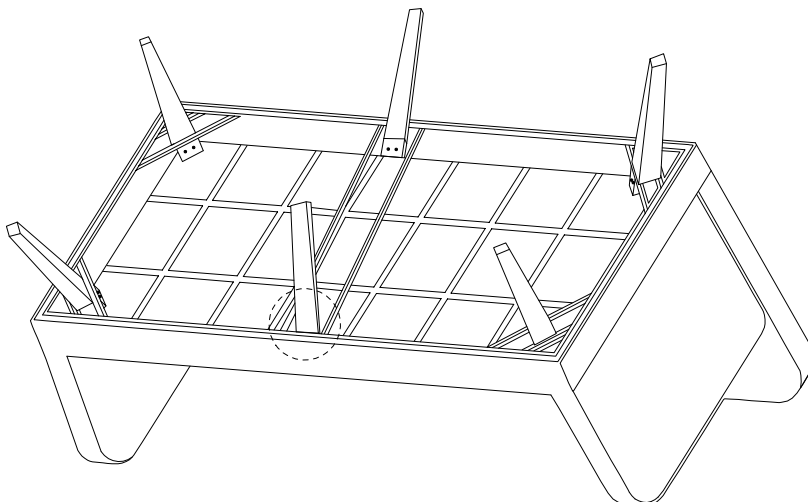
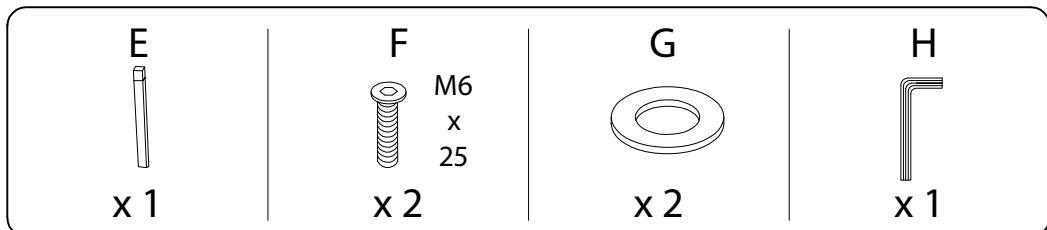


<p>E</p>  <p>x 1</p>	<p>F</p>  <p>M6 x 25</p> <p>x 12</p>	<p>G</p>  <p>x 12</p>	<p>H</p>  <p>x 1</p>
---------------------------------------------------------------------------------------------------------	---------------------------------------------------------------------------------------------------------------------------------	-----------------------------------------------------------------------------------------------------------	-----------------------------------------------------------------------------------------------------------

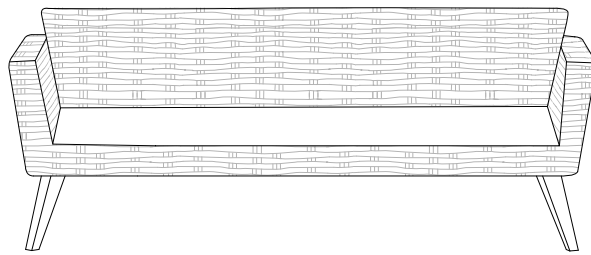
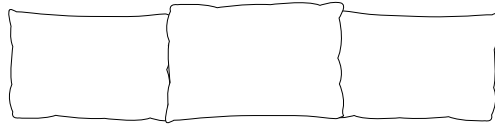
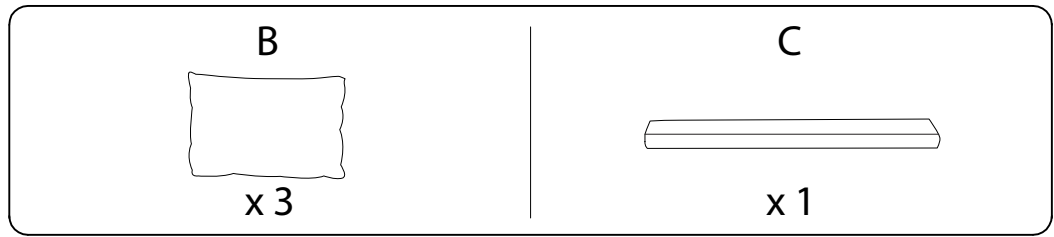
1



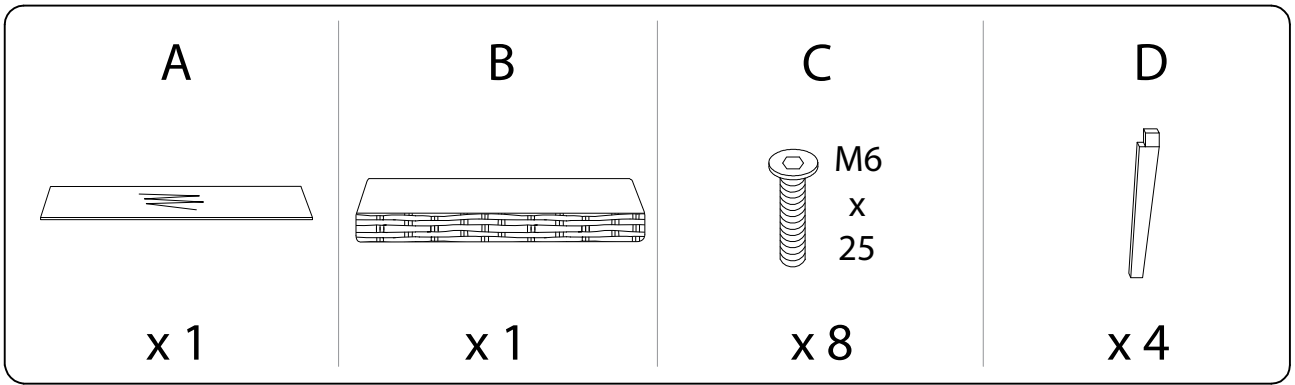
2



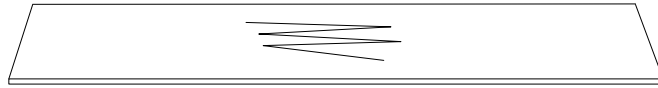
3



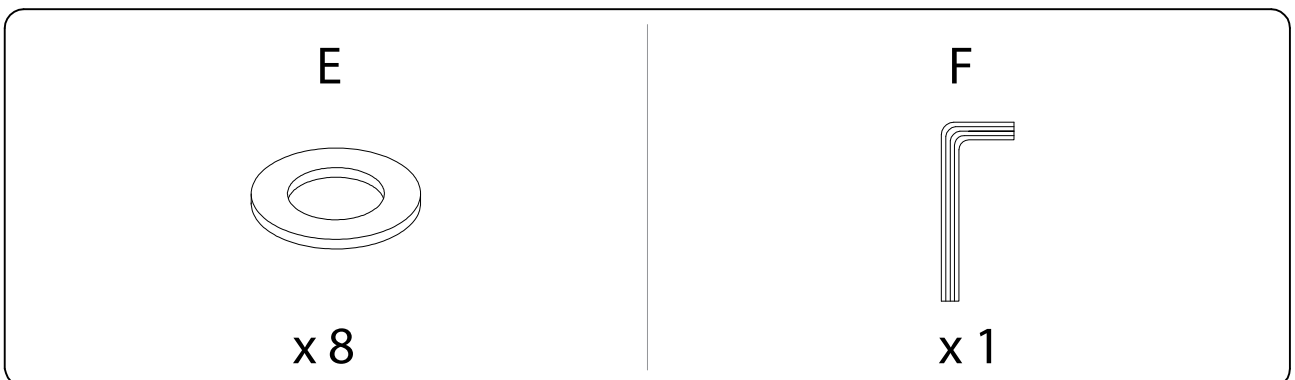
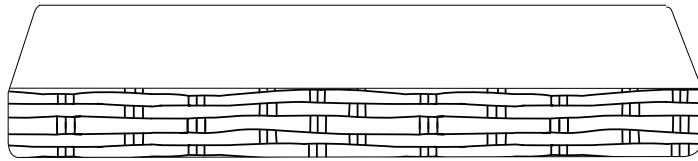
# C



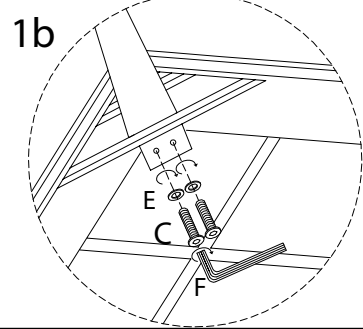
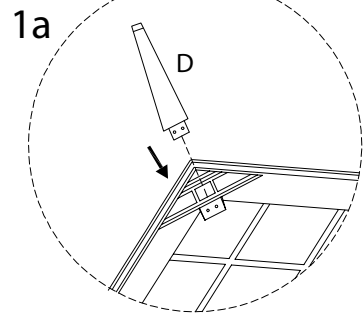
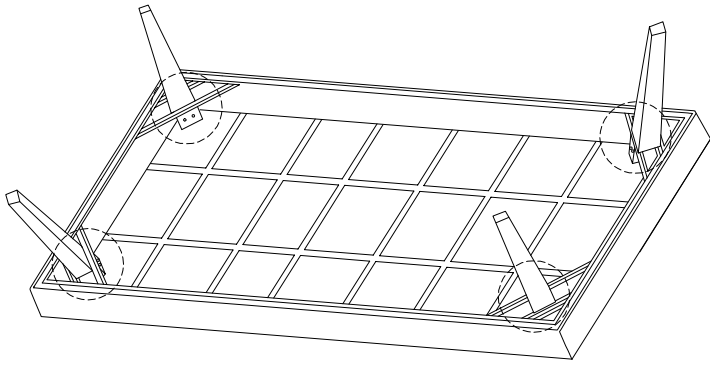
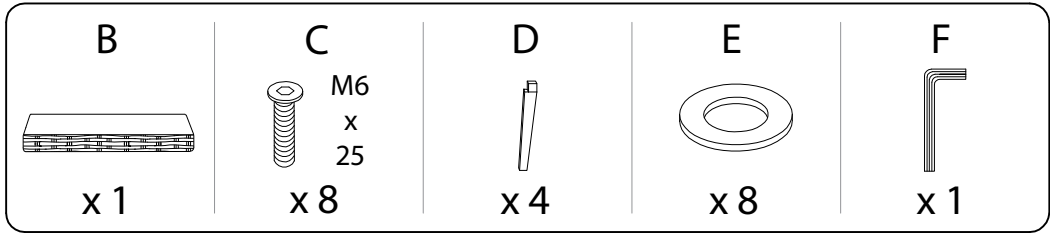
A



B



1



2

