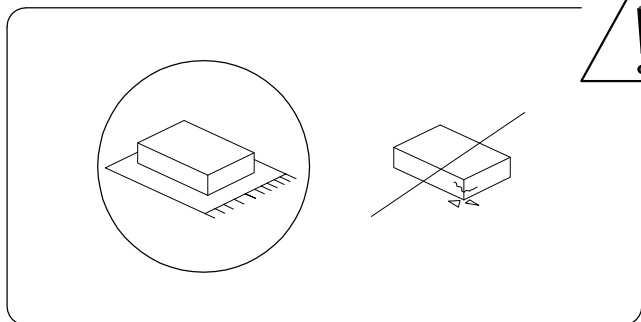
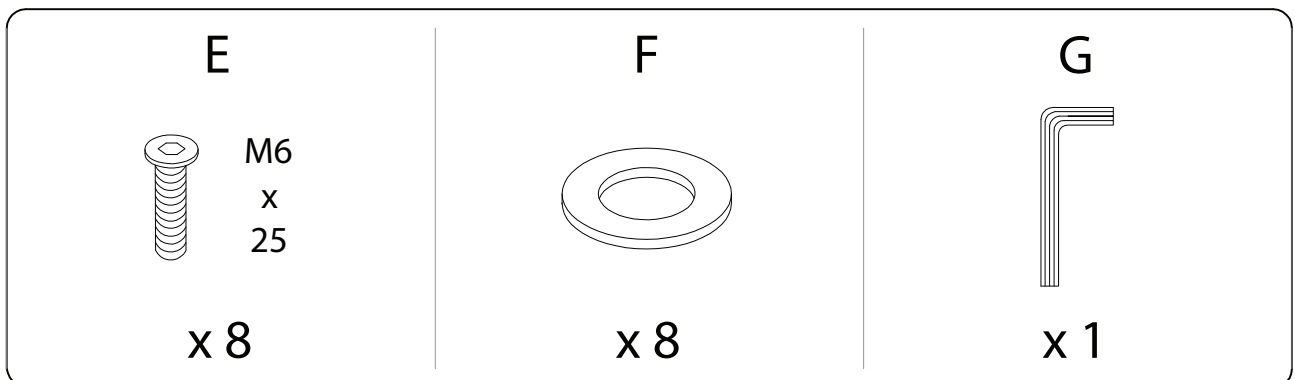
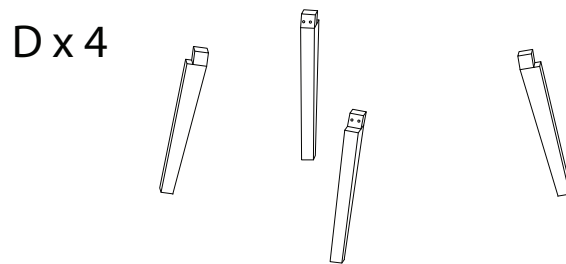
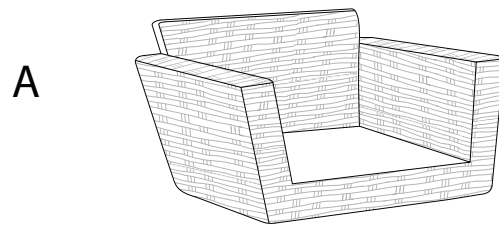
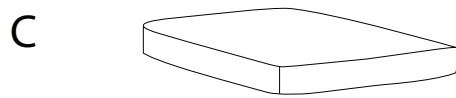
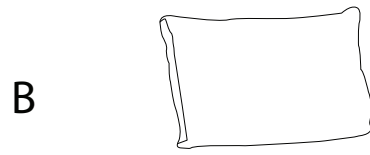
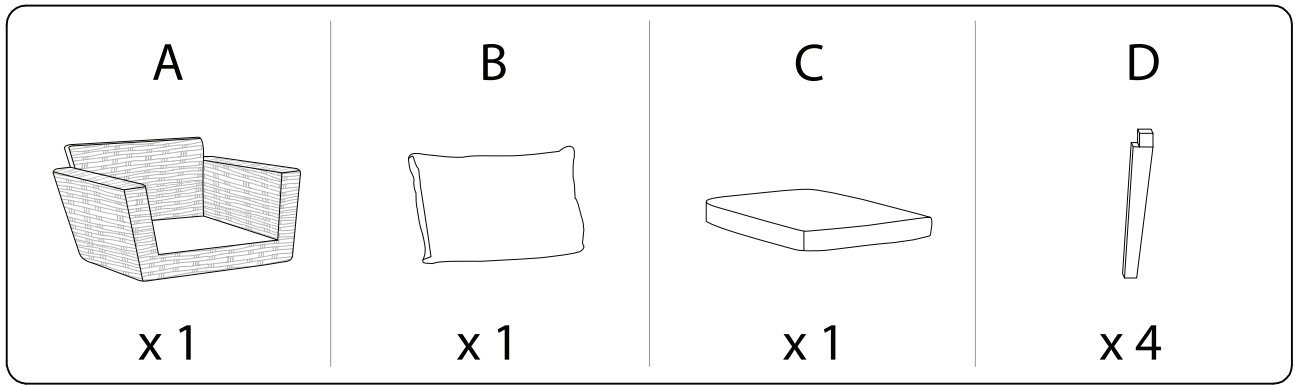


120'

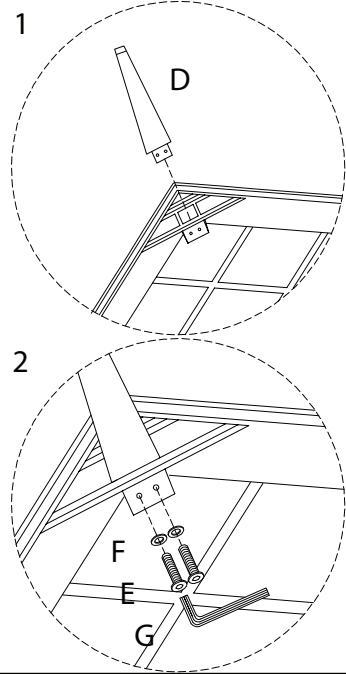
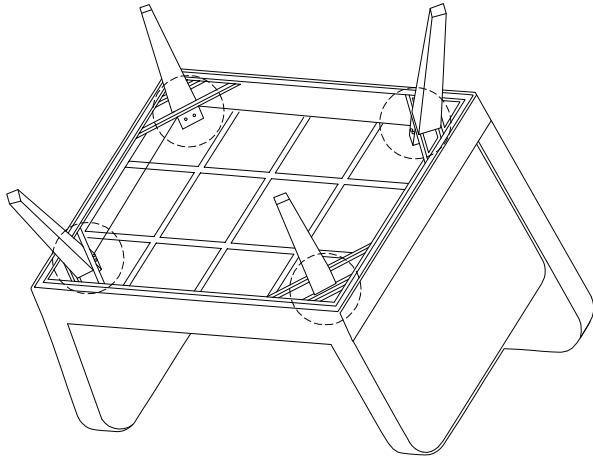
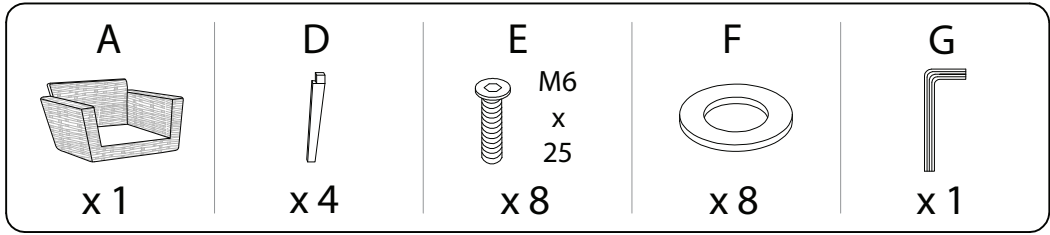


2

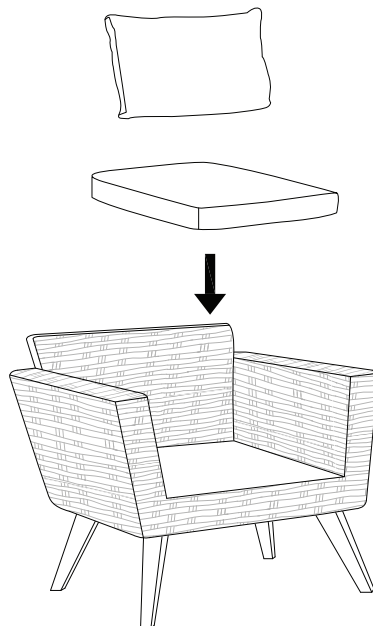
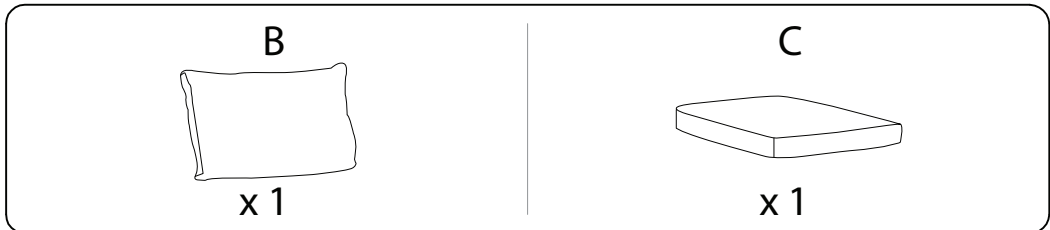
A x 2



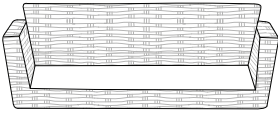
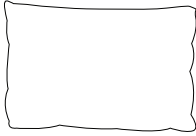
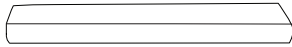

1



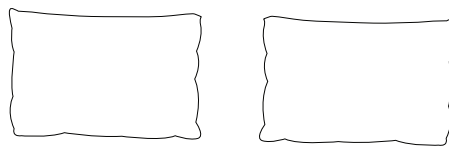
2



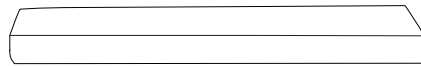
B

<p>A</p>  <p>x 1</p>	<p>B</p>  <p>x 2</p>	<p>C</p>  <p>x 1</p>	<p>D</p>  <p>x 4</p>
---	---	--	---

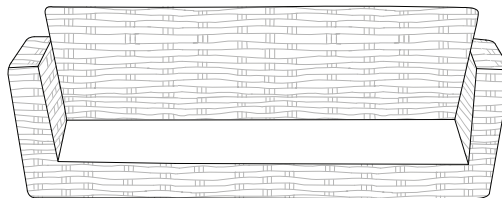
B x 2



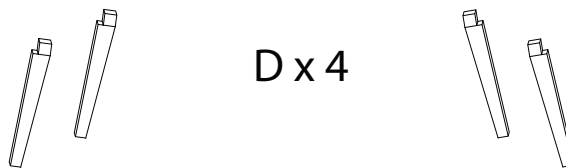
C x 1

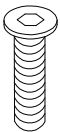
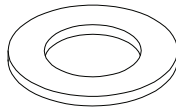
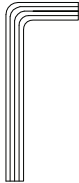


A x 1

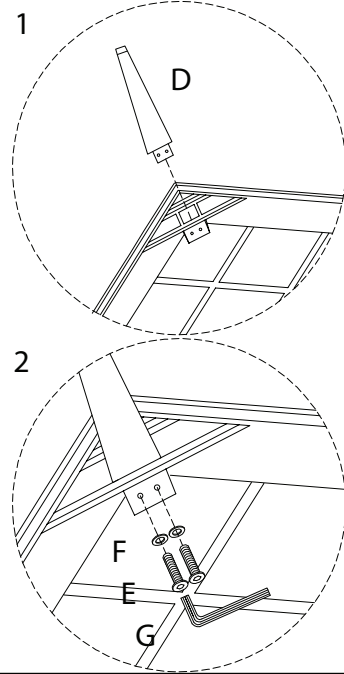
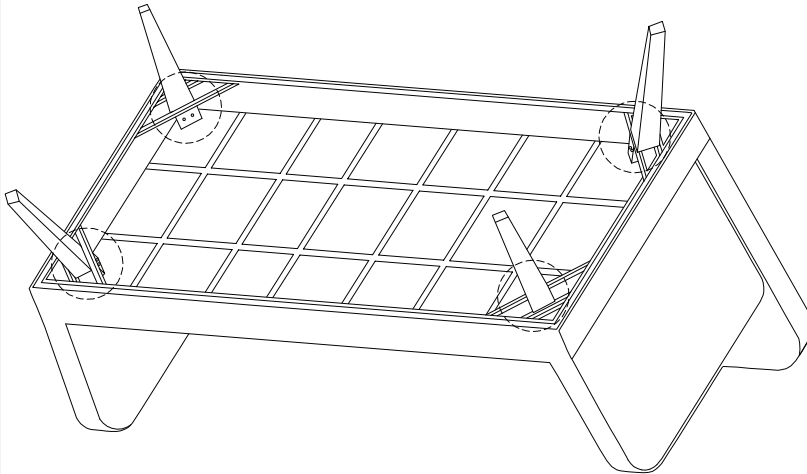
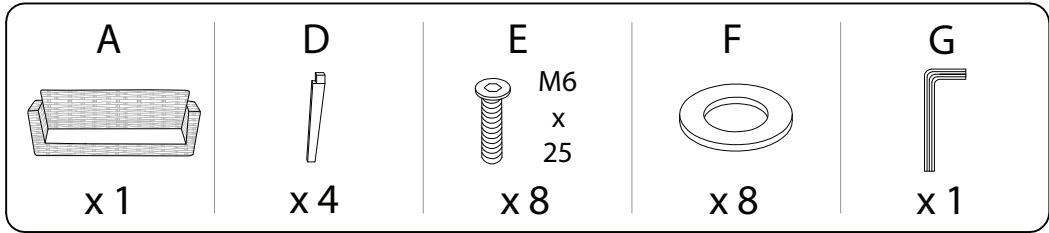


D x 4

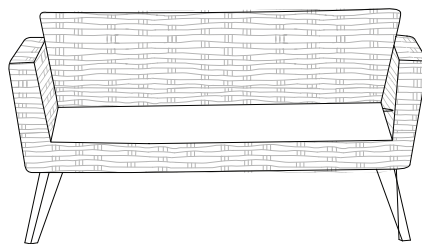
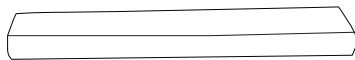
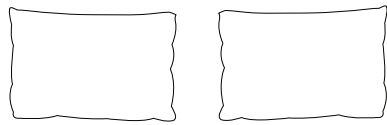
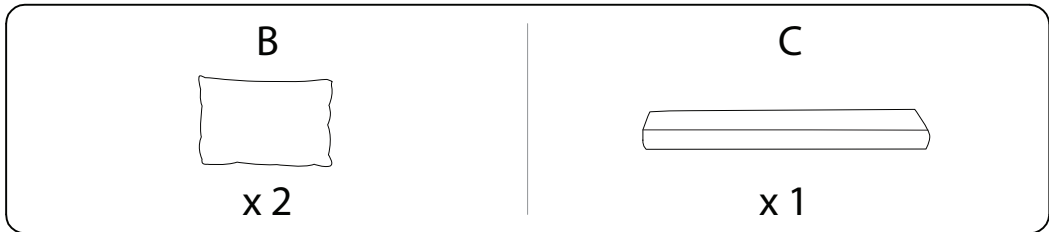


<p>E</p>  <p>M6 x 25</p> <p>x 8</p>	<p>F</p>  <p>x 8</p>	<p>G</p>  <p>x 1</p>
--	---	---

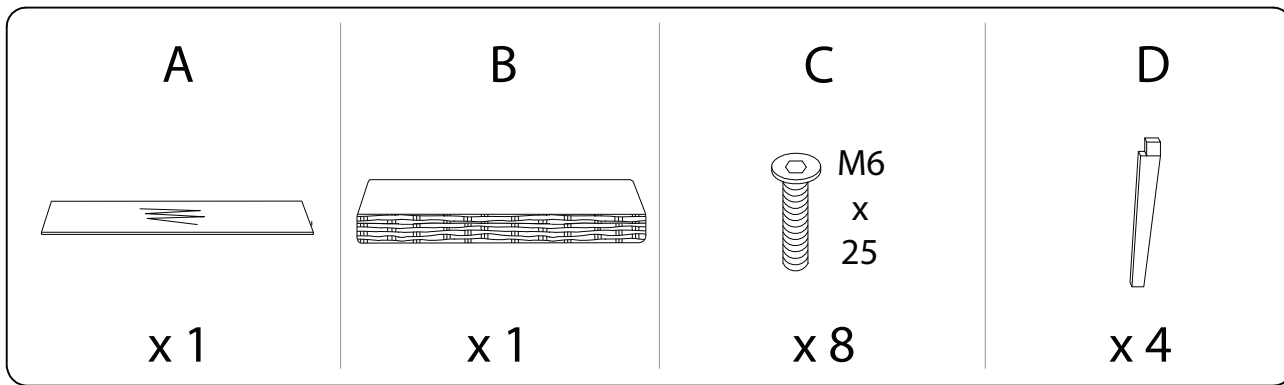
1



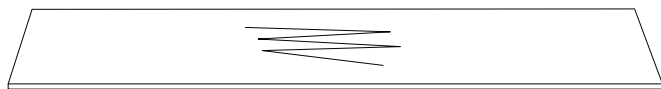
2



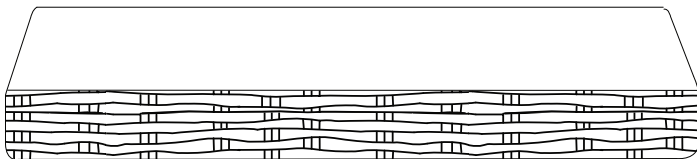
C



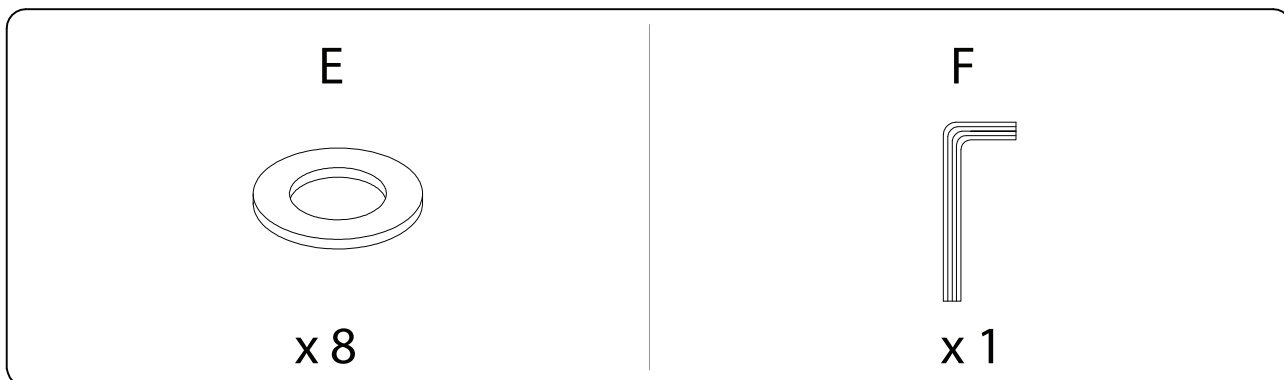
A



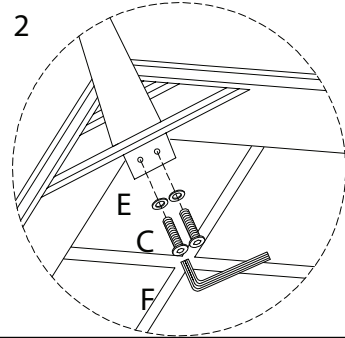
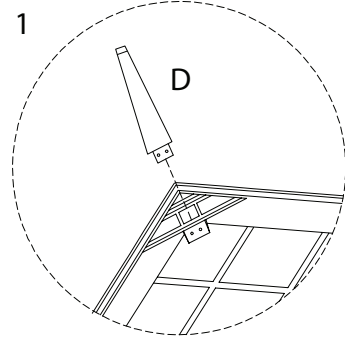
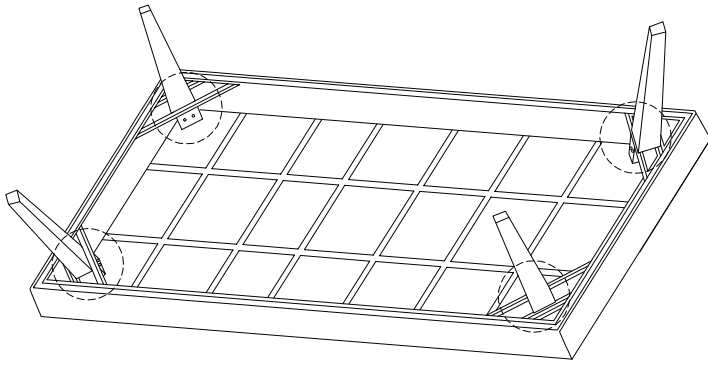
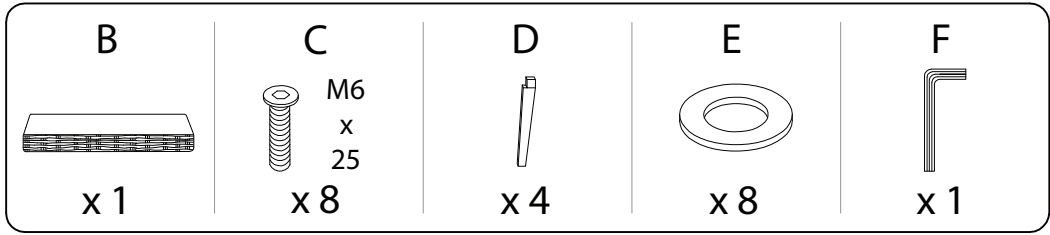
B



D x 4



1



2

