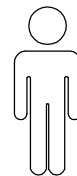
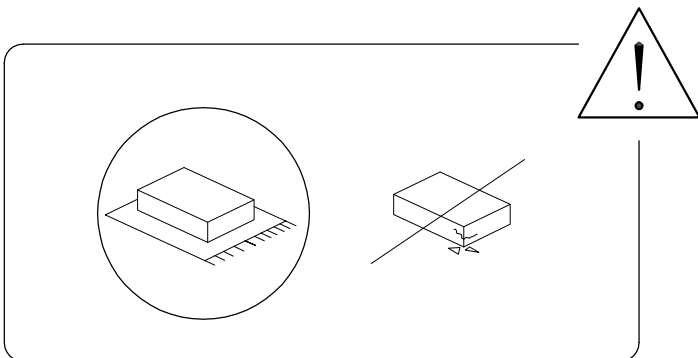
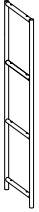
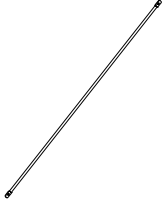
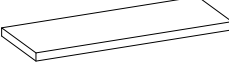
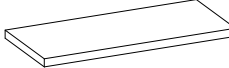
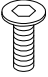
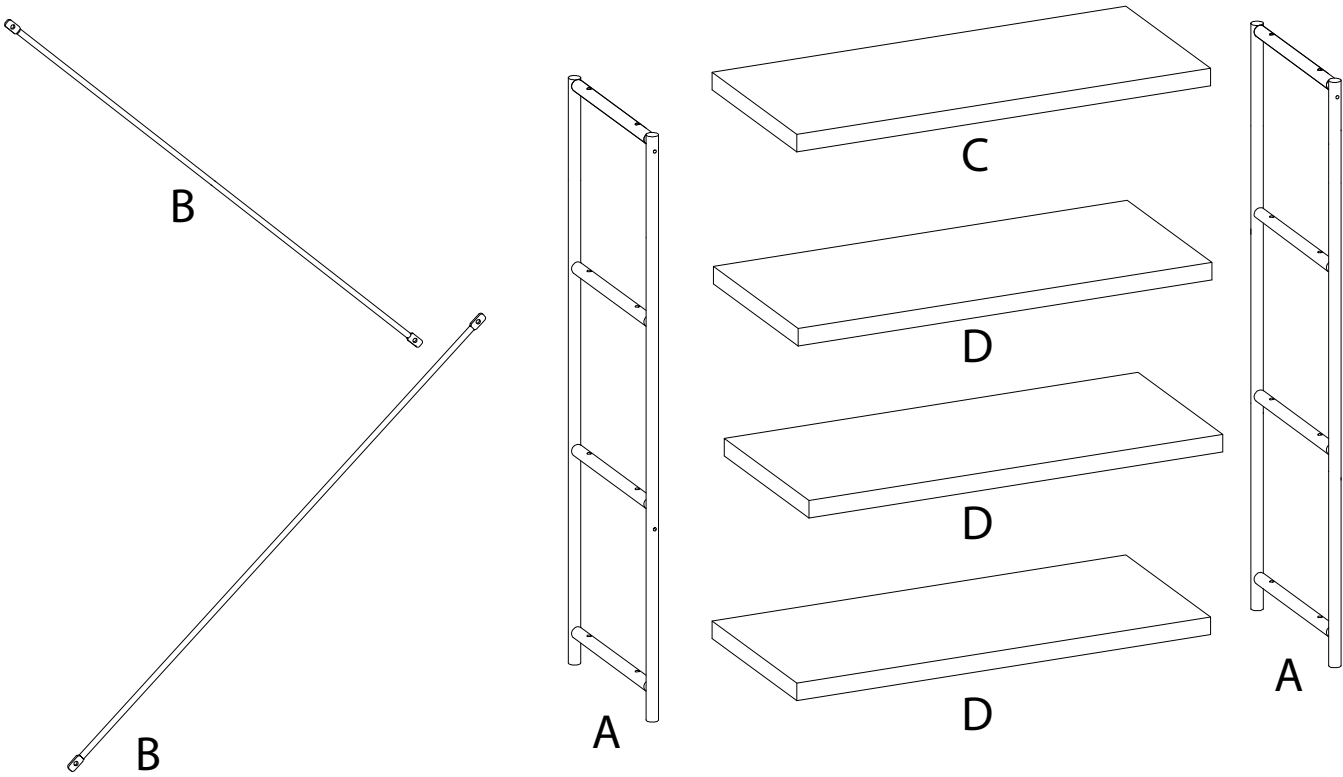


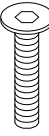



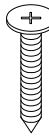

20'



1

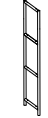
<b>A</b>  <b>x 2</b>	<b>B</b>  <b>x 2</b>	<b>C</b>  <b>x 1</b>	<b>D</b>  <b>x 3</b>	<b>E</b>  <b>M6 x 10</b> <b>x 4</b>
---	---	---	--	---



<b>F</b>  <b>M6 x 35</b> <b>x 16</b>	<b>G</b>  <b>x 1</b>	<b>H</b>  <b>x 1</b>	<b>I</b>  <b>x 1</b>	<b>J</b>  <b>M4 x 35</b> <b>x 1</b>	<b>K</b>  <b>M3.5 x 16</b> <b>x 1</b>
--	---	---	---	---	---

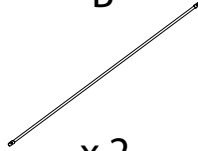
1

A



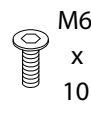
x 2

B



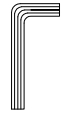
x 2

E

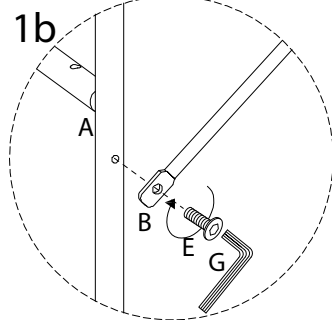
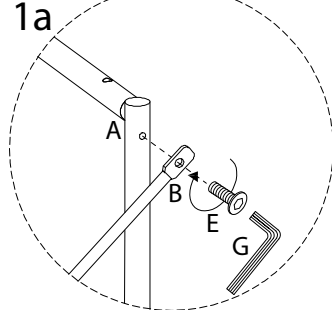
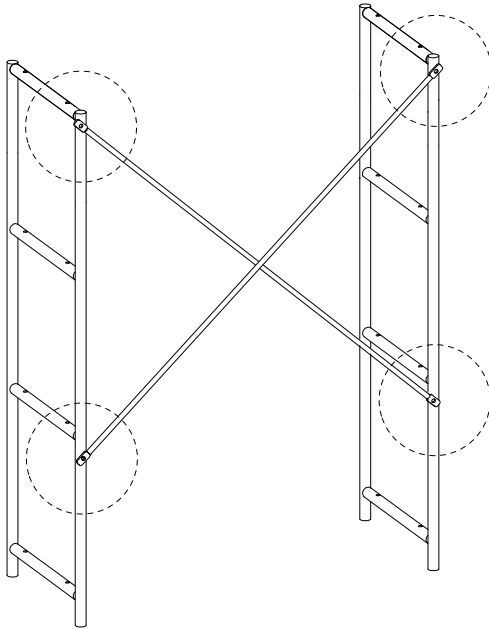


x 4

G

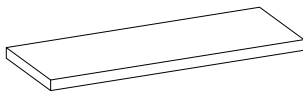


x 1



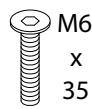
2

C



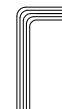
x 1

F

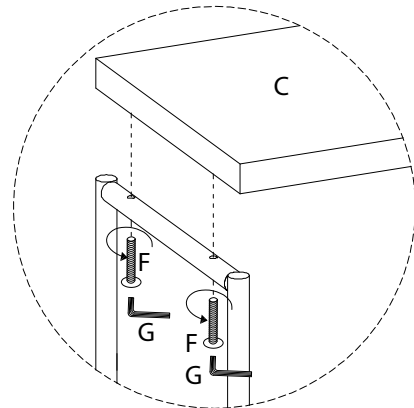
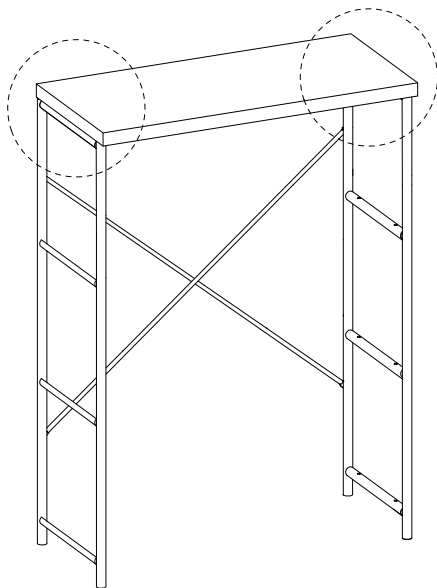


x 4

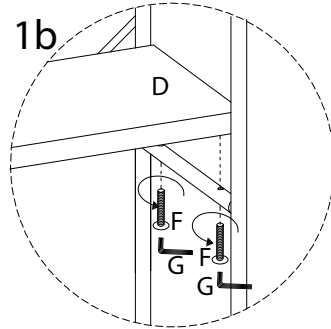
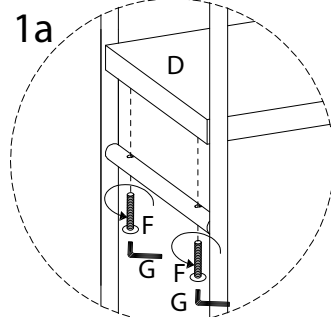
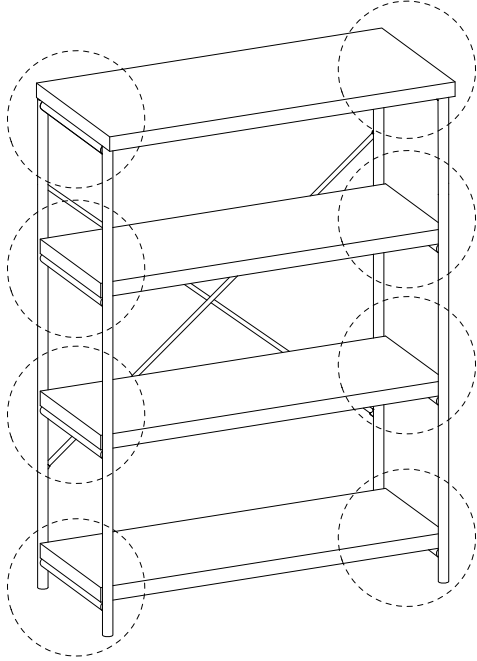
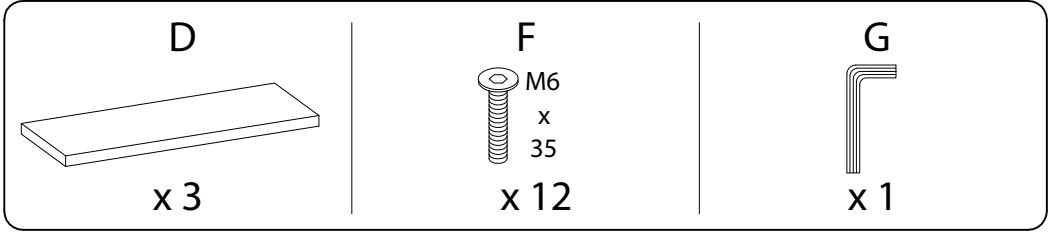
G



x 1



3



4

