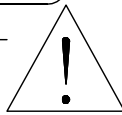
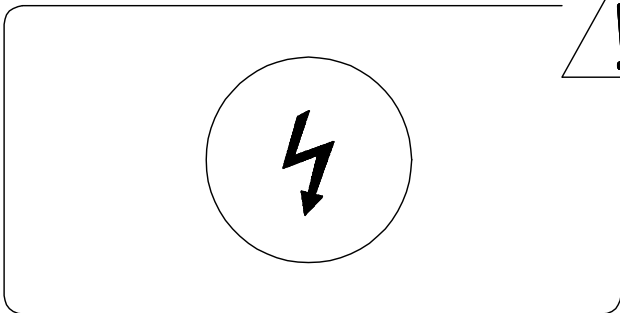
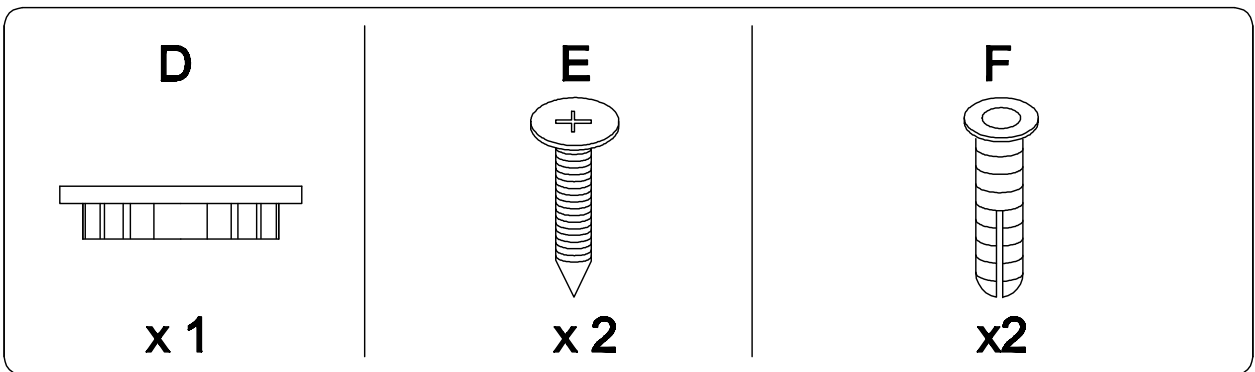
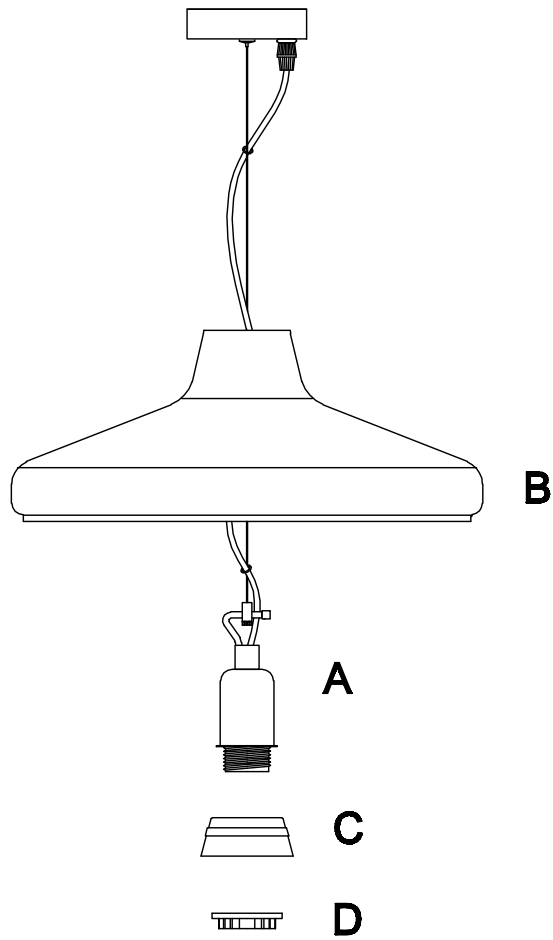
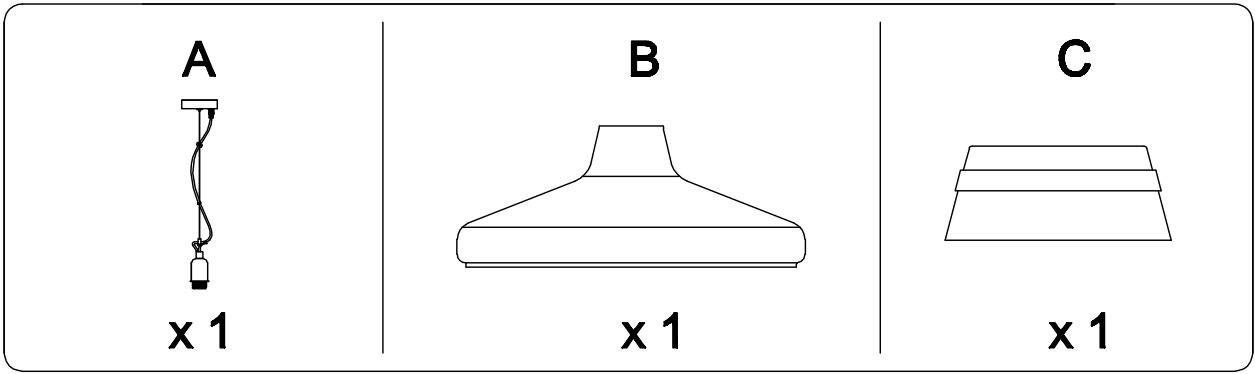


20'



1

1/4



1

A



x 1

E

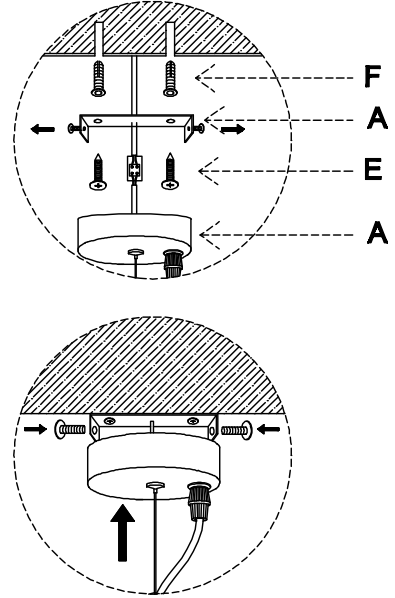
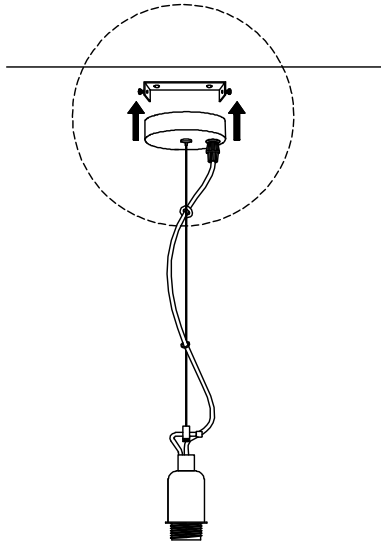


x 2

F

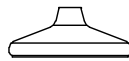


x 2

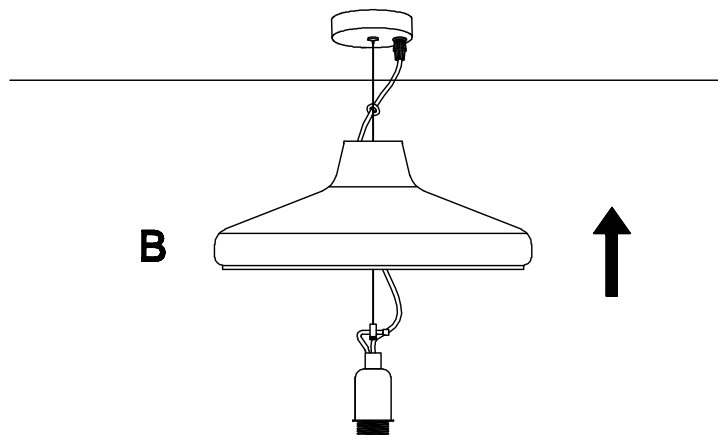


2

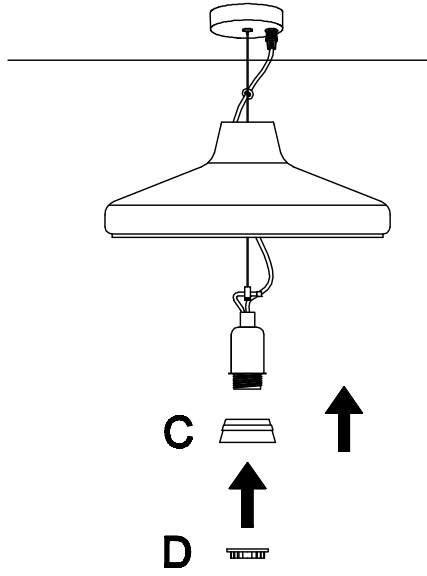
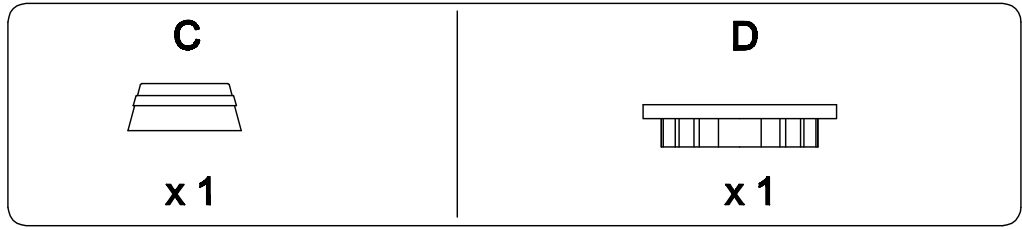
B



x 1



3



4

