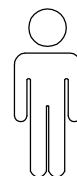
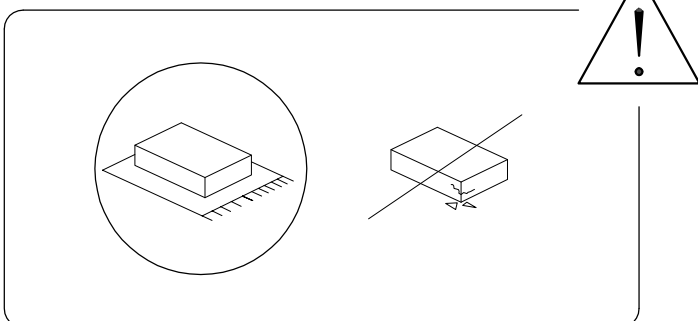
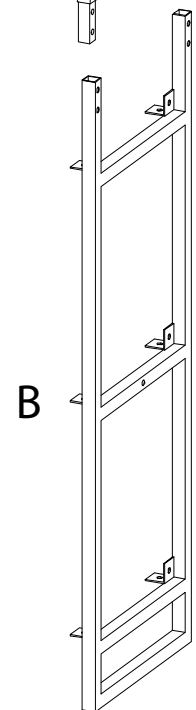
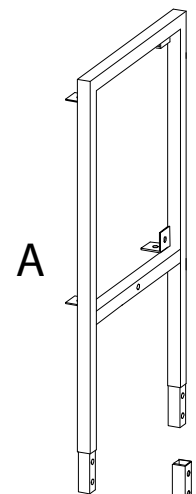
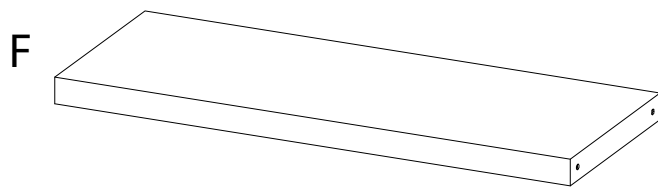
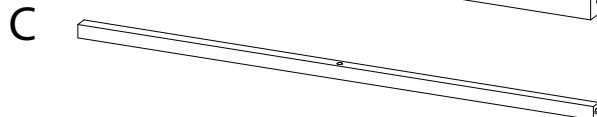
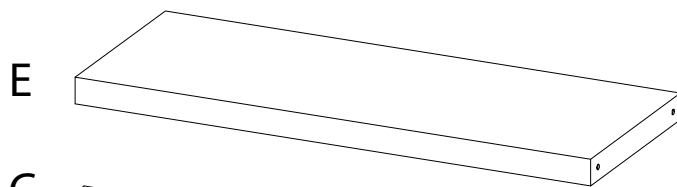
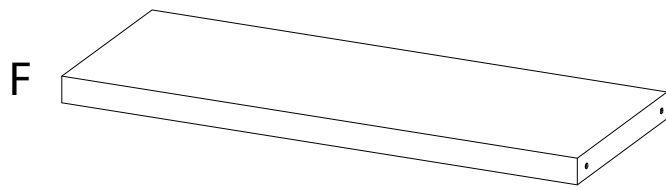
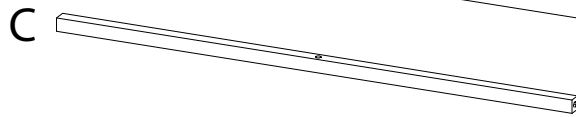
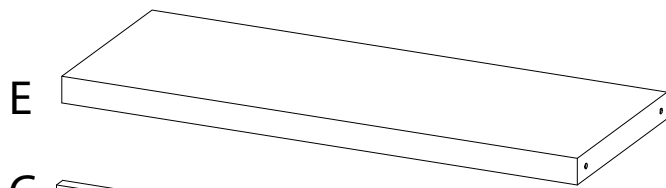
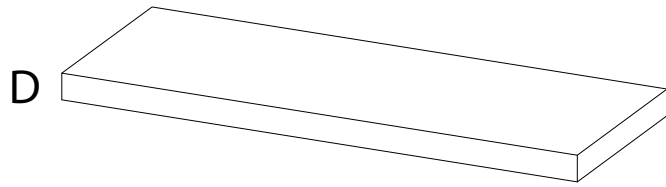
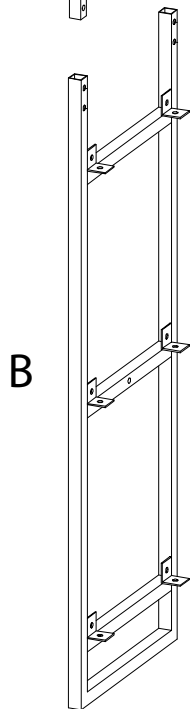
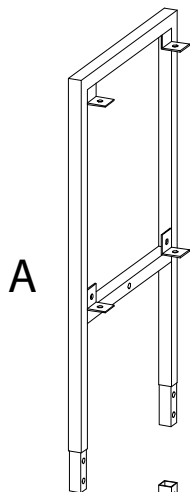


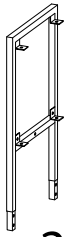
20'



1

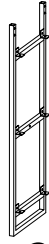


A



x 2

B



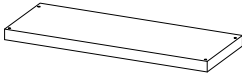
x 2

C



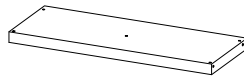
x 2

D



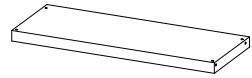
x 1

E



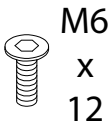
x 2

F



x 2

G



M6
x
12

x 44

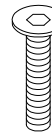
H



M6
x
30

x 2

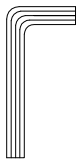
I



M6
x
40

x 4

J



x 1

K



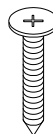
x 1

L



x 1

M



M4
x
35

x 1

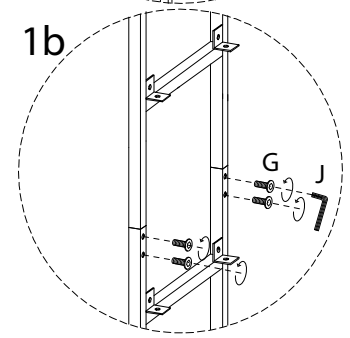
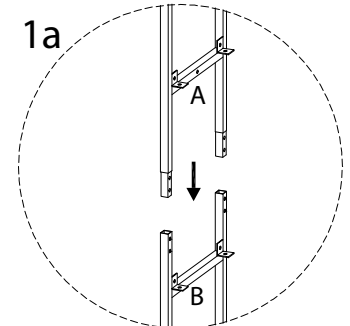
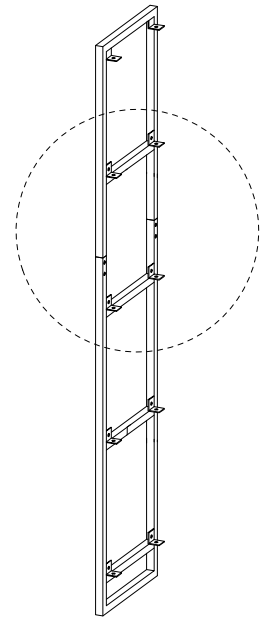
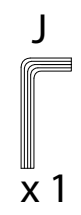
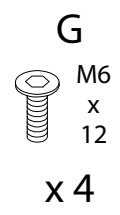
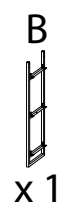
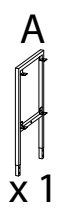
N



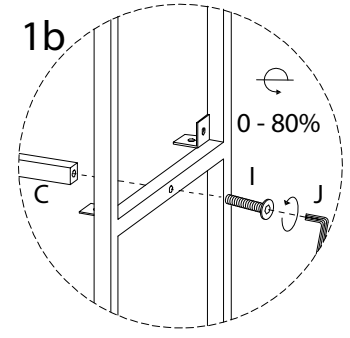
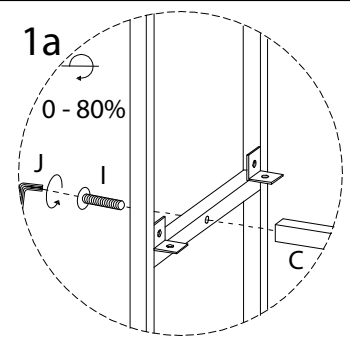
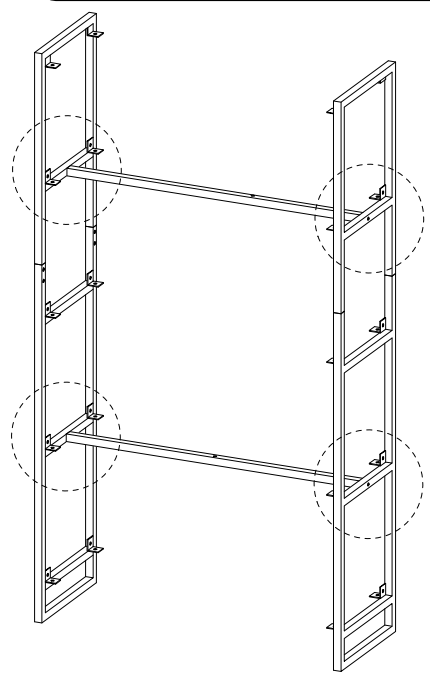
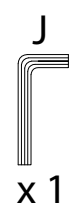
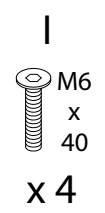
M3.5
x
16

x 1

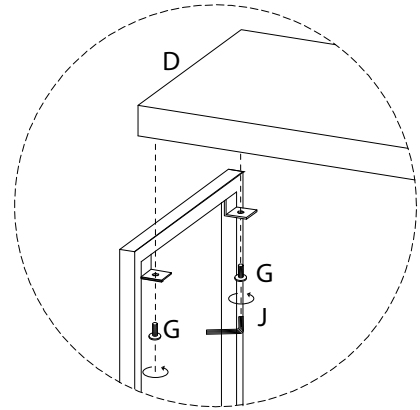
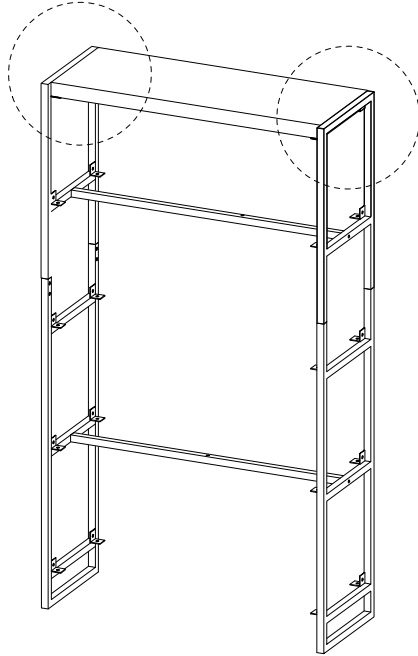
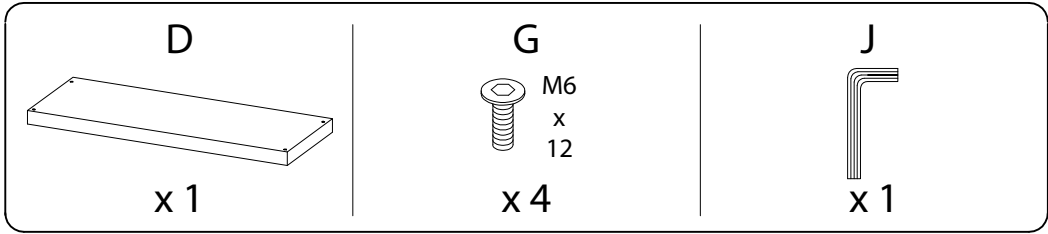
1 x 2



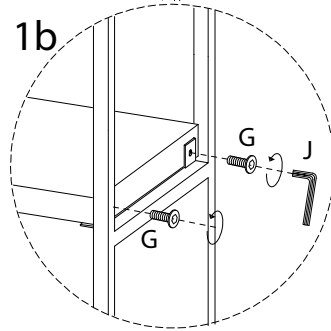
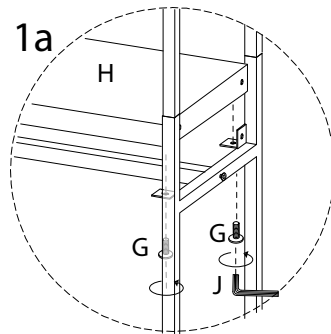
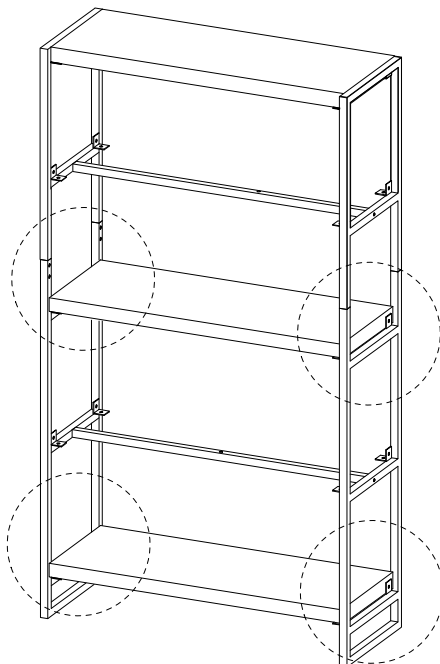
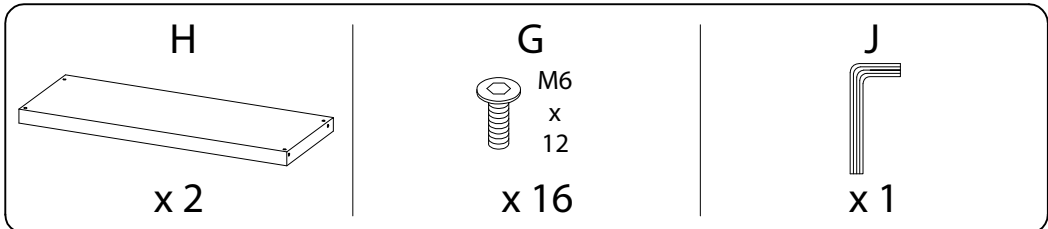
2



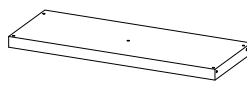


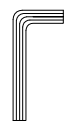
3

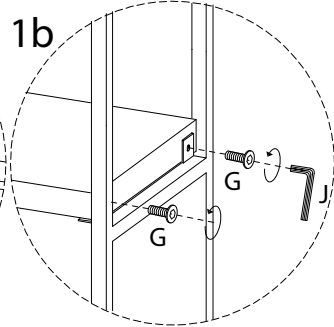
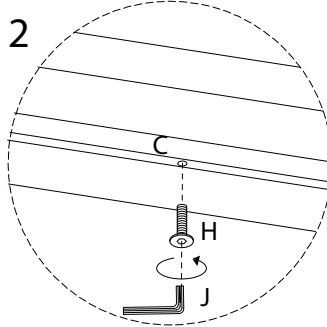
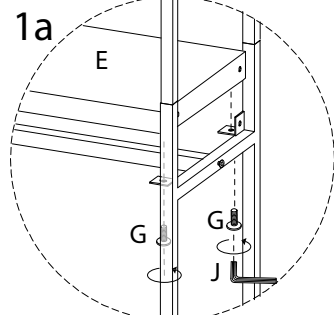
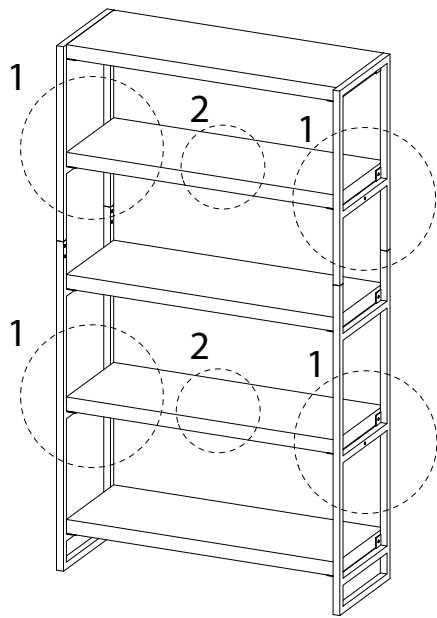


4

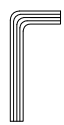


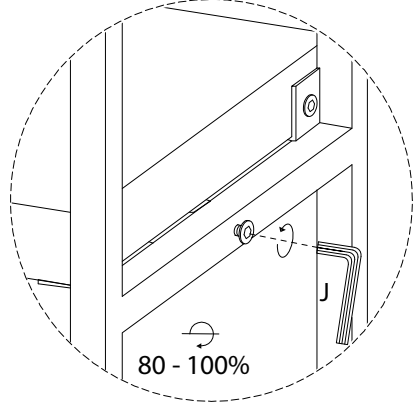
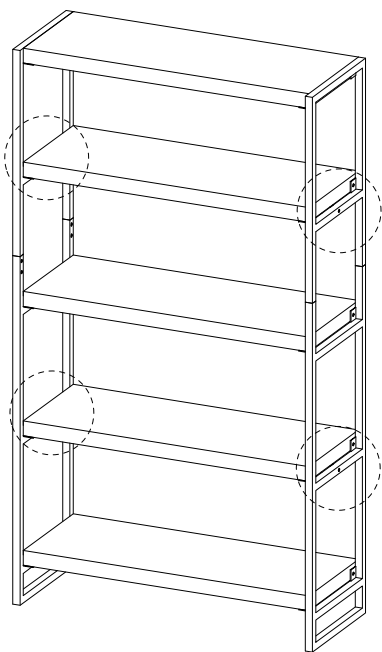
5

<p>E</p>  <p>x 2</p>	<p>G</p>  <p>M6 x 12</p> <p>x 16</p>	<p>H</p>  <p>M6 x 30</p> <p>x 2</p>	<p>J</p>  <p>x 1</p>
---	---	---	---



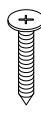



6

<p>J</p>  <p>x 1</p>



7

K  x 1	L  x 1	M  M4 x 35 x 1	N  M3.5 x 16 x 1
--	--	--	---

