

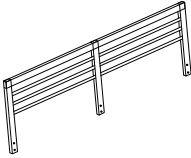
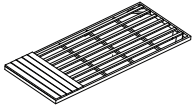
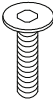
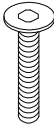
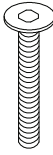
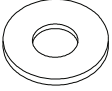
Assembly instructions for the sofa and coffee table. The instructions are organized into two rows, each with a warning icon (a triangle with an exclamation mark) and a clock icon.

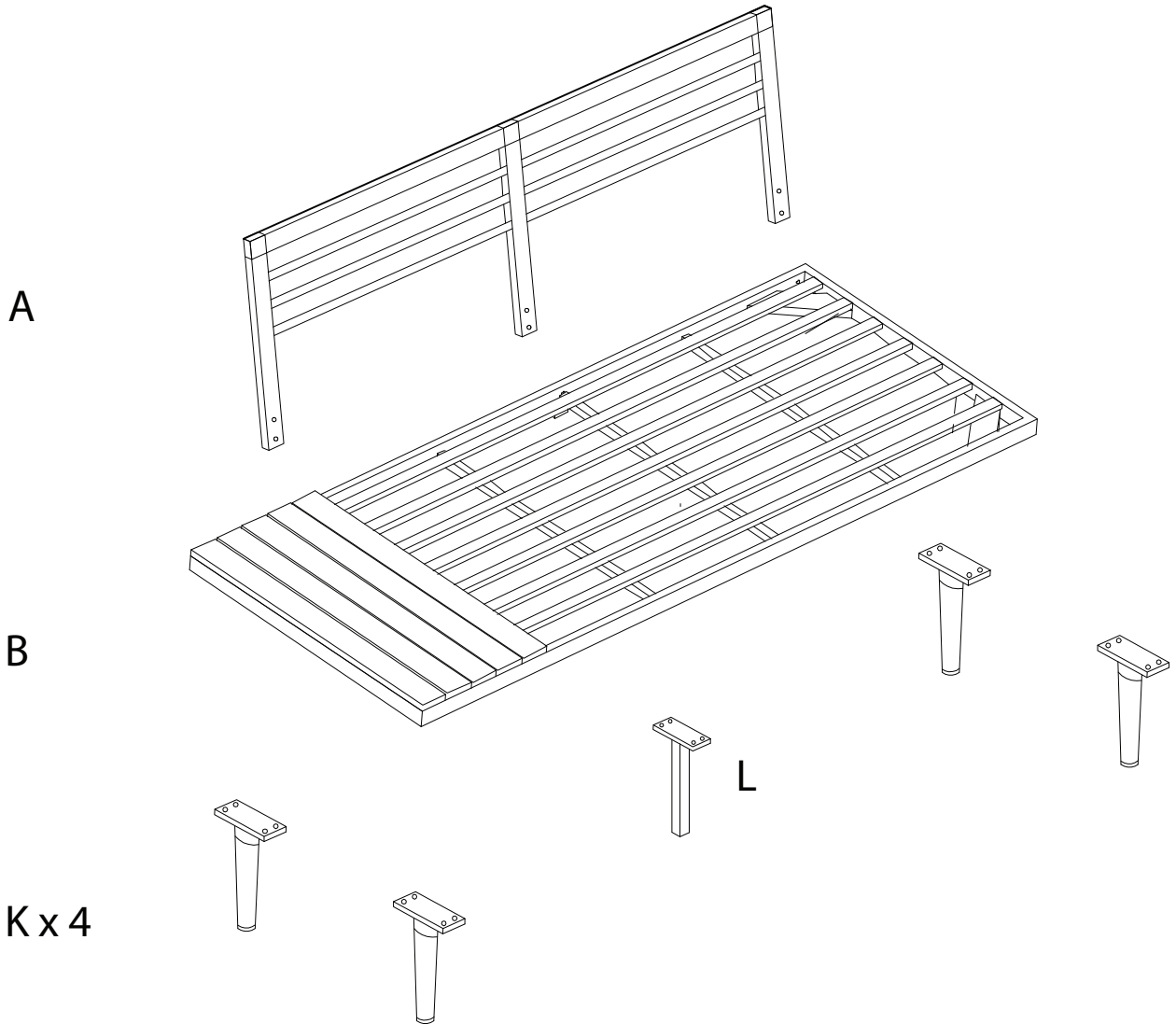
The first row shows a warning icon, a clock icon, and the number '60'. The second row shows a warning icon, a clock icon, and the number '2'.

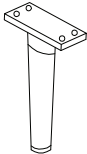
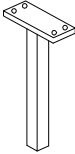
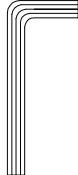
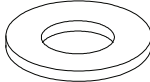
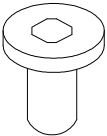
The first row contains two circular icons: the left one shows an L-shaped corner bracket, and the right one shows a power drill with a slash through it, indicating that a power drill should not be used for this step.

The second row contains two circular icons: the left one shows a rectangular block being placed on a slatted surface, and the right one shows a rectangular block with a slash through it, indicating that the block should not be placed on the slatted surface.

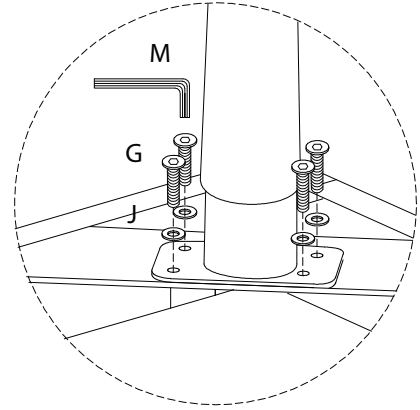
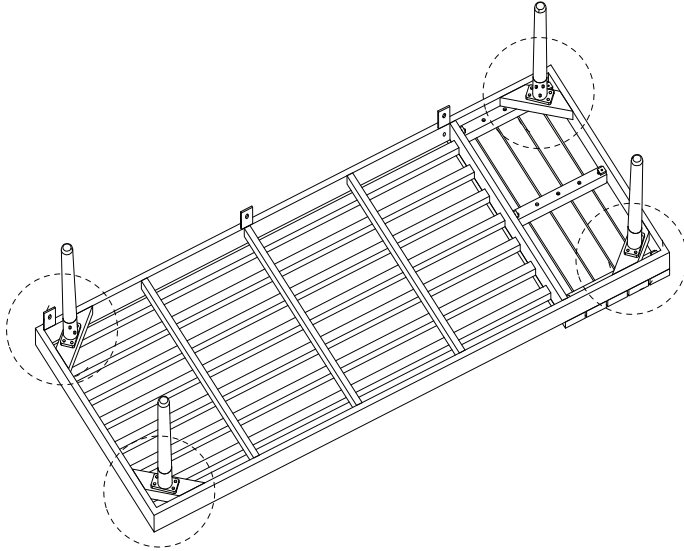
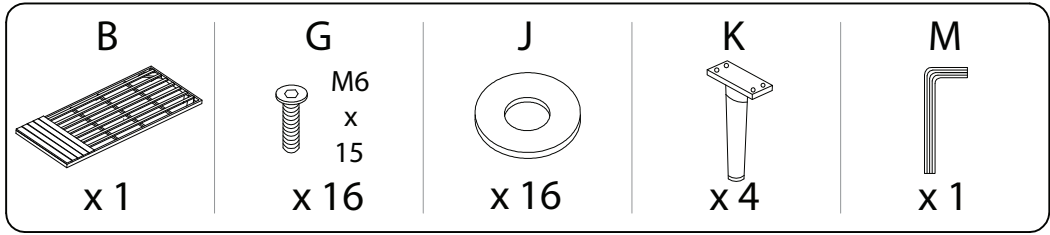
# A

A	B	G	H	I	J
		 M6 x 15	 M6 x 20	 M6 x 50	
x 1	x 1	x 20	x 3	x 3	x 23

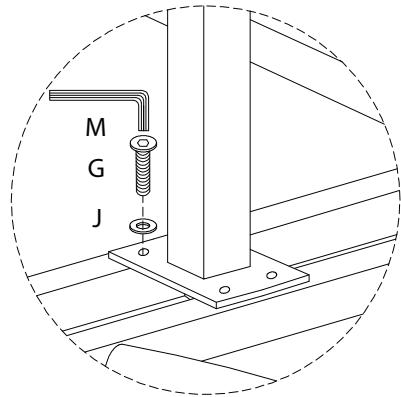
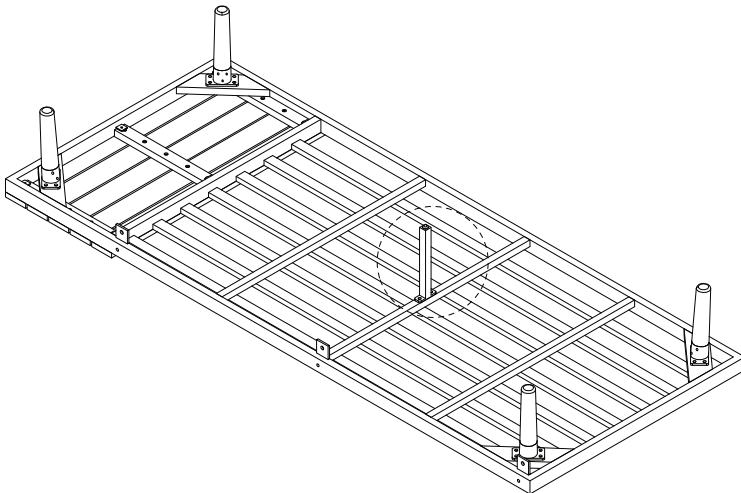
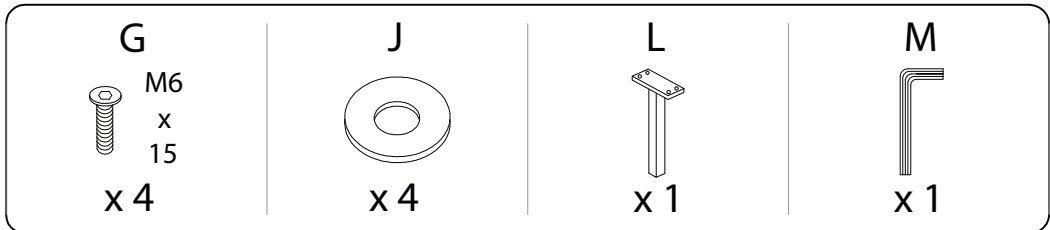


K	L	M	N	O
				
x 4	x 1	x 2	x 3	x 3

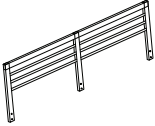
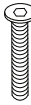
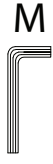
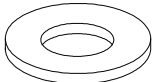
1

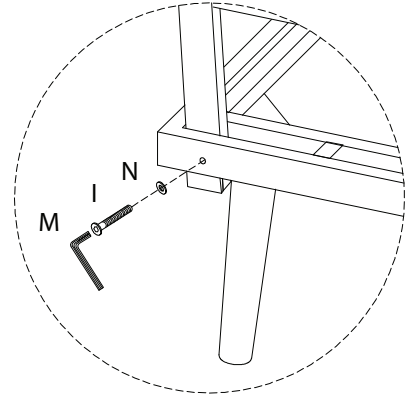
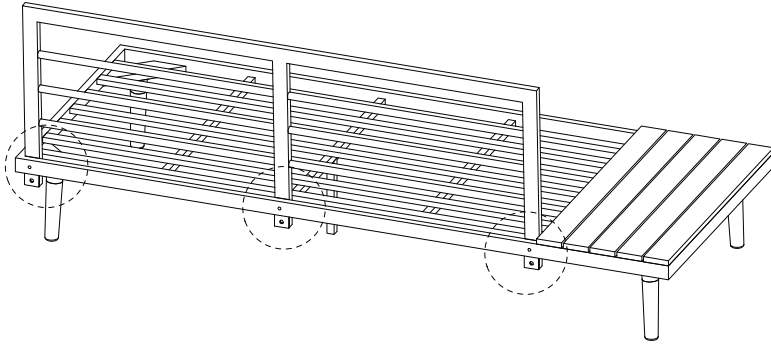


2

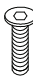


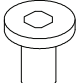


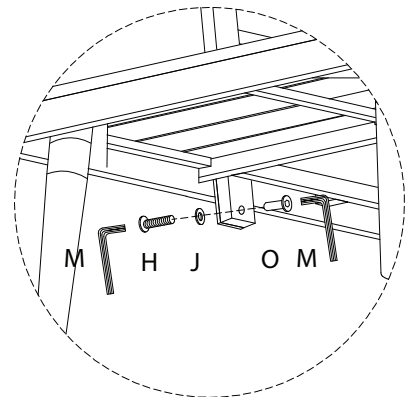
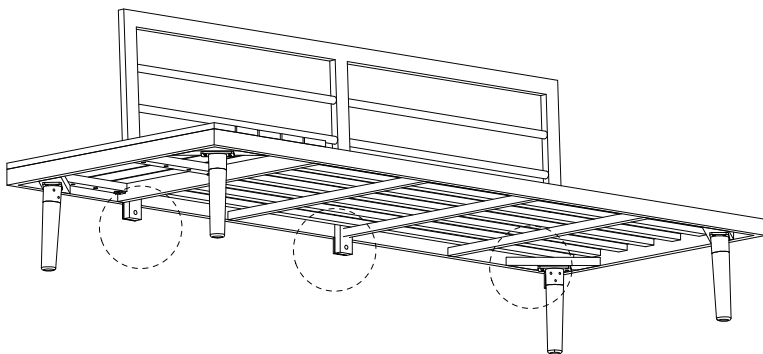
3

<p>A</p>  <p>x1</p>	<p>I</p>  <p>M6 x 50</p> <p>x3</p>	<p>M</p>  <p>x1</p>	<p>N</p>  <p>x3</p>
--	---	---	--

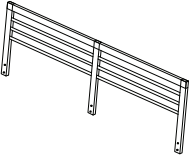
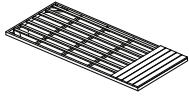
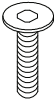
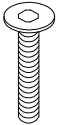
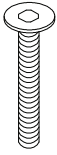
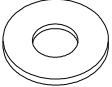


4

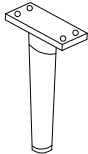
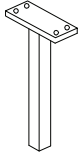
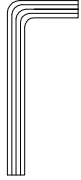

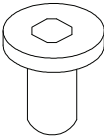
<p>H</p>  <p>M6 x 20</p> <p>x3</p>	<p>J</p>  <p>x3</p>	<p>M</p>  <p>x2</p>	<p>O</p>  <p>x3</p>
---	--	---	--



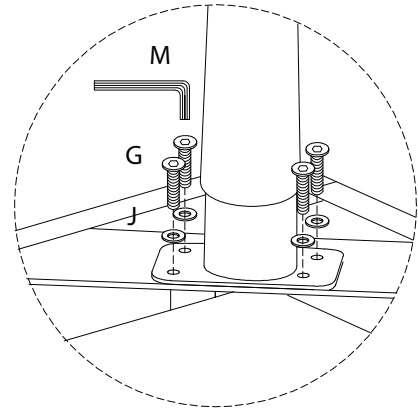
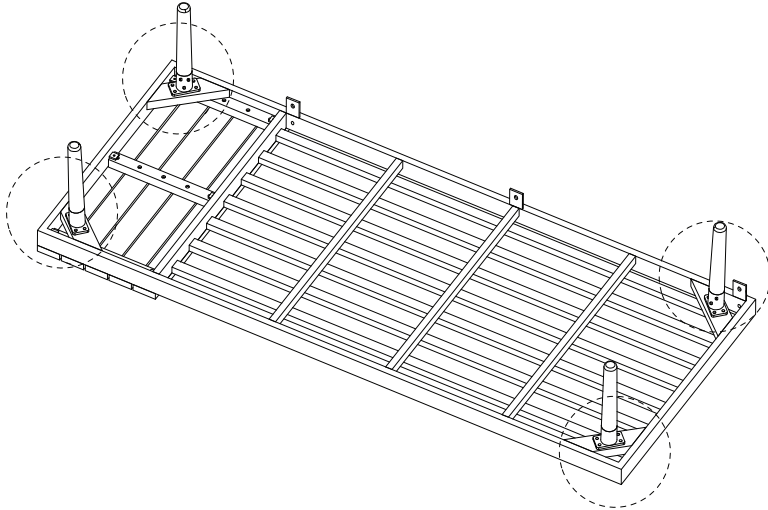
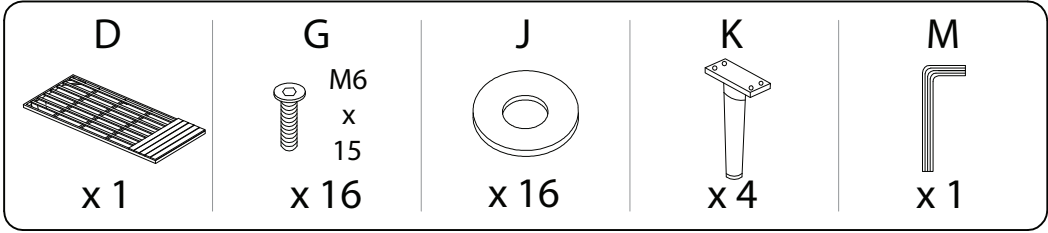
# B

<p><b>C</b></p>  <p><b>x 1</b></p>	<p><b>D</b></p>  <p><b>x 1</b></p>	<p><b>G</b></p>  <p>M6 x 15</p> <p><b>x 20</b></p>	<p><b>H</b></p>  <p>M6 x 20</p> <p><b>x 3</b></p>	<p><b>I</b></p>  <p>M6 x 50</p> <p><b>x 3</b></p>	<p><b>J</b></p>  <p><b>x 23</b></p>
---	---	---	--	--	--

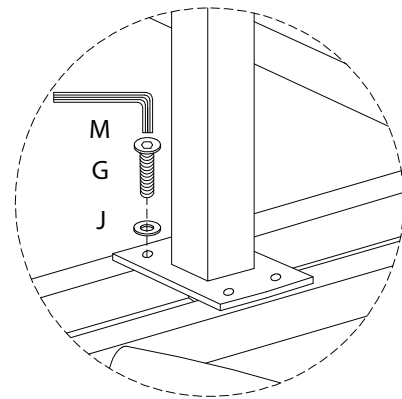
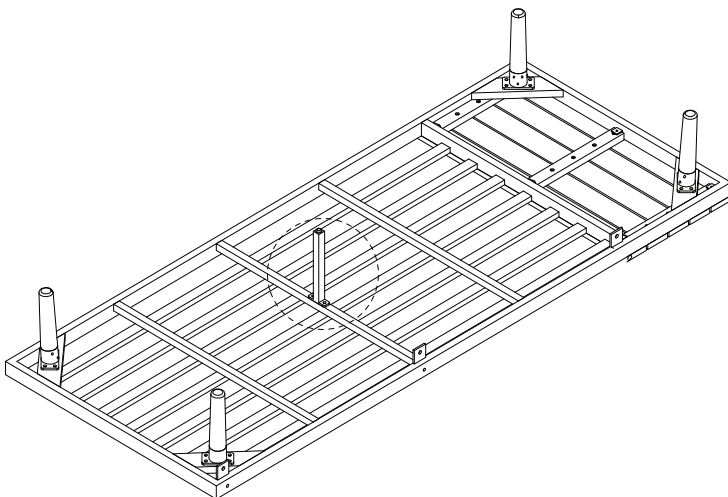
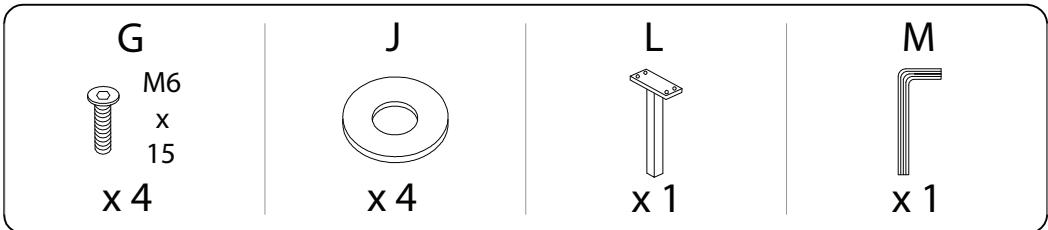


<p><b>K</b></p>  <p><b>x 4</b></p>	<p><b>L</b></p>  <p><b>x 1</b></p>	<p><b>M</b></p>  <p><b>x 2</b></p>	<p><b>N</b></p>  <p><b>x 3</b></p>	<p><b>O</b></p>  <p><b>x 3</b></p>
---	---	---	--	---

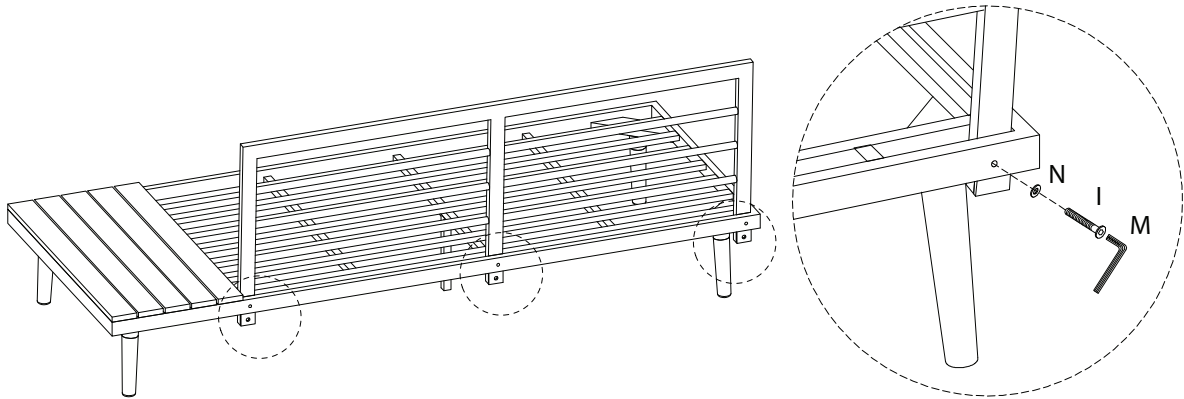
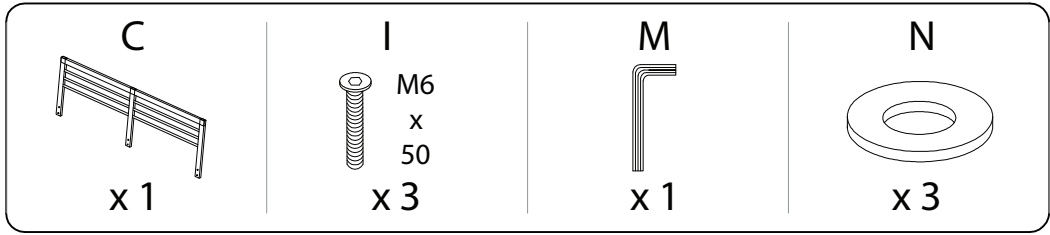
1



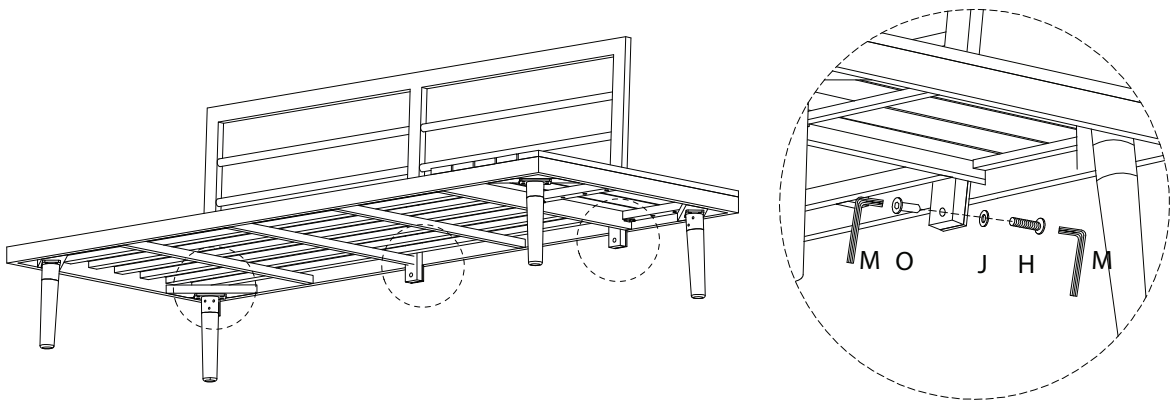
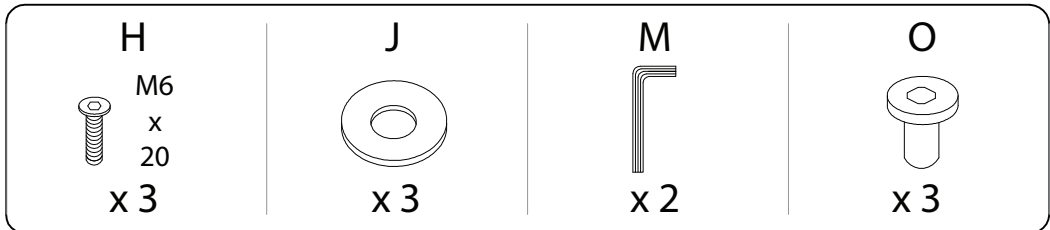
2



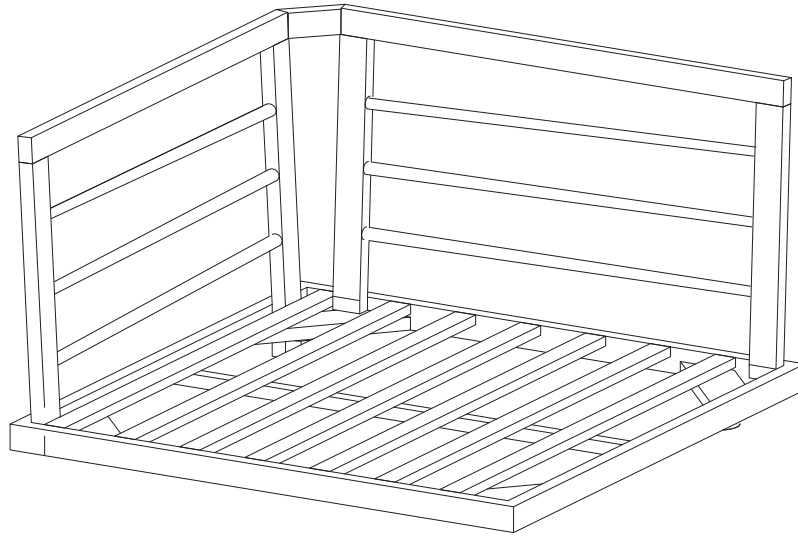
3



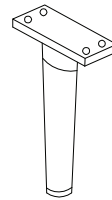
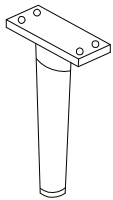
4



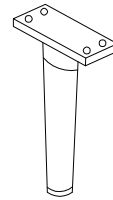
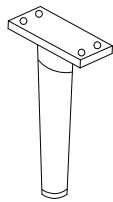
C



E



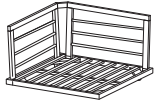
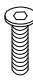
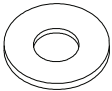
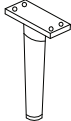
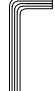
K x 4

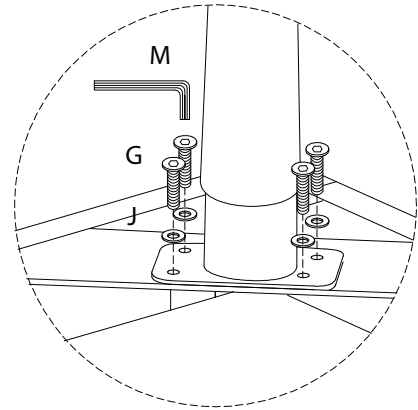
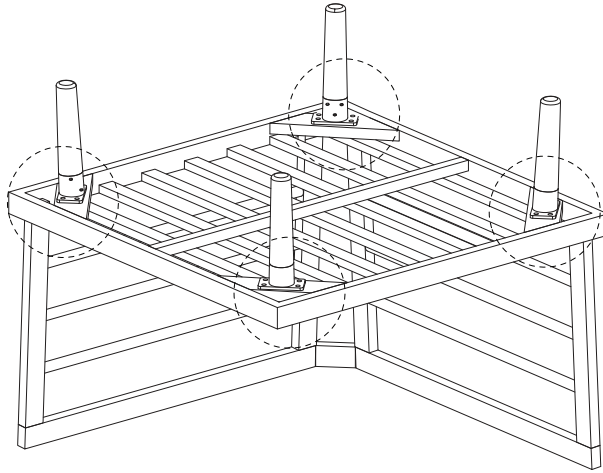


E	G	J	K	M
	M6 x 15			
x 1	x 16	x 16	x 4	x 1

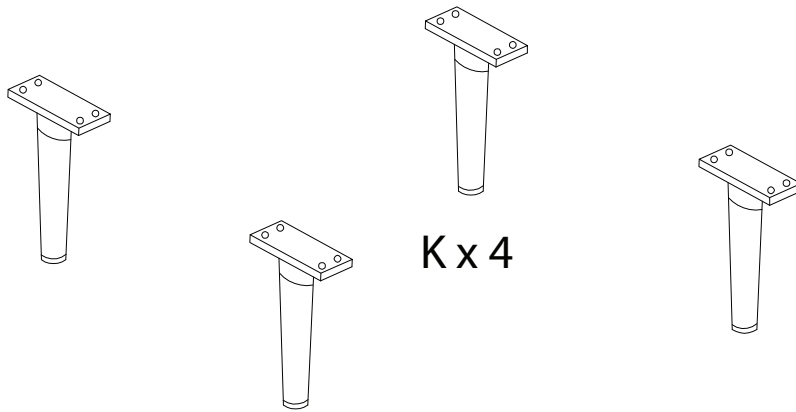
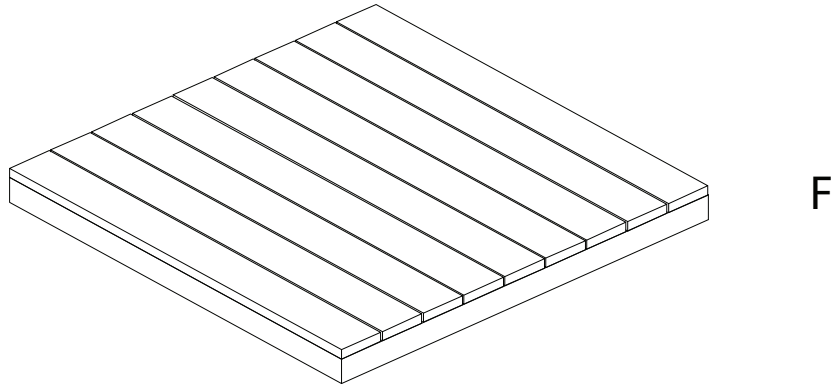


1

<p><b>E</b></p>  <p>x 1</p>	<p><b>G</b></p>  <p>M6 x 15</p> <p>x 16</p>	<p><b>J</b></p>  <p>x 16</p>	<p><b>K</b></p>  <p>x 4</p>	<p><b>M</b></p>  <p>x 1</p>
--	--	---	--	--



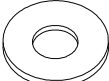
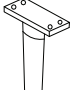
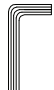


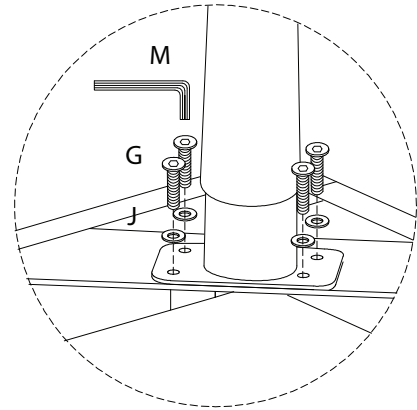
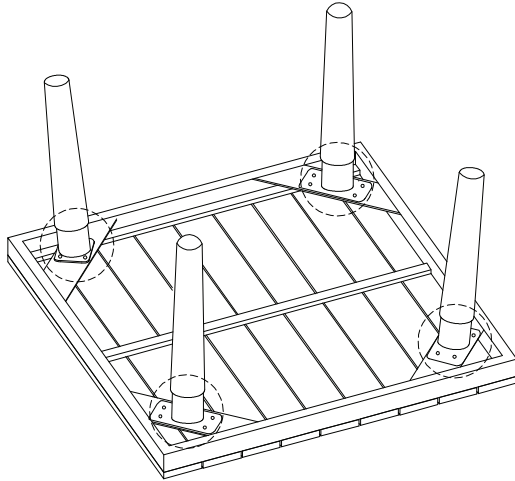
# D

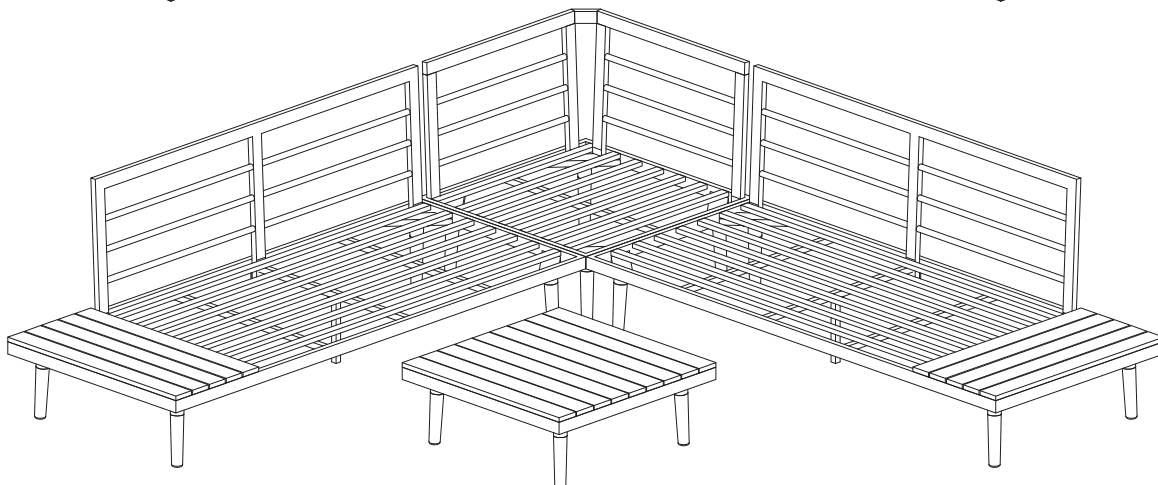
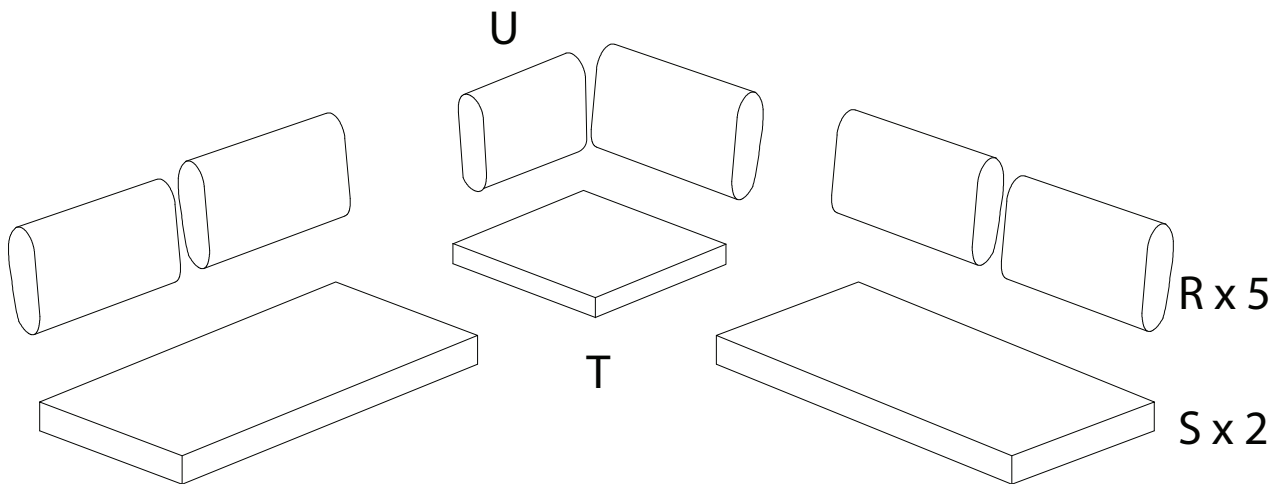



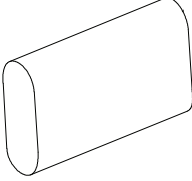
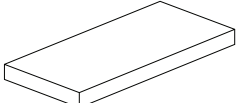
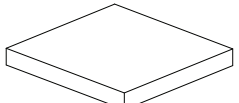
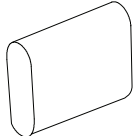
F	G	J	K	M
	<p>M6 x 15</p>			
x 1	x 16	x 16	x 4	x 1

1

<b>F</b>  x 1	<b>G</b>  M6 x 15 x 16	<b>J</b>  x 16	<b>K</b>  x 4	<b>M</b>  x 1
--	--	---	--	--





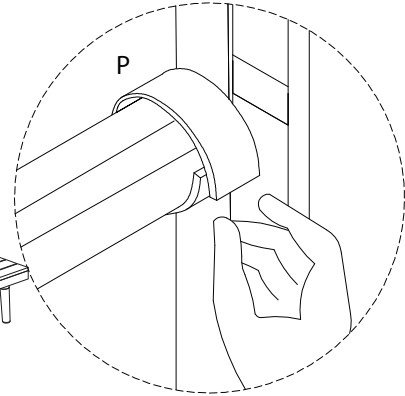
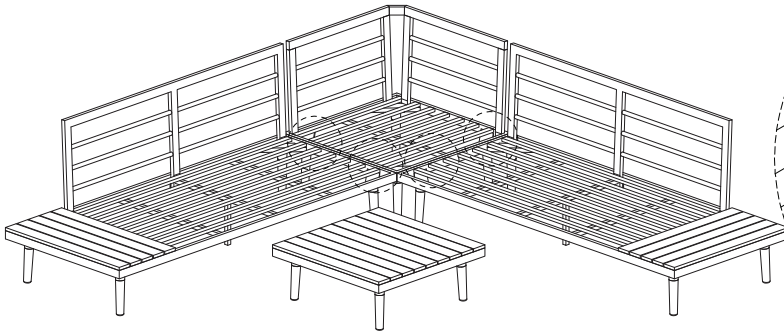
P	R	S	T	U
				
x 4	x 5	x 2	x 1	x 1

1

P

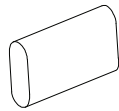


x 4



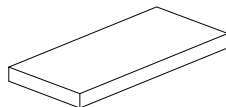
2

R



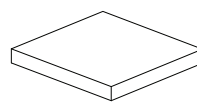
x 5

S



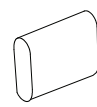
x 2

T



x 1

U



x 1

