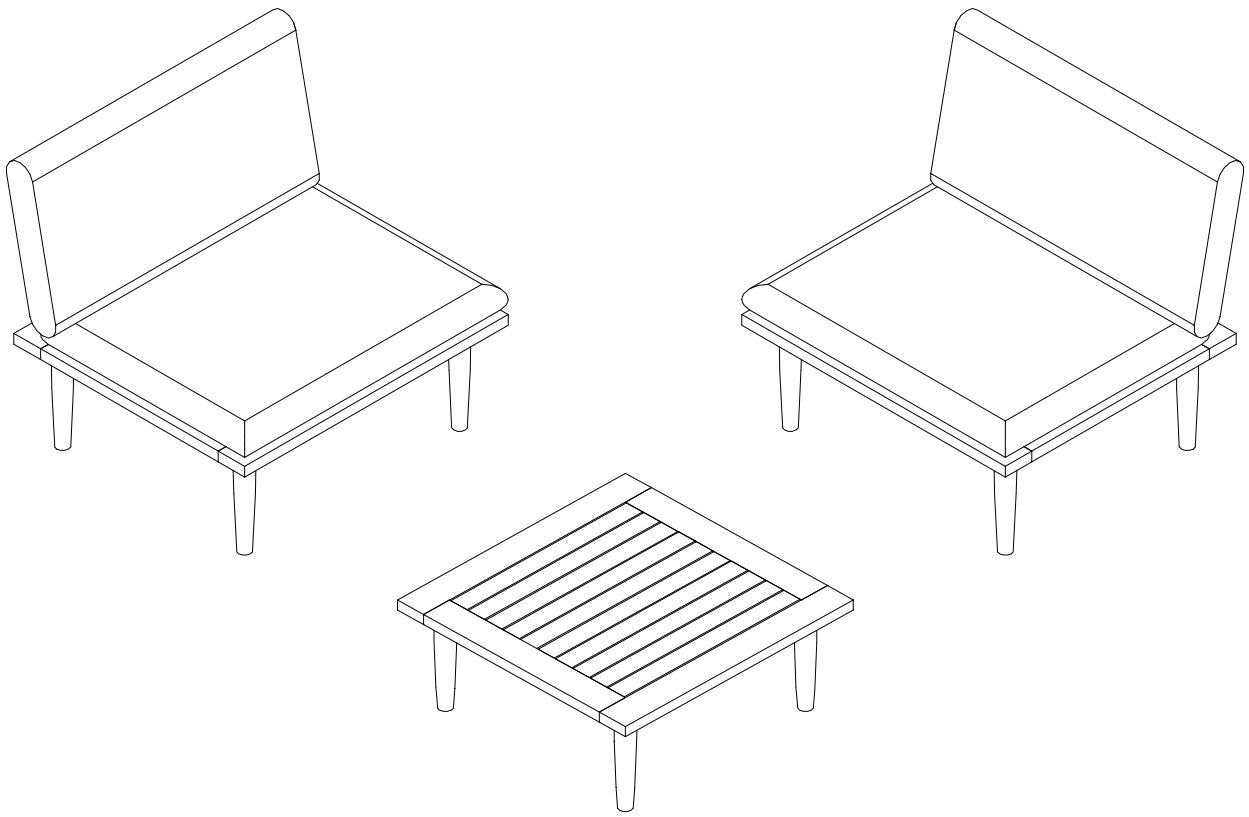
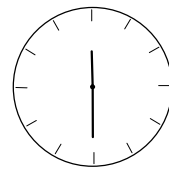
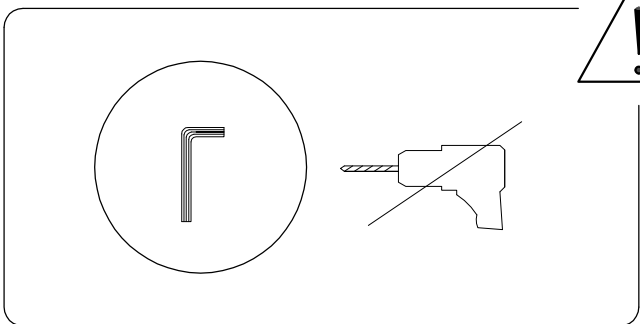
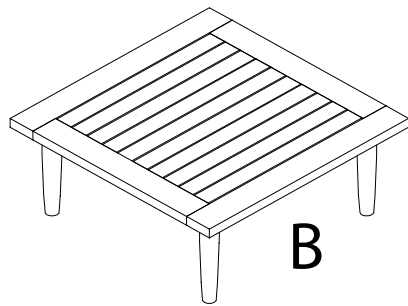
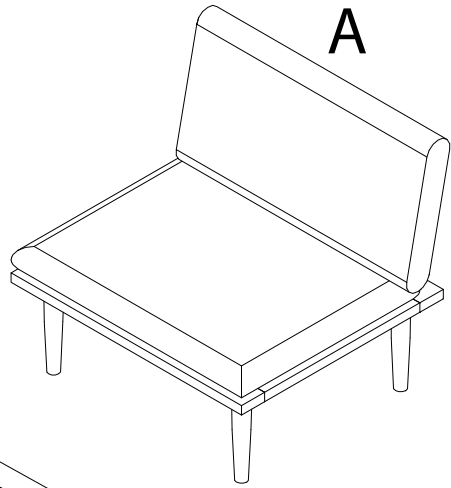
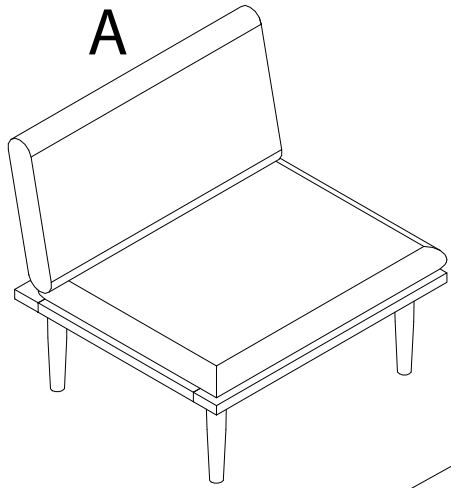
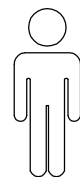
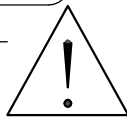
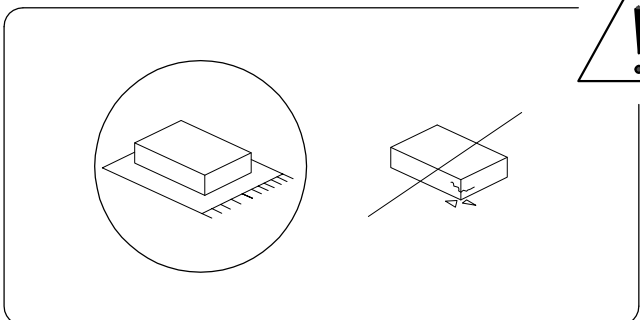


# FRASCATI



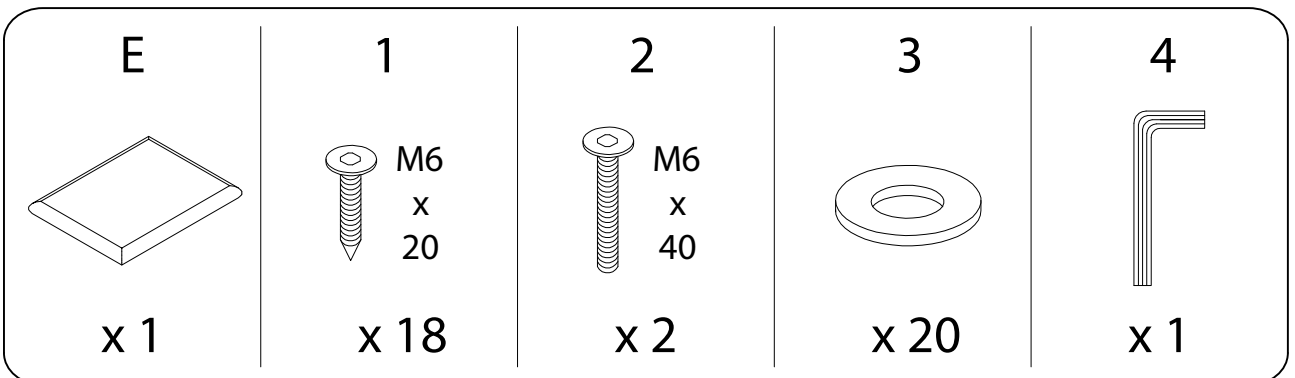
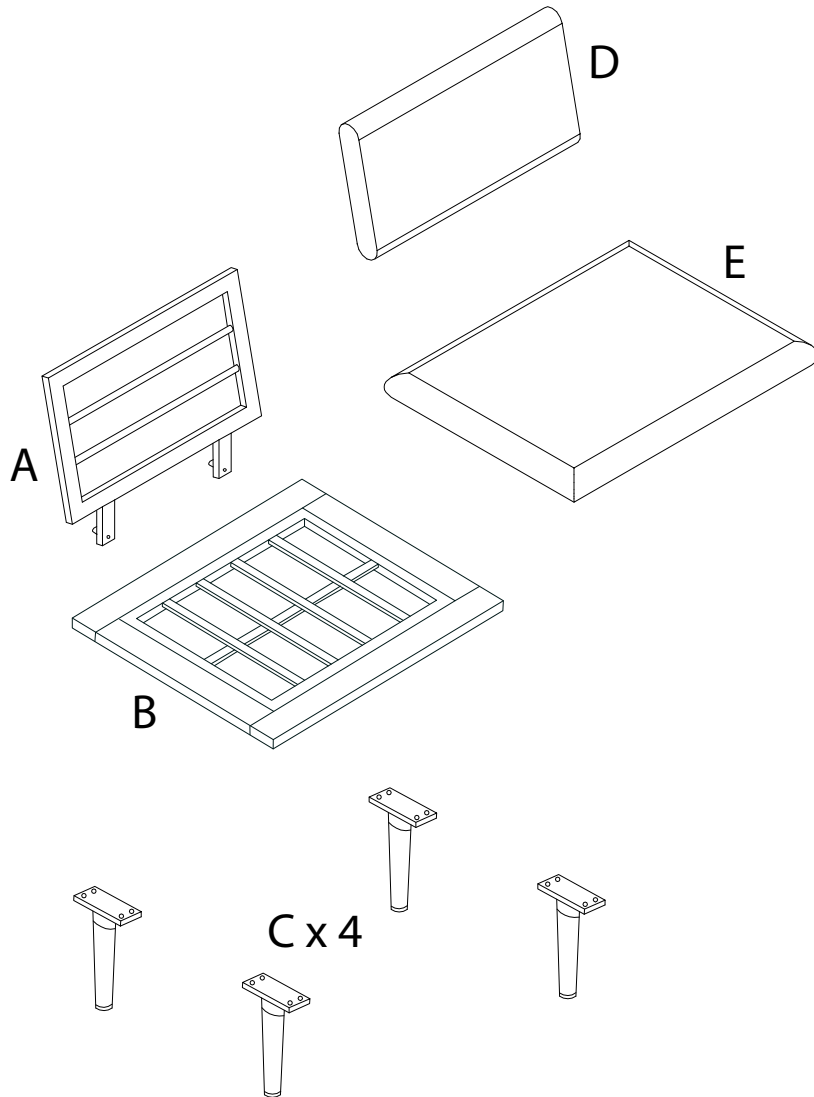
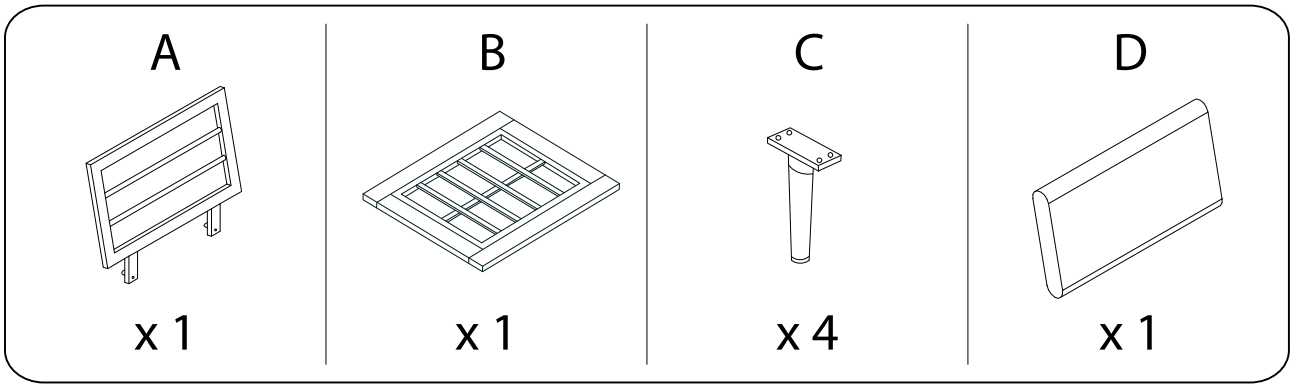


30'

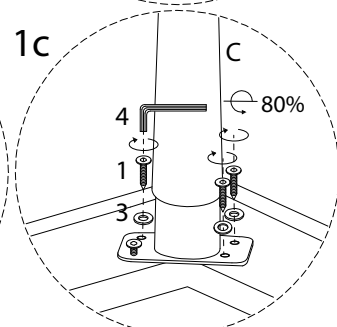
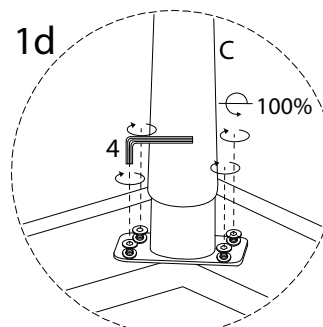
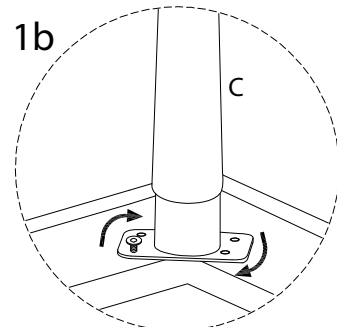
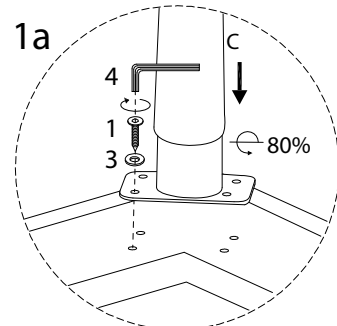
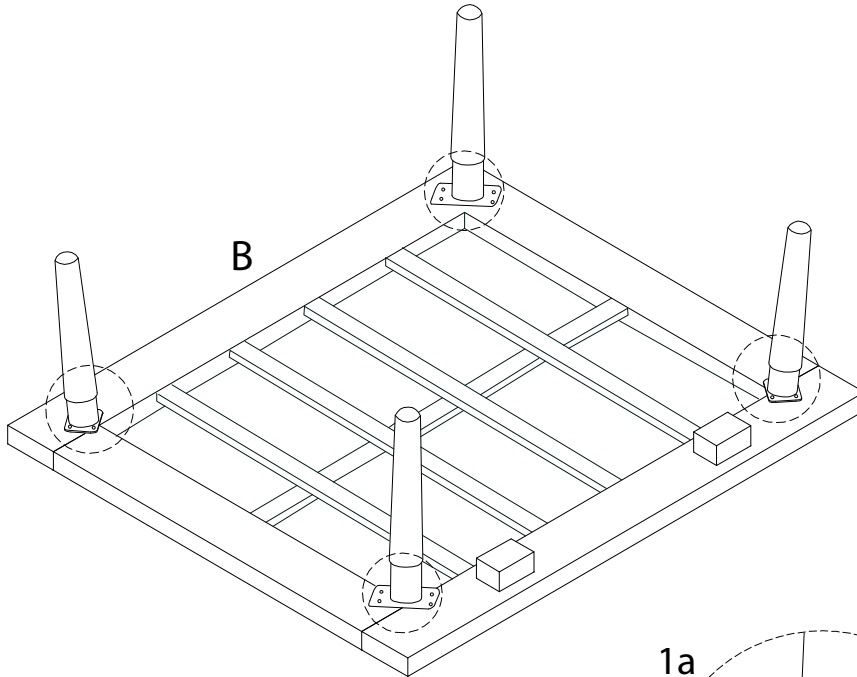
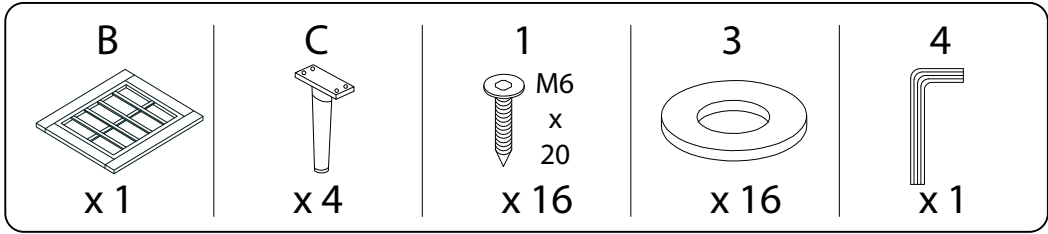


2

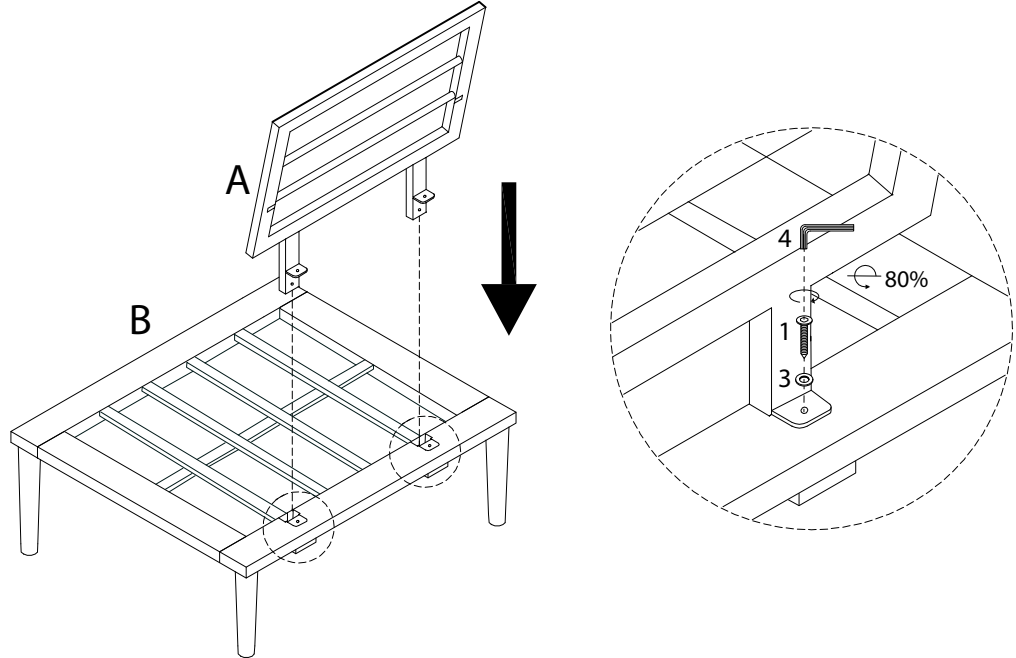
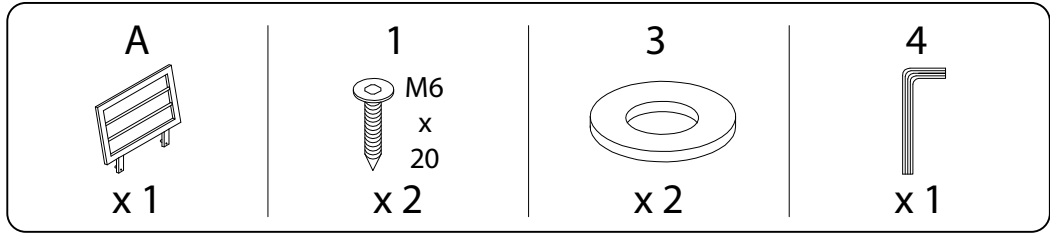
# A x 2



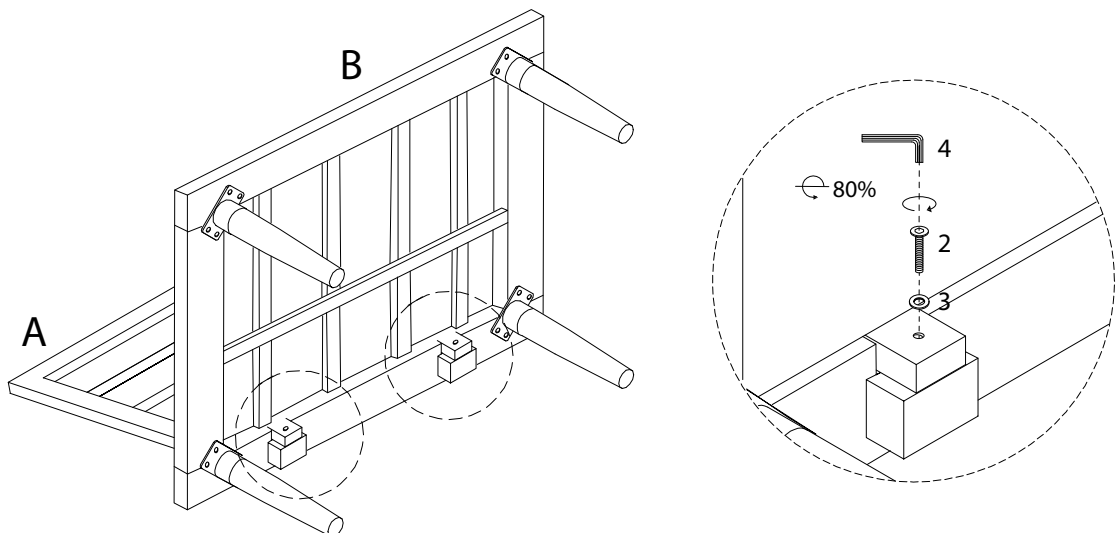
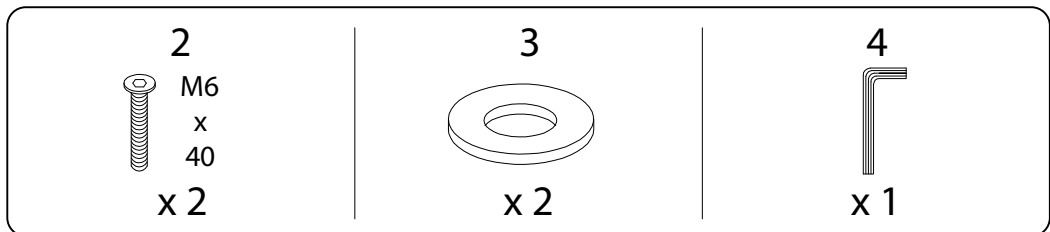
1



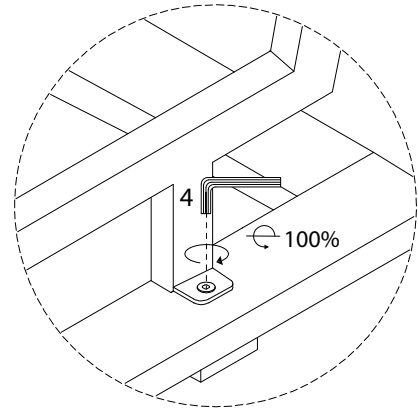
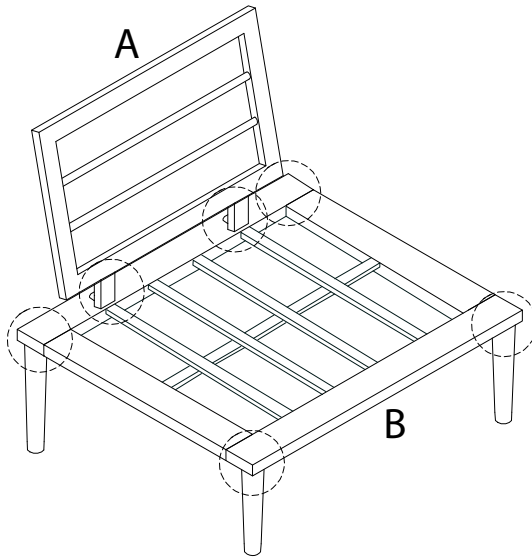
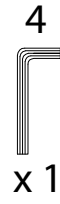
2



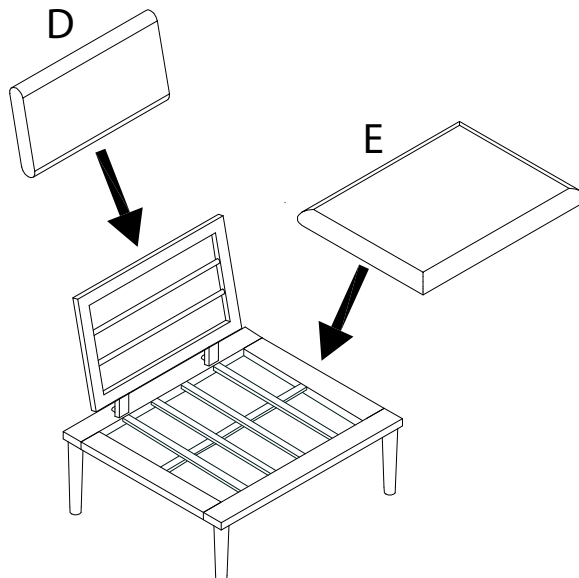
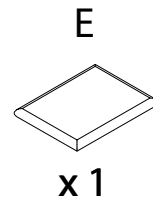
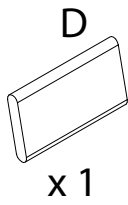
3



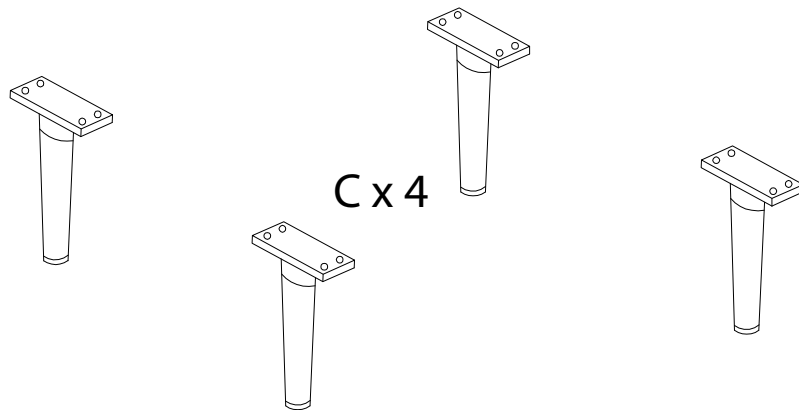
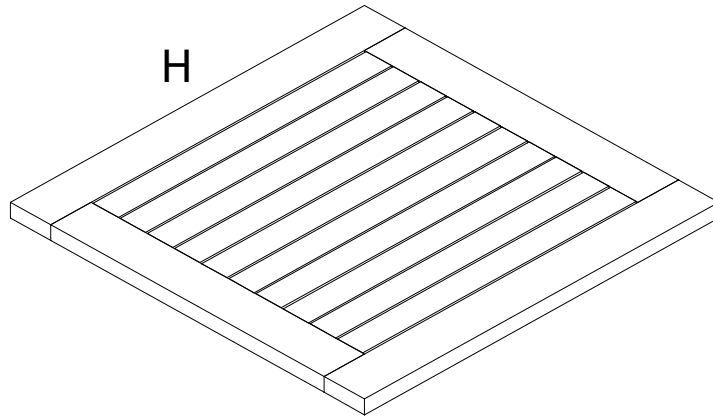
!

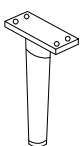
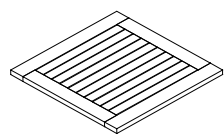
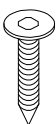
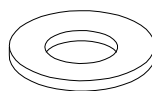
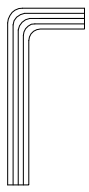


4

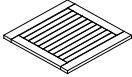
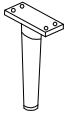
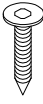
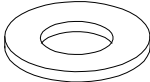
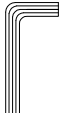


# B



<b>C</b>  <b>x 4</b>	<b>H</b>  <b>x 1</b>	<b>1</b>  M6 x 20 <b>x 16</b>	<b>3</b>  <b>x 16</b>	<b>4</b>  <b>x 1</b>
---	---	--	---	---

1

<b>B</b>  x 1	<b>C</b>  x 4	<b>1</b>  M6 x 20 x 16	<b>3</b>  x 16	<b>4</b>  x 1
--	--	--	---	--

