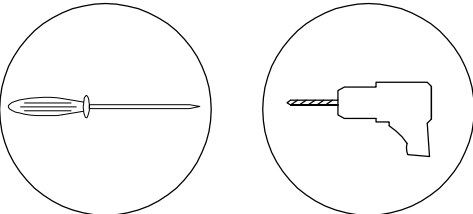
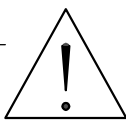
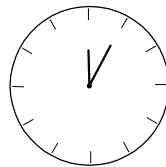

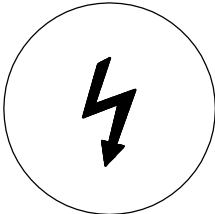
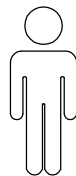
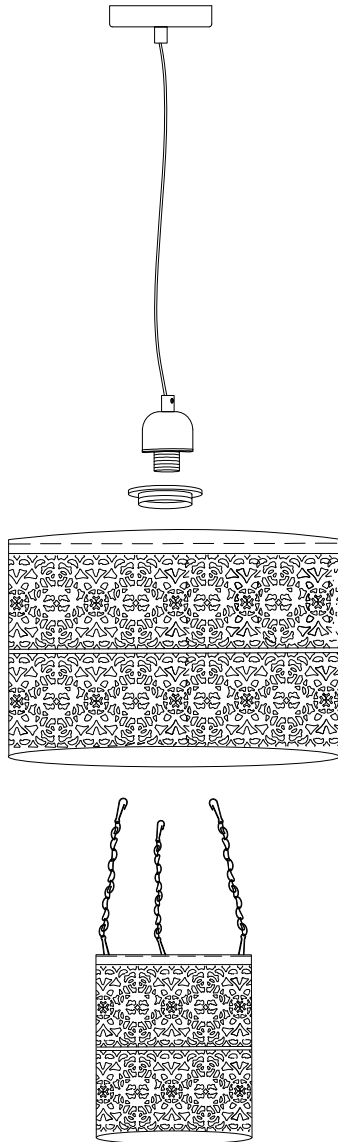
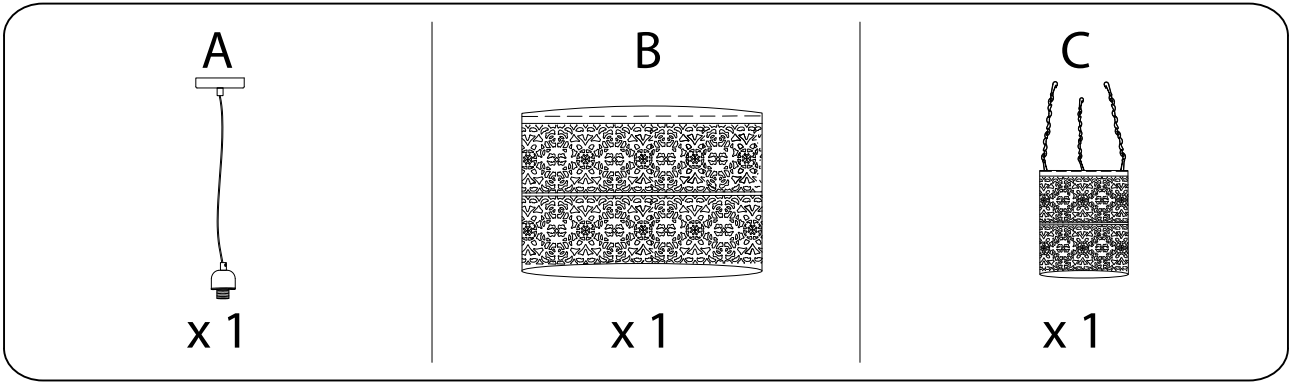


| | | |
|---|---|---|
|  |  |  |
| |  | 5' |
|  | |  |
| | | 1 |

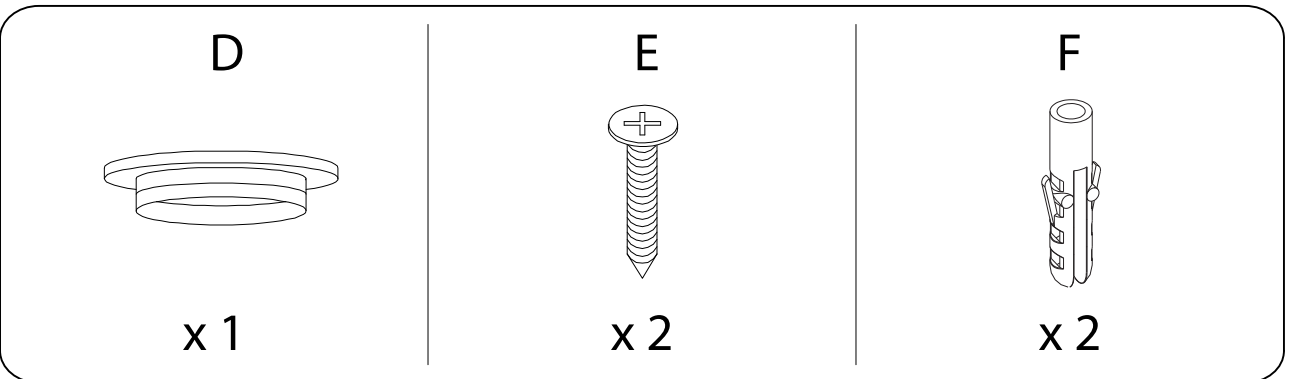


A x 1

D x 1

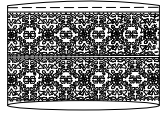
B x 1

C x 1



1

B

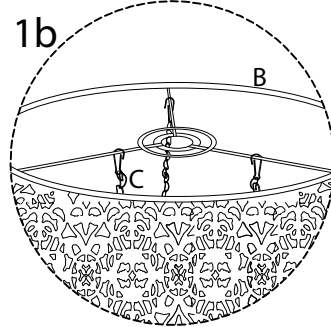
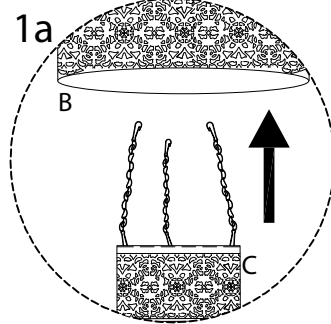
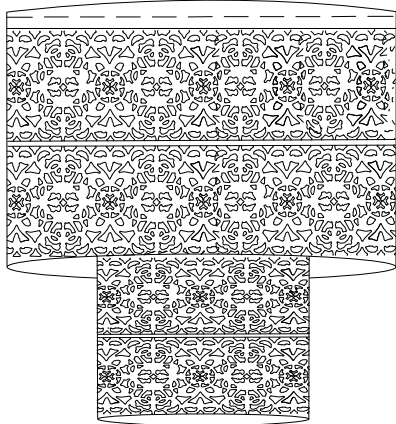


x 1

C



x 1



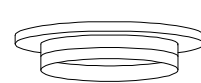
2

A

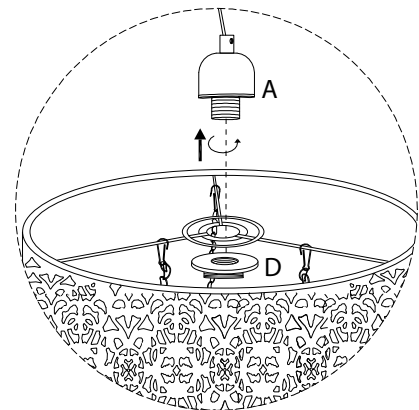
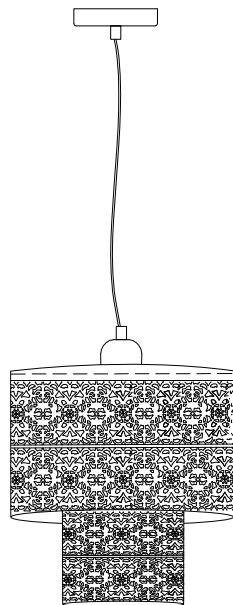


x 1

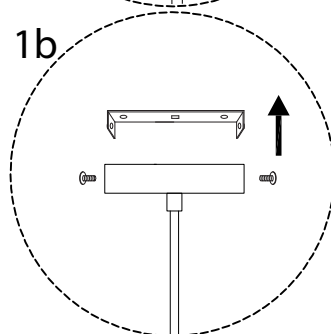
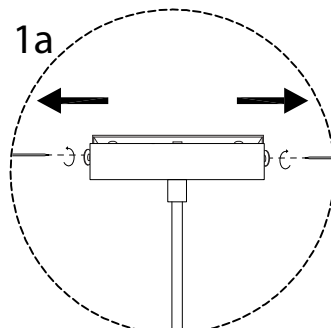
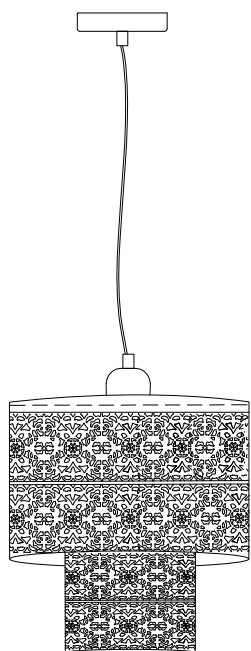
D



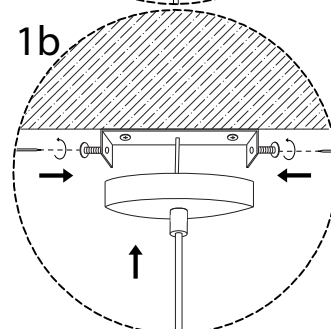
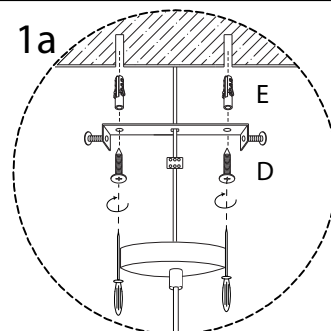
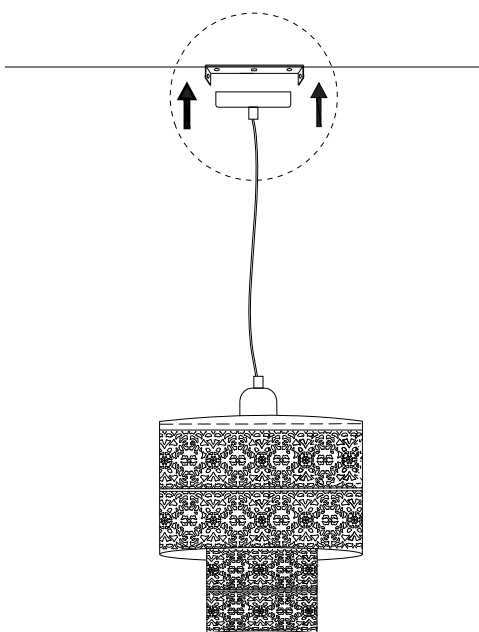
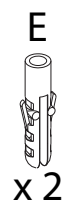
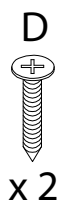
x 1



3



4



5

