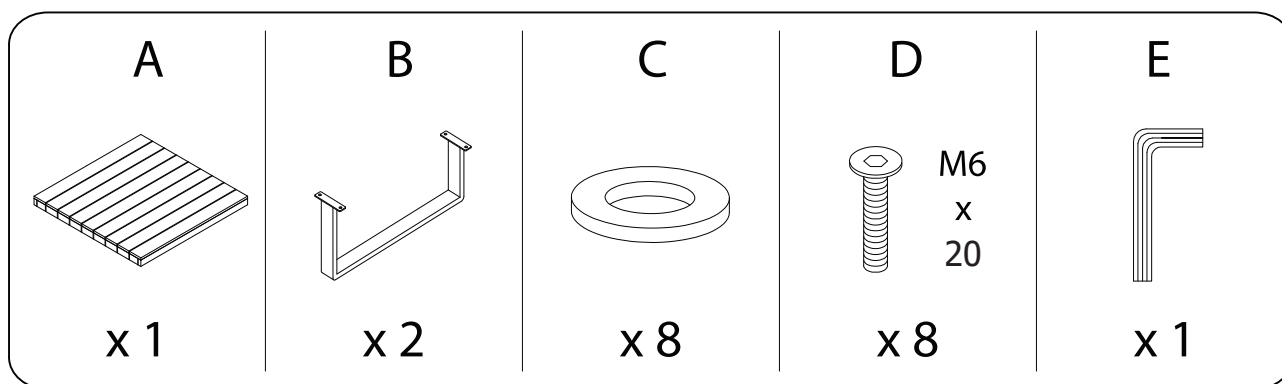


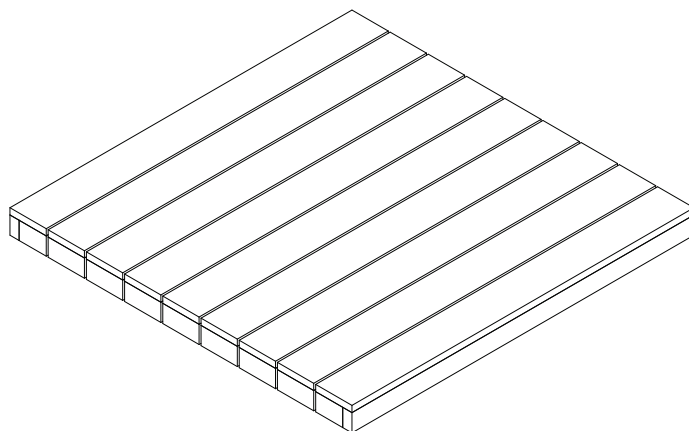
Diagram illustrating assembly instructions and safety warnings:

- Warning 1:** A warning triangle with an exclamation mark is shown next to a circular inset containing an L-shaped metal bracket and a crossed-out power drill icon, indicating that a power drill should not be used for this step.
- Warning 2:** A second warning triangle with an exclamation mark is shown next to a circular inset containing a rectangular block being placed on a slatted surface and a crossed-out icon of the block being placed on a flat surface, indicating that the block should be placed on the slatted surface.
- Time:** A clock icon is shown next to the text "60'", indicating a 60-minute assembly time.
- Person:** A person icon is shown next to the number "1", indicating that one person is required for assembly.

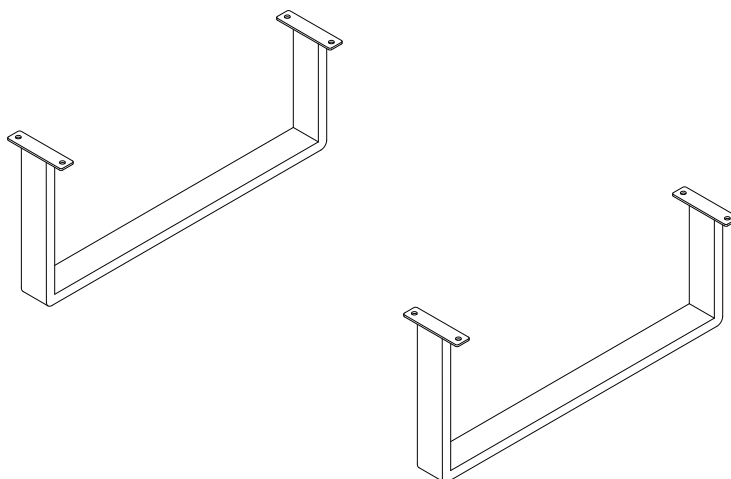
A



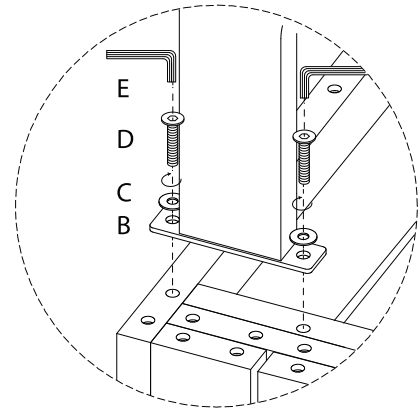
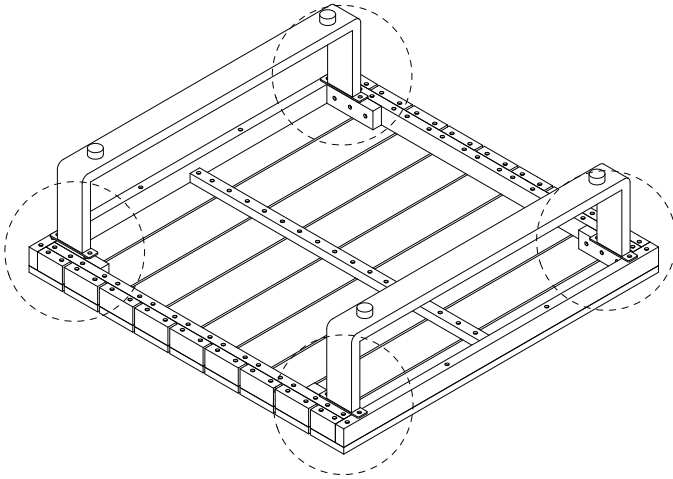
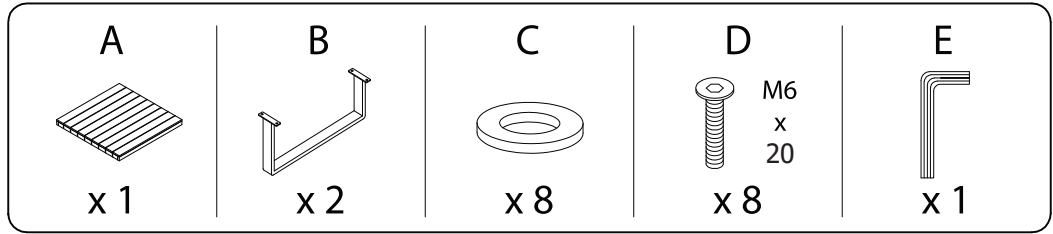
A



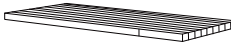
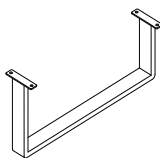
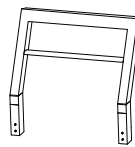
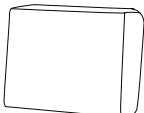

B x 2



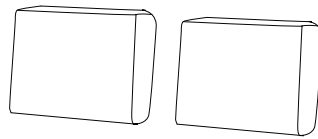
1



B

<p>A</p>  <p>x 1</p>	<p>B</p>  <p>x 2</p>	<p>C</p>  <p>x 2</p>	<p>D</p>  <p>x 2</p>	<p>E</p>  <p>x 1</p>
---	---	---	--	---

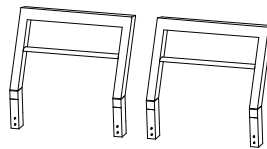
D x 2



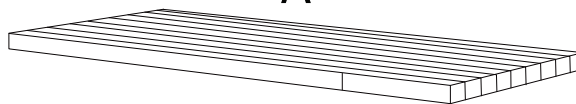
E



C x 2

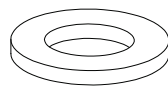
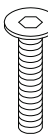
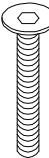
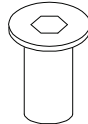



A

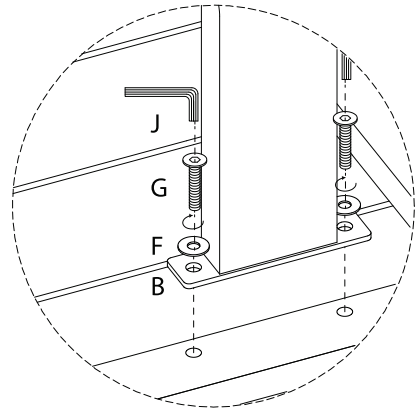
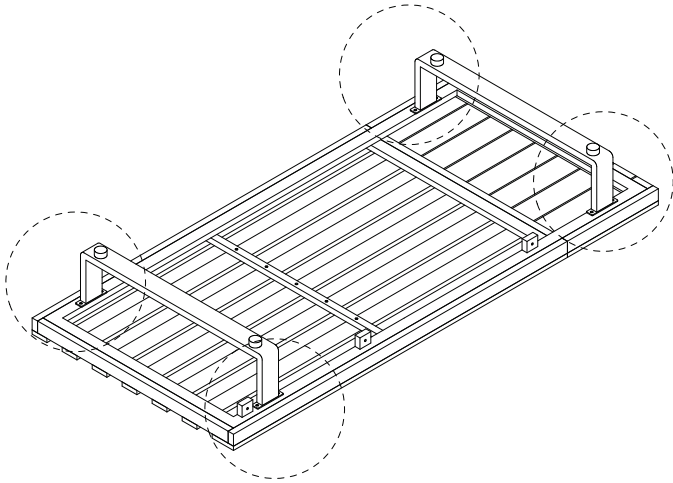
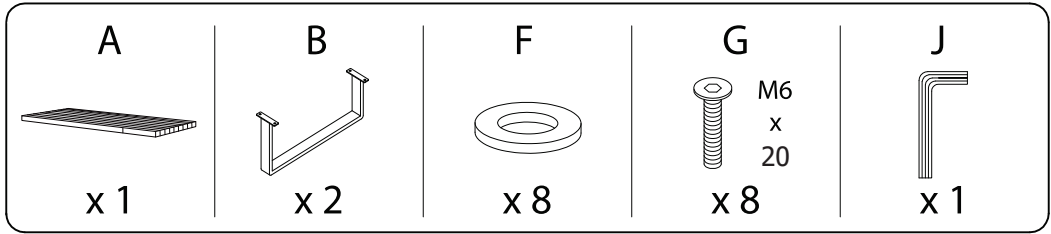


B x 2

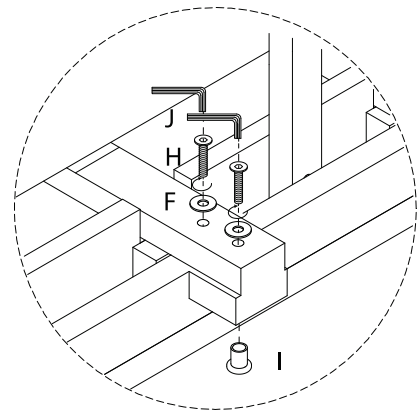
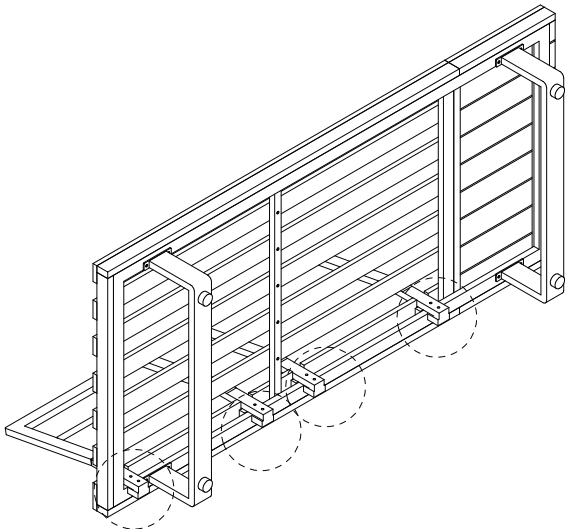
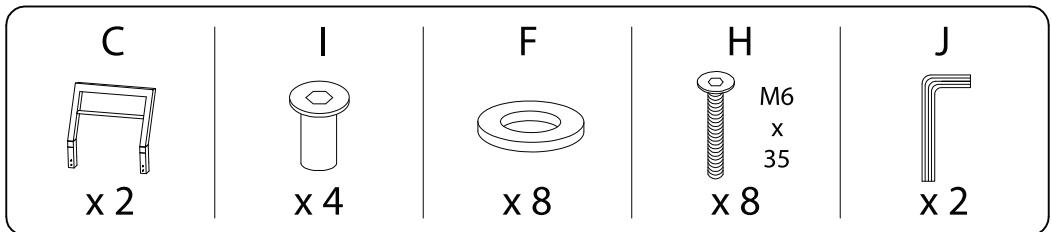


<p>F</p>  <p>x 16</p>	<p>G</p>  <p>M6 x 20</p> <p>x 8</p>	<p>H</p>  <p>M6 x 35</p> <p>x 8</p>	<p>I</p>  <p>x 4</p>	<p>J</p>  <p>x 1</p>
--	--	--	---	---

1



2

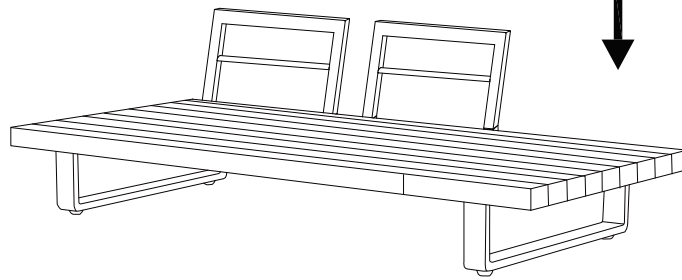
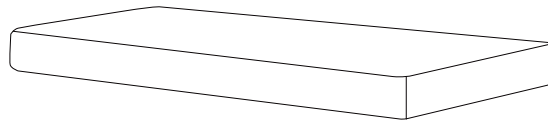


3

E

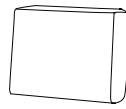


x 1

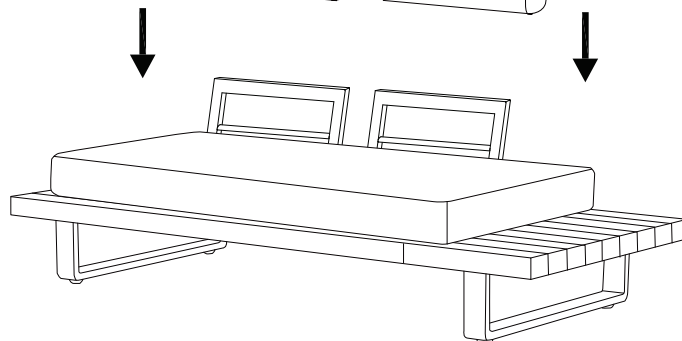
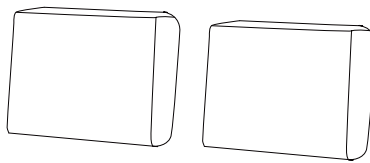


4

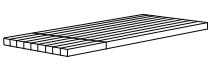



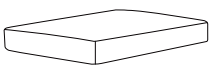
D



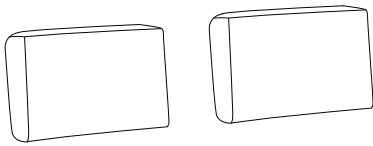
x 2



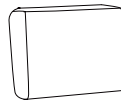
C

A  x 1	B  x 1	C  x 4	D  x 1	E  x 1
---	---	---	--	---

F x 2



G



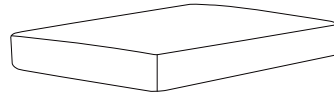
H



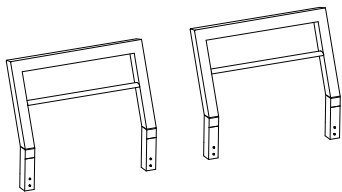
D



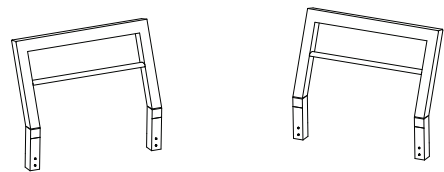
E



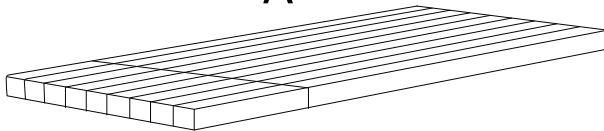
C x 2



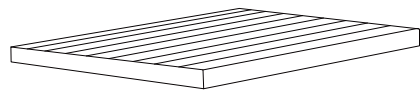
C x 2



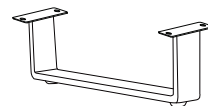
A



B



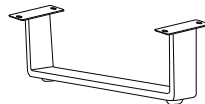
I



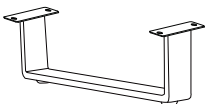
P



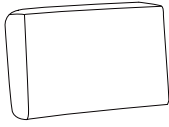
I



I

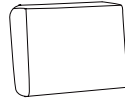


F



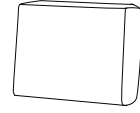
x 2

G



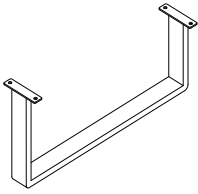
x 1

H



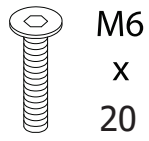
x 1

I



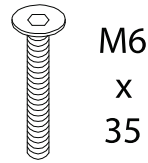
x 3

J



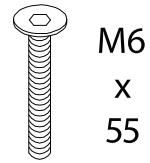
x 14

K



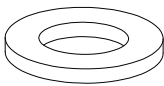
x 16

L



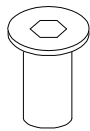
x 2

M



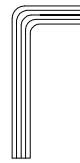
x 32

N



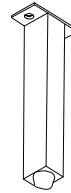
x 8

O



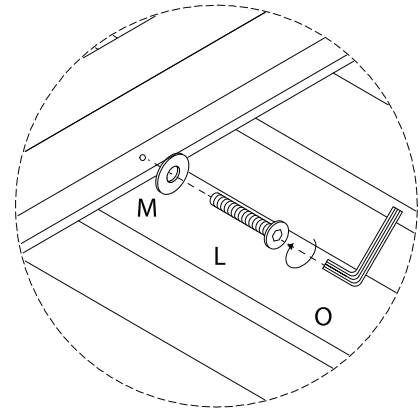
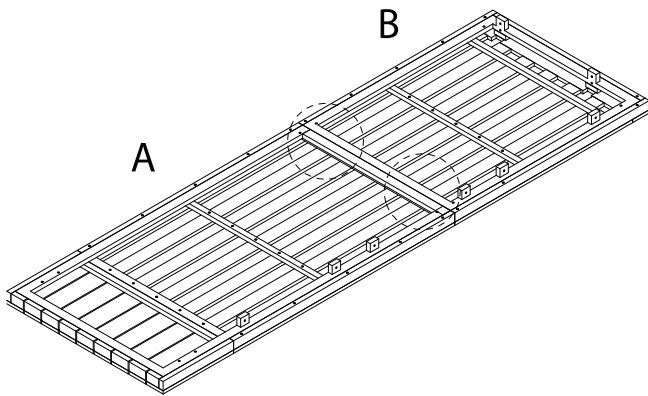
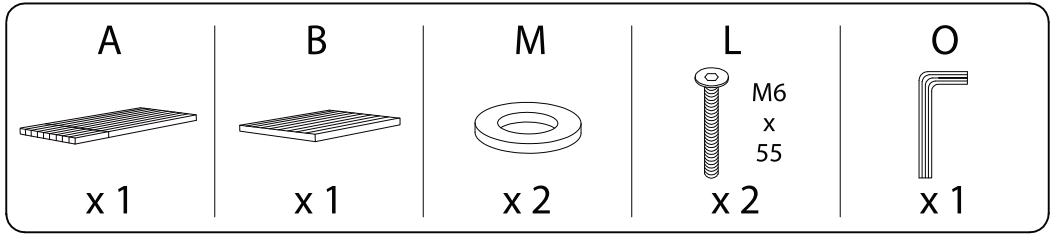
x 2

P

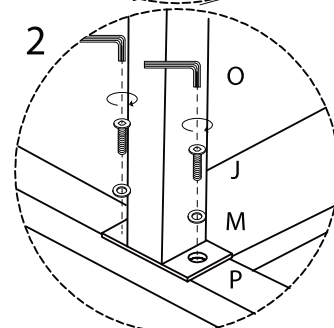
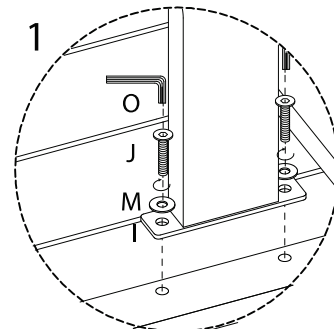
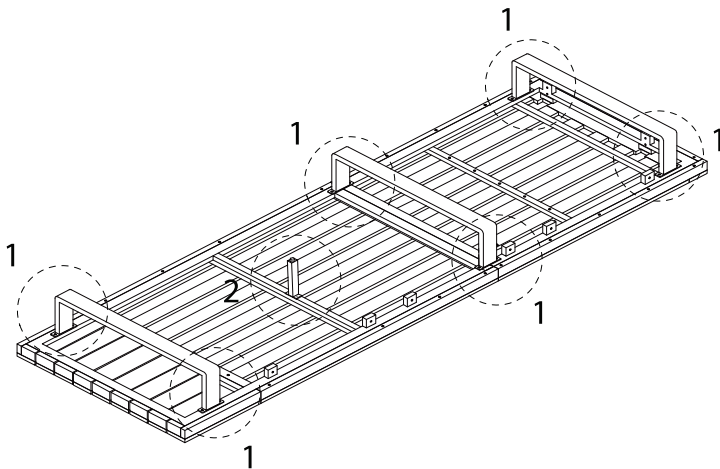
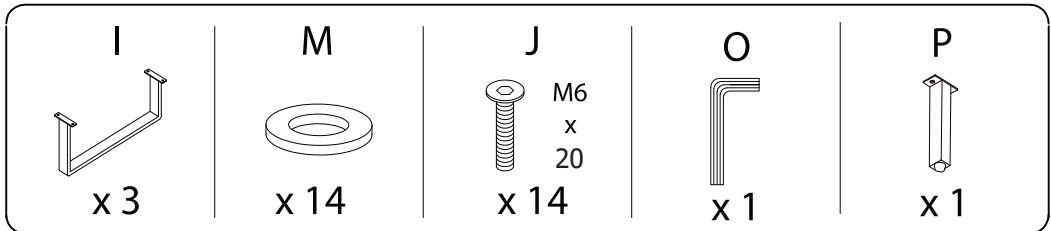


x 1

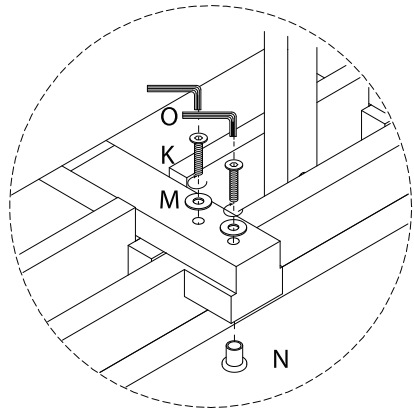
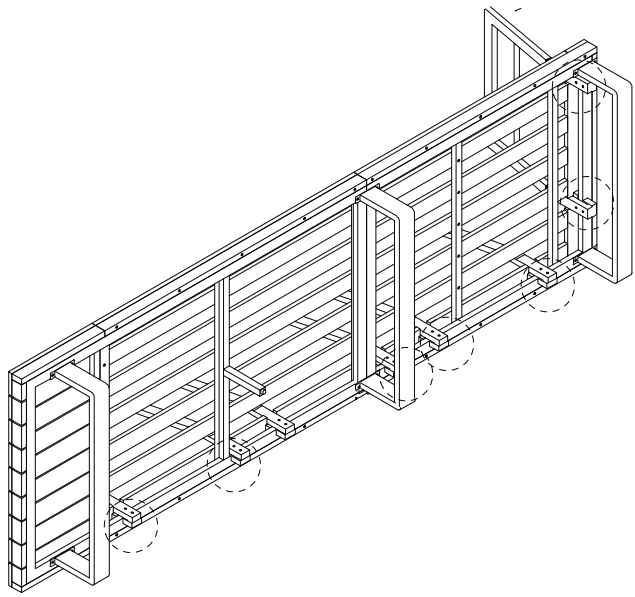
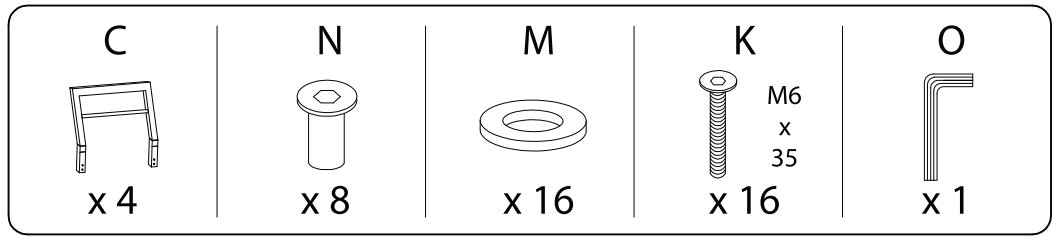
1



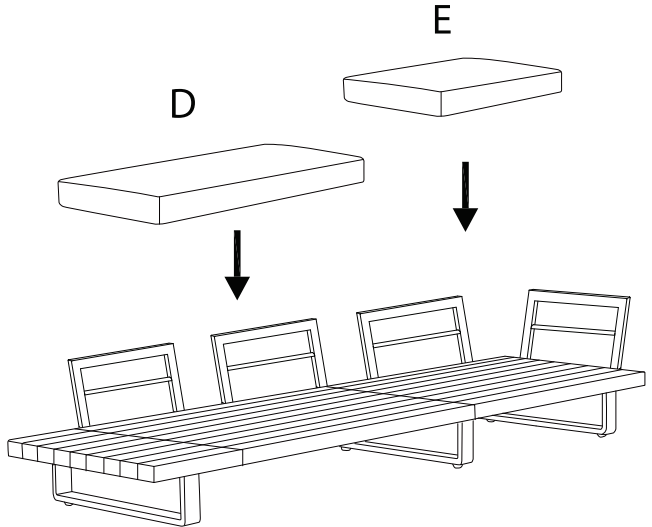
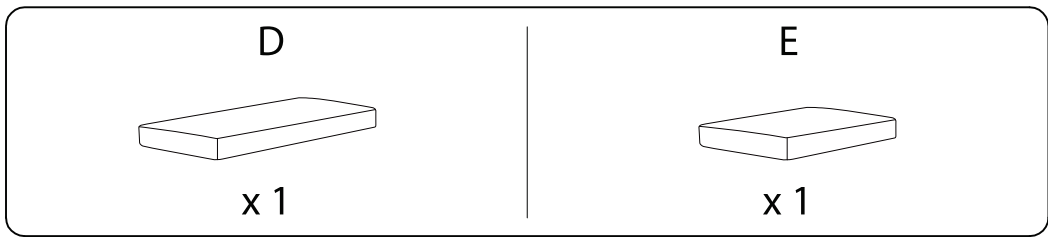
2



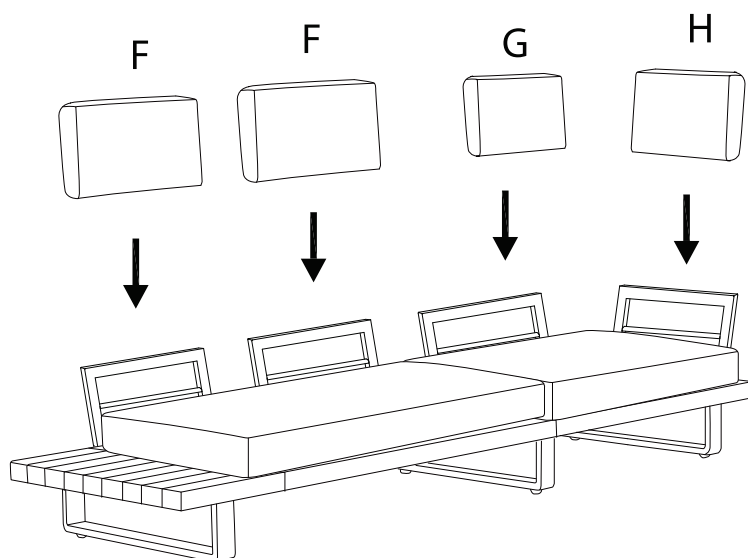
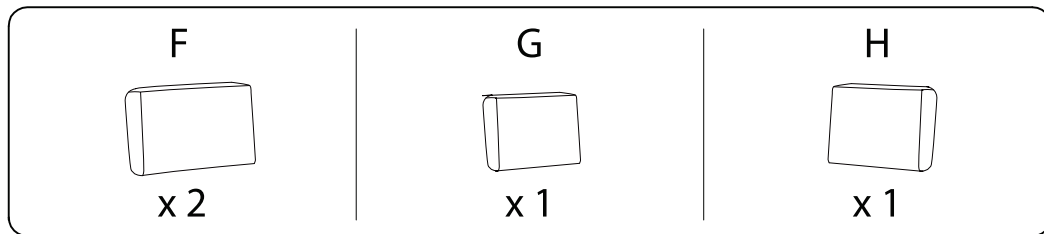
3



4



5



6

