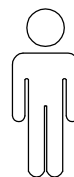
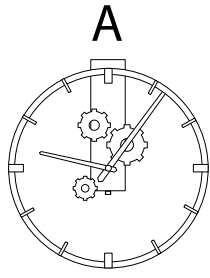


5'



1



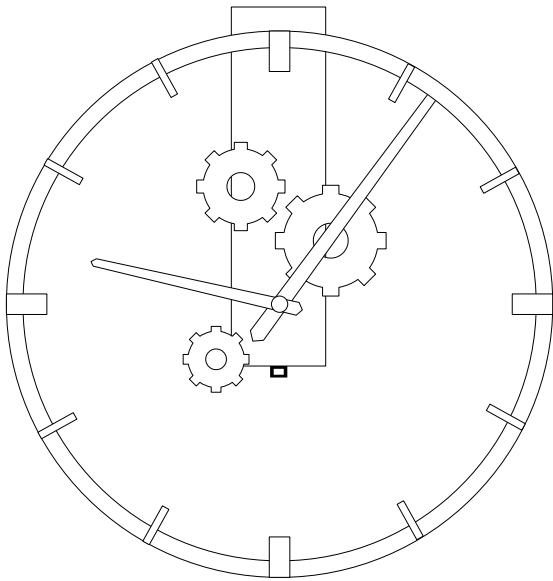
x 1

B



x 1

A



B



1

A

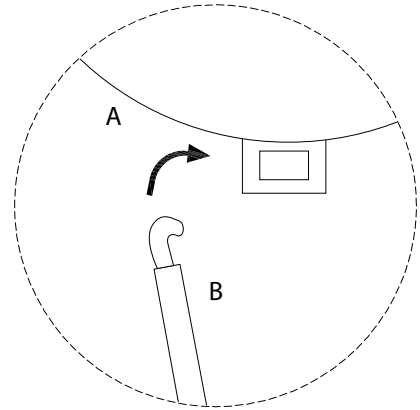
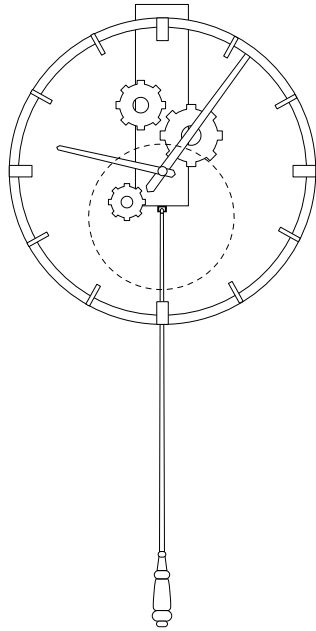


x 1

B



x 1



2

