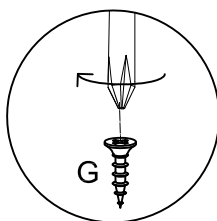
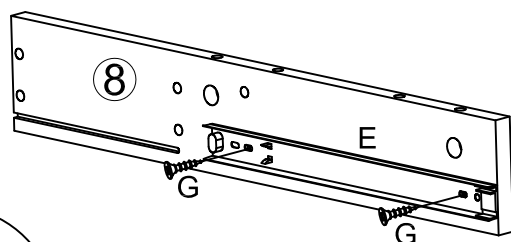
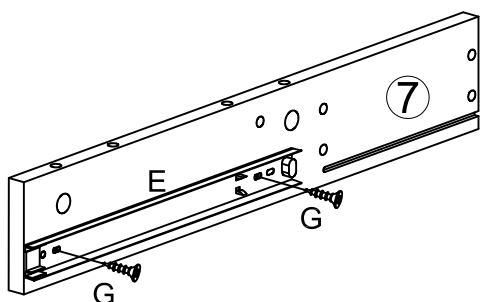
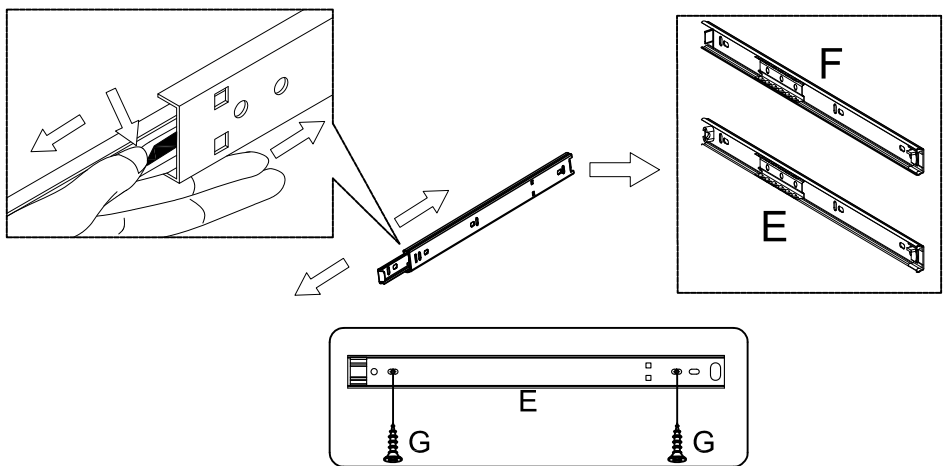




A	x14	B	x14	C	x12	D	x8	E	x2	F	x2	G	x20
M6*35mm		∅15mm		∅8*30mm		M7*40mm		300mm		300mm		∅3.5*14mm	
H	x2	I	x1	J	x8	K	x8	L	x2	M	x12	N	x18
M4*35mm				∅20		M6*15mm		M6*30mm		M6*50mm		∅16*∅6.5*1	
O	x4	P	x2	Q	x1	R	x2						
						∅6*30mm							

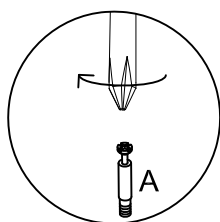
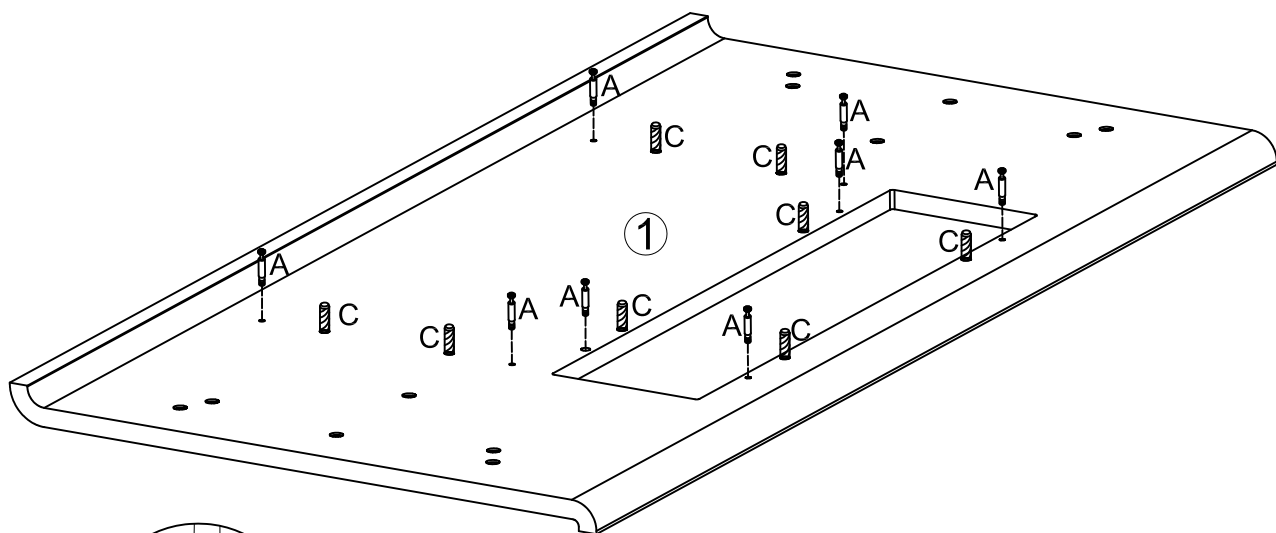
1

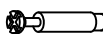


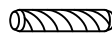
E	x2
	
300mm	

G	x4
	
ø3.5*14mm	

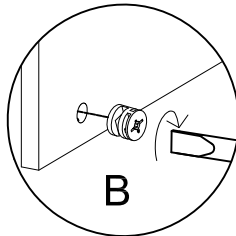
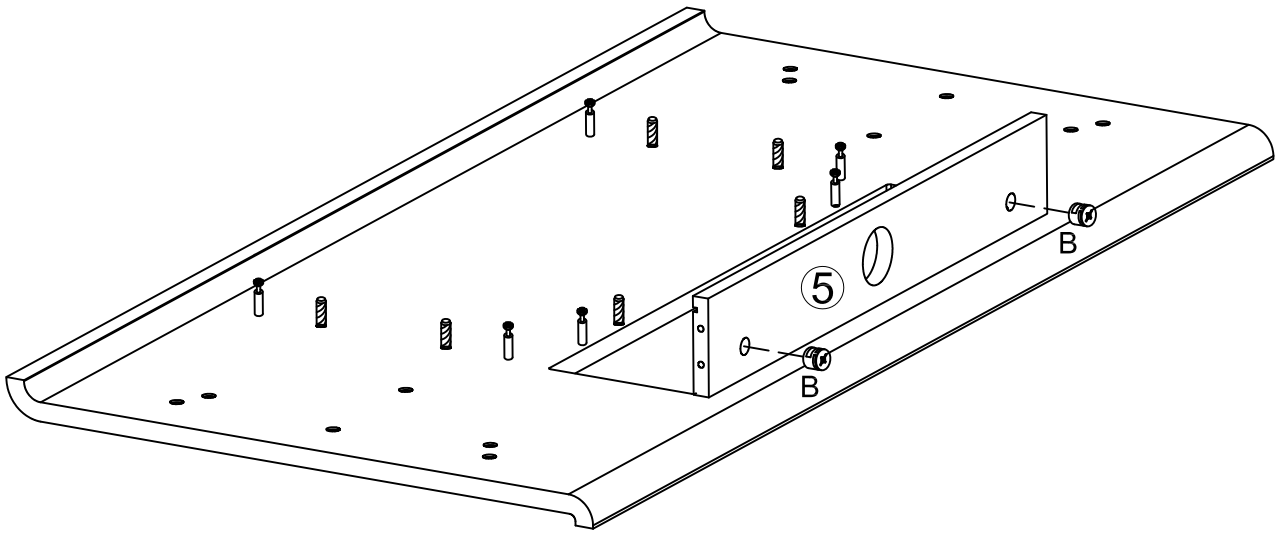
2



A	x8
	
M6*35mm	

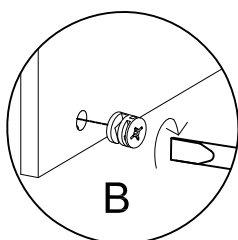
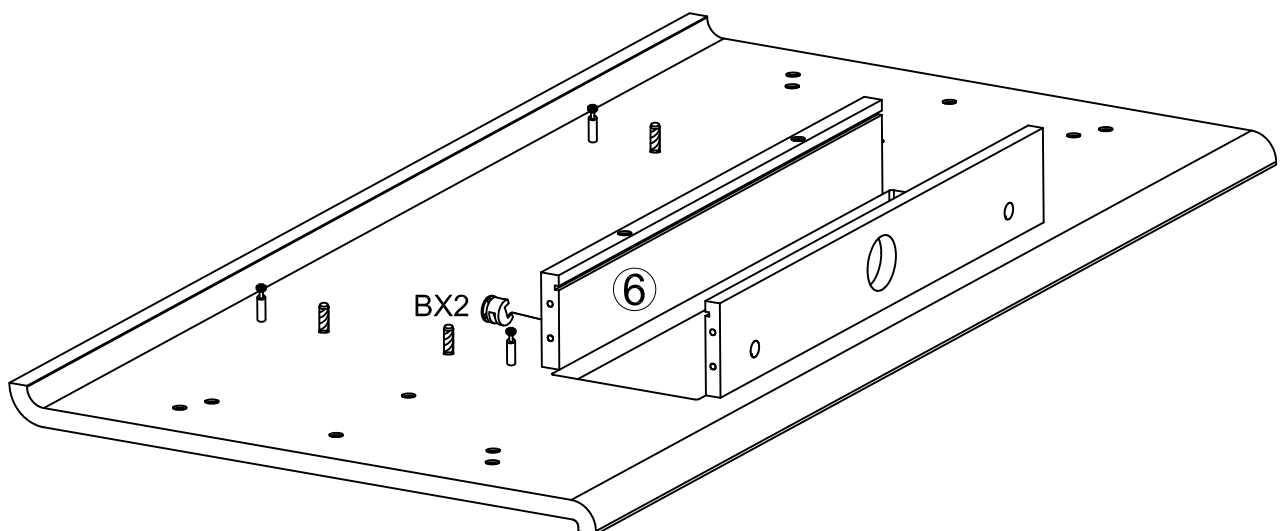
C	x8
	
ø8*30mm	

3



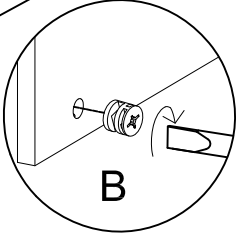
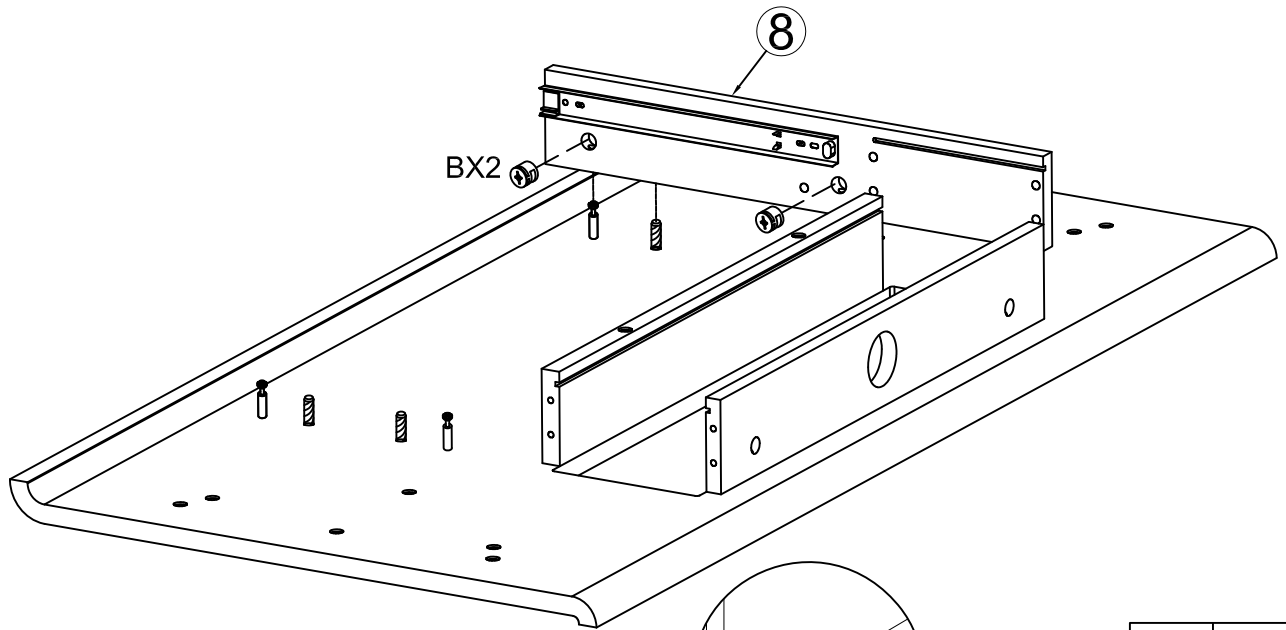
B	x2
ø15mm	

4



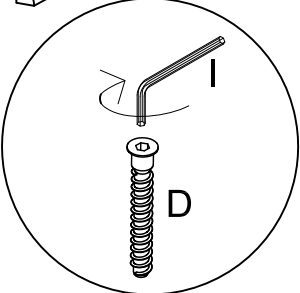
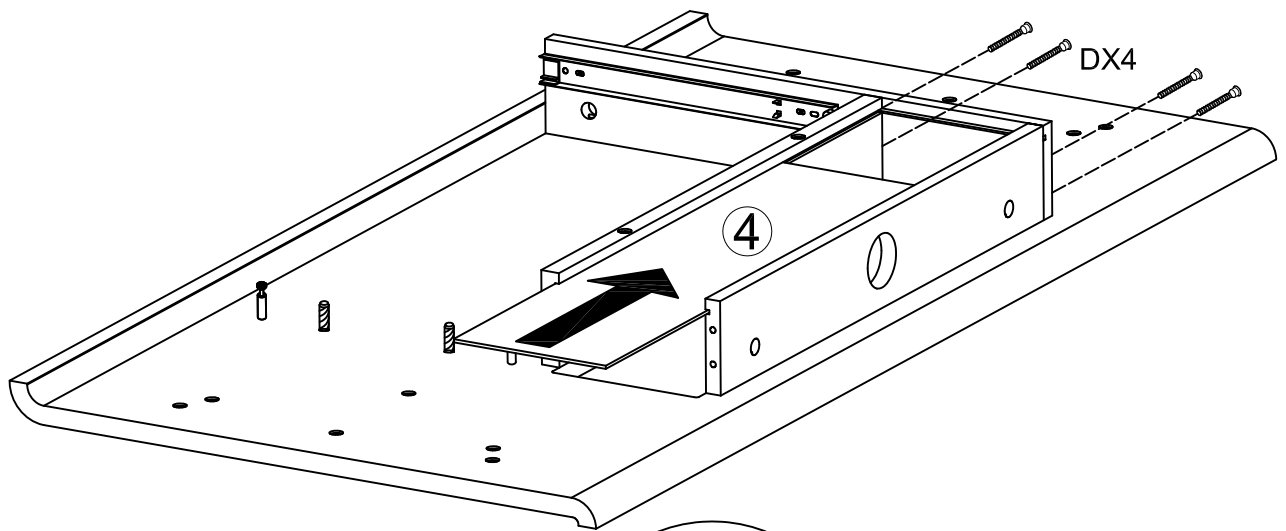
B	x2
ø15mm	

5



B	x2
ø15mm	

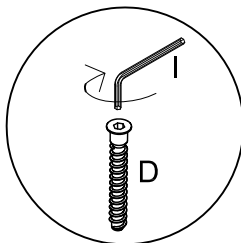
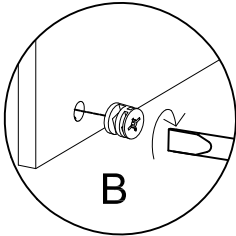
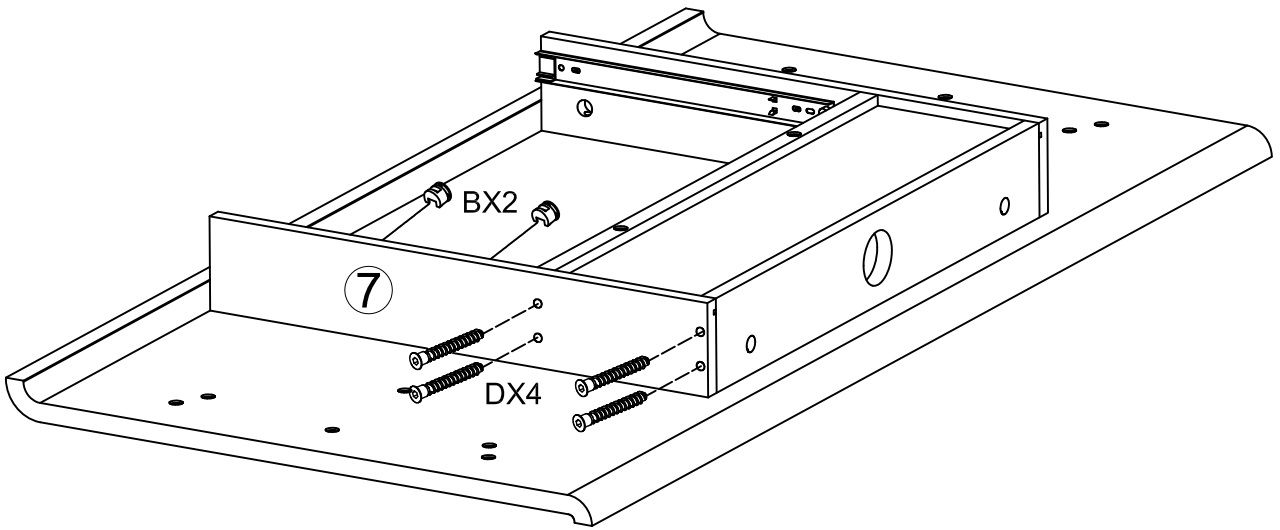
6





D	x4
M7*40mm	


I	x1

7

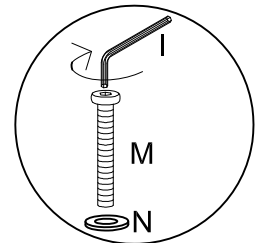
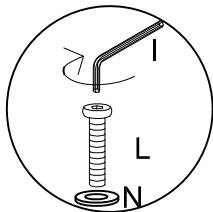
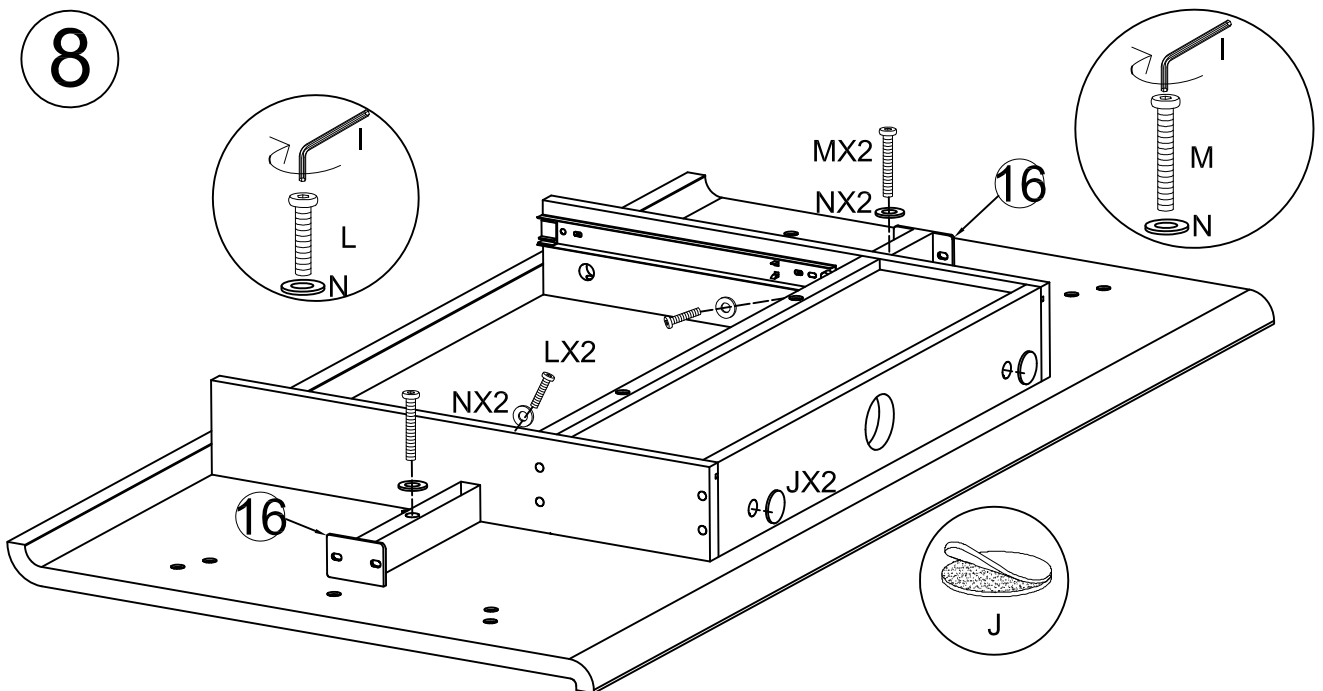


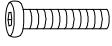
B	x2
	
ø15mm	

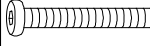
D	x4
	
M7*40mm	


I	x1
	


8




L	x2
	
M6*30mm	

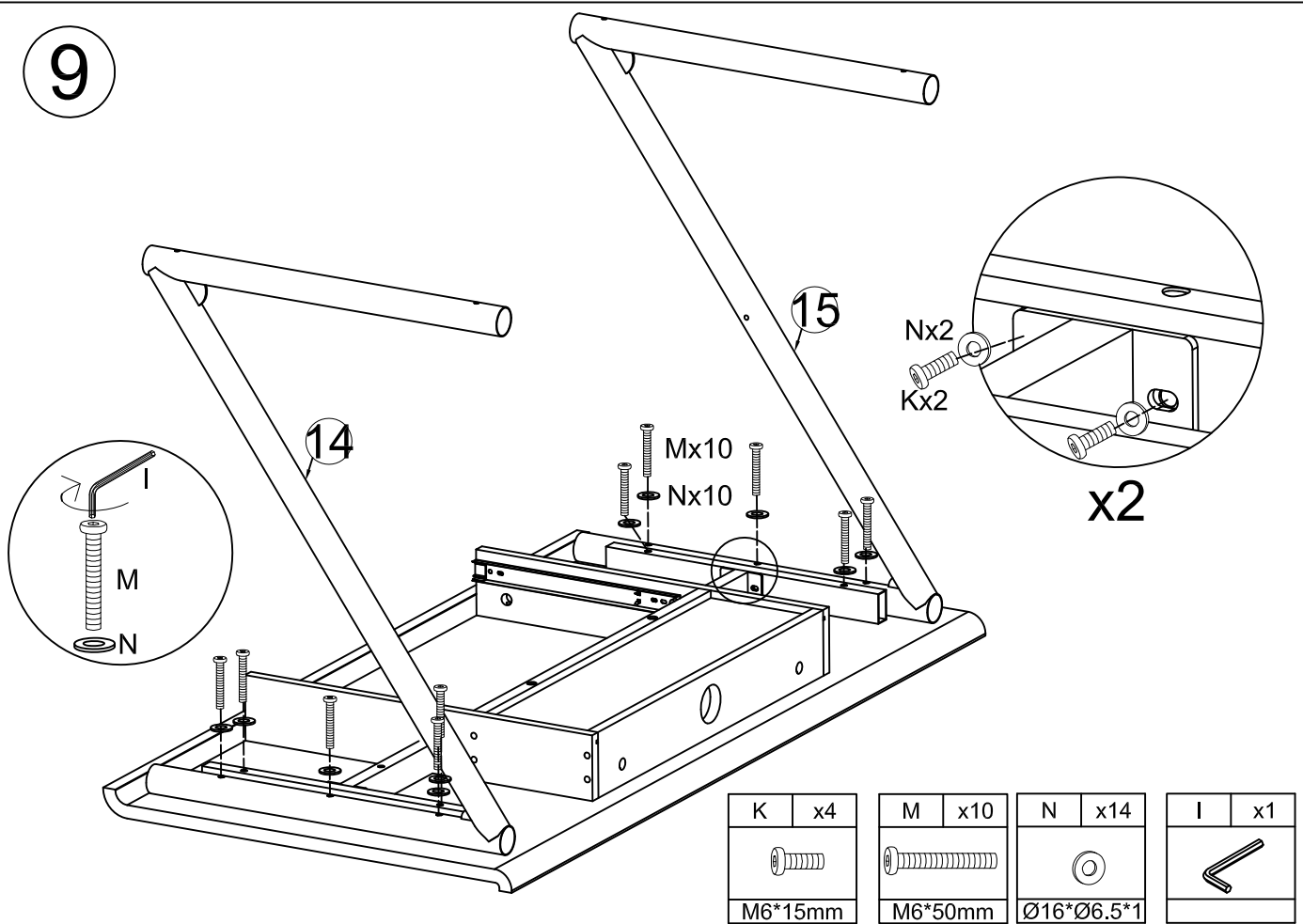
M	x2
	
M6*50mm	


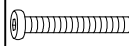


N	x4
	
Ø16*Ø6.5*1	

I	x1
	

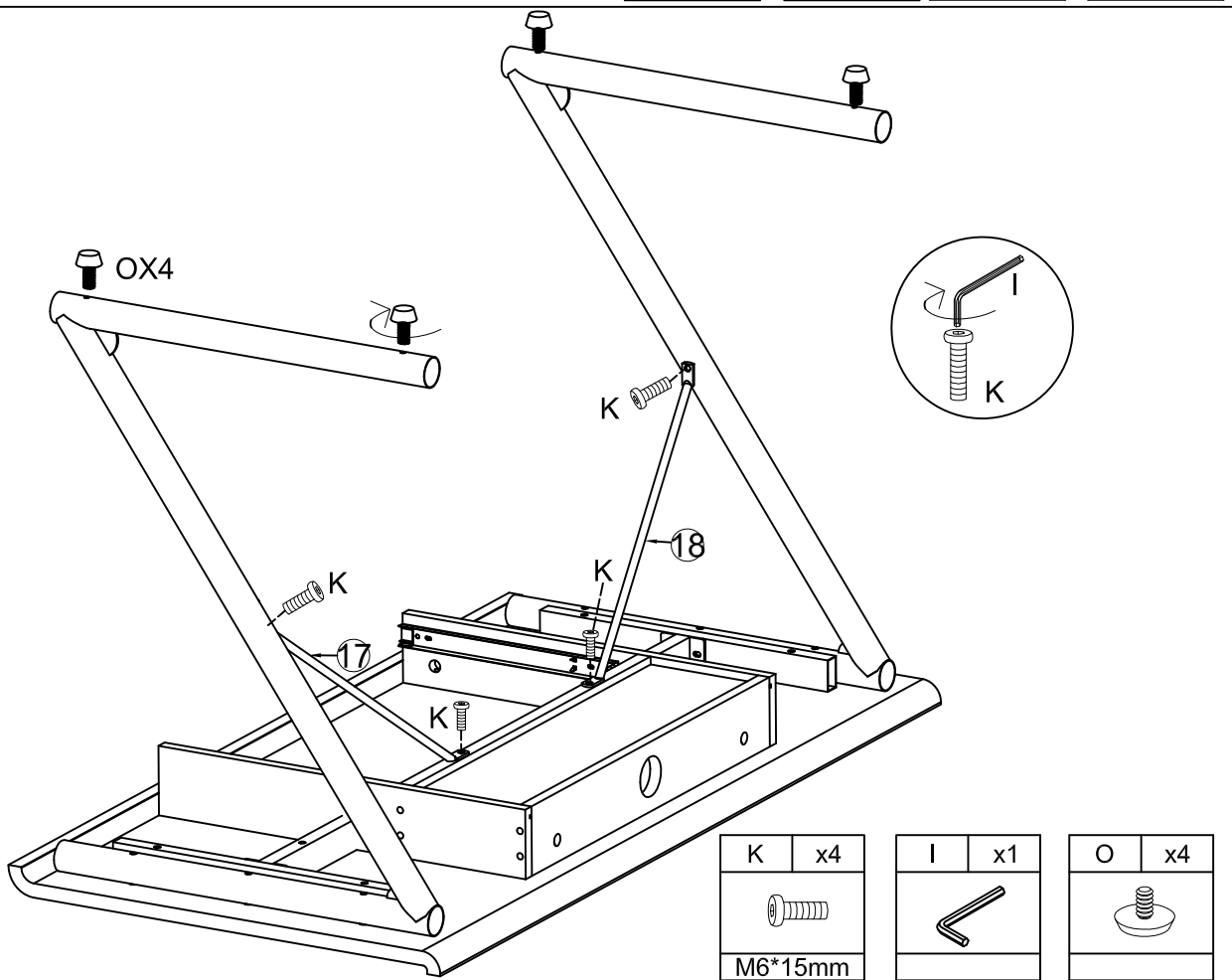
J	x2
	
ø20	




9



K	x4	M	x10	N	x14	I	x1
							
M6*15mm		M6*50mm		Ø16*Ø6.5*1			

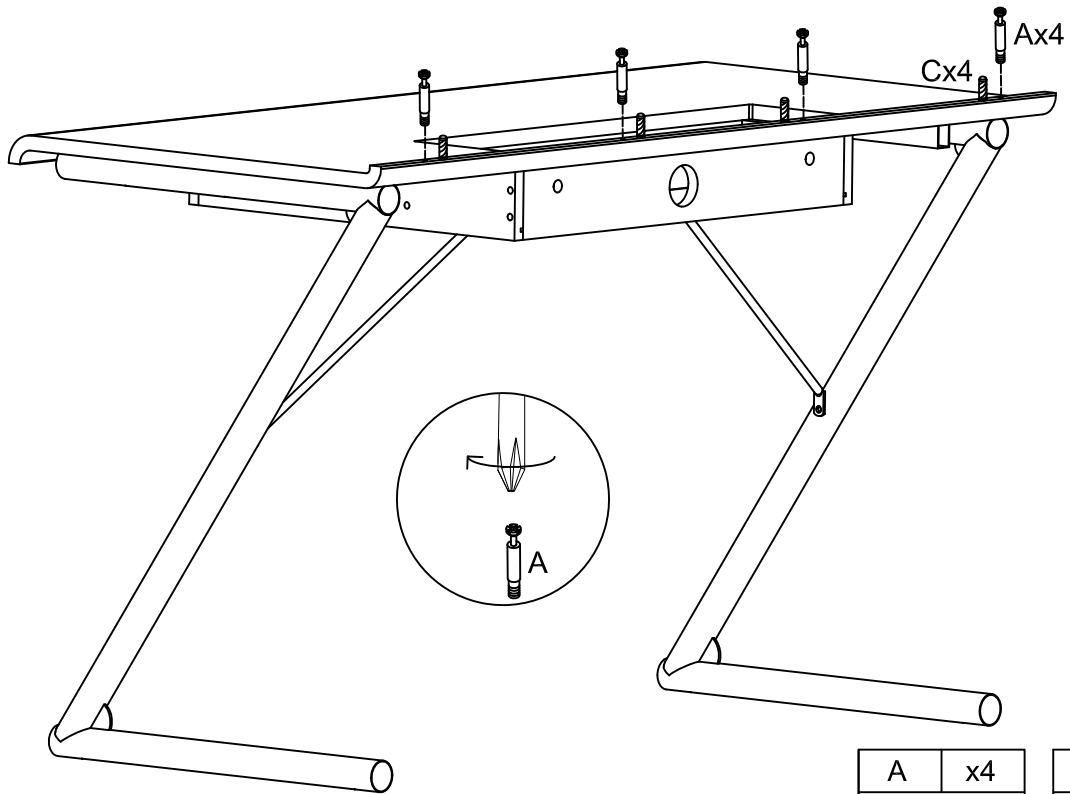
10

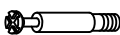
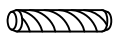


K	x4	I	x1	O	x4
					
M6*15mm					

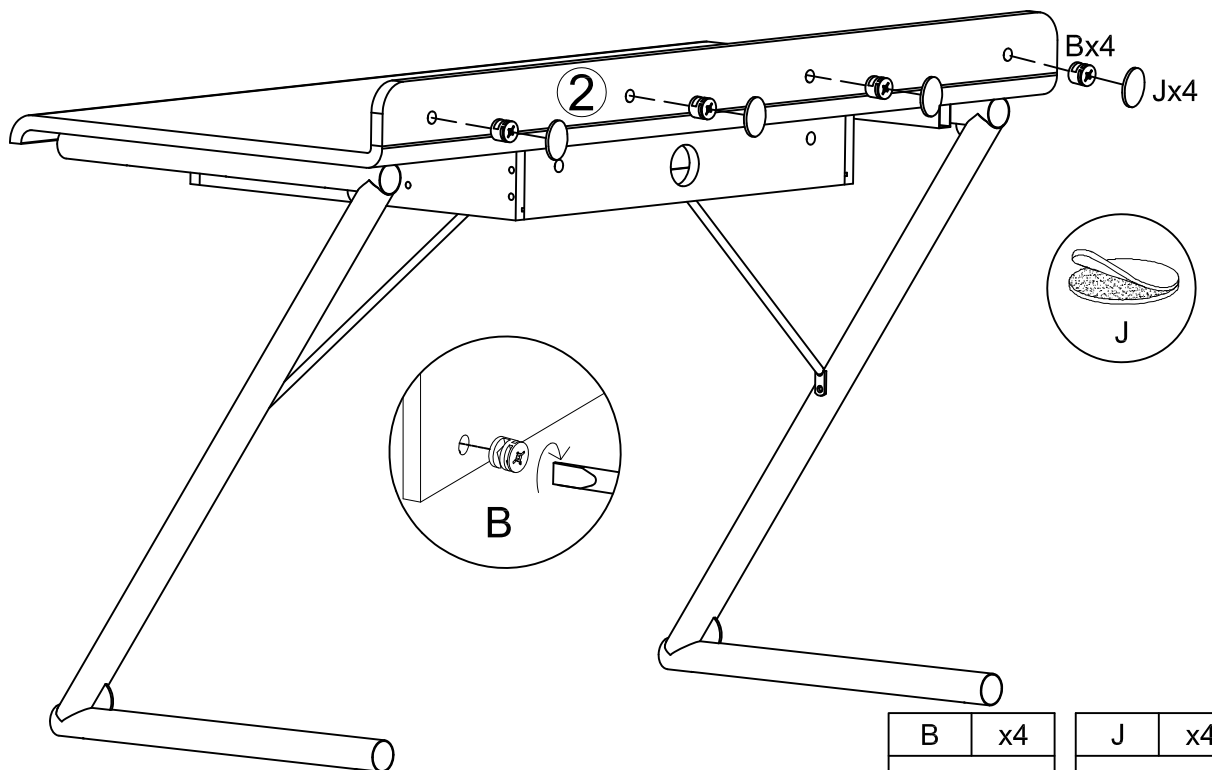




11



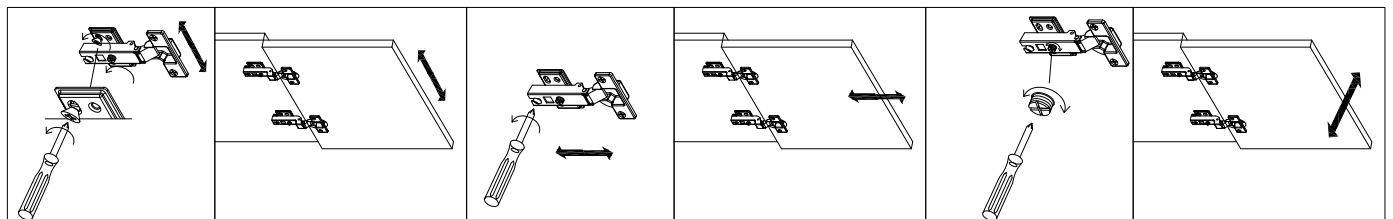
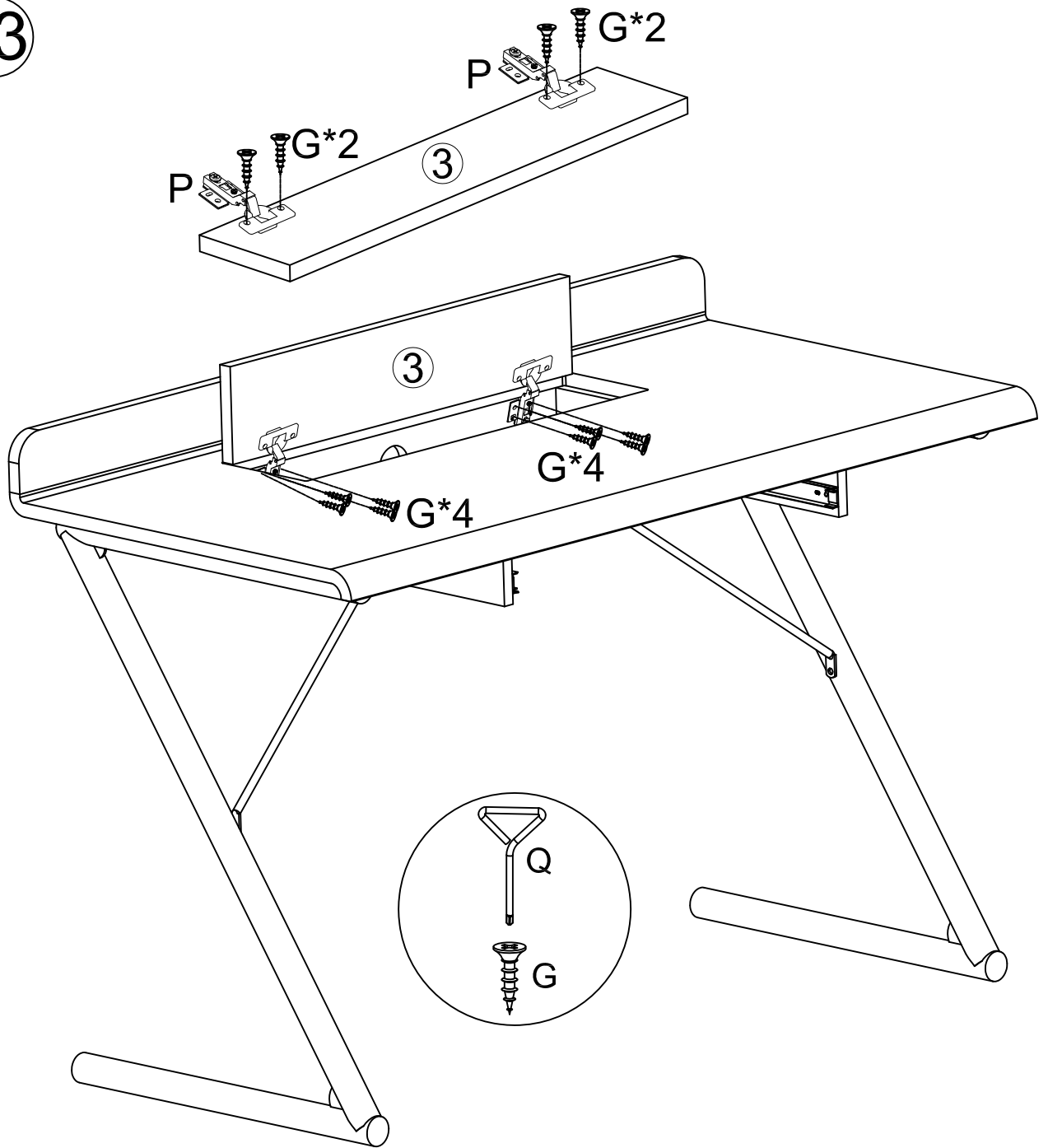
A	x4	C	x4
			
M6*35mm		ø8*30mm	

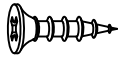
12

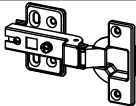


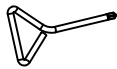
B	x4	J	x4
			
ø15mm		ø20	

13

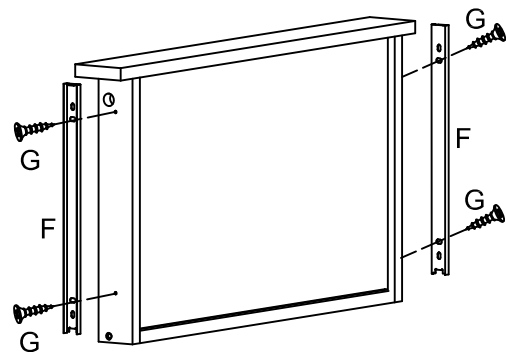
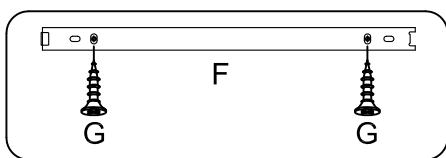
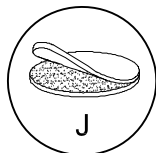
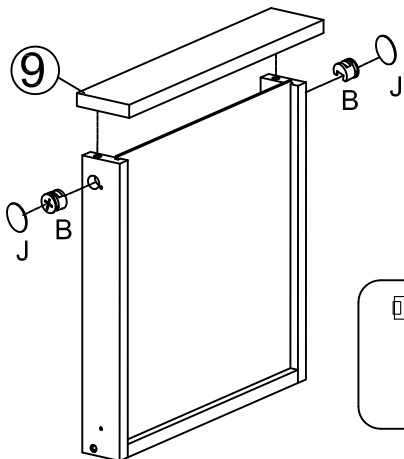
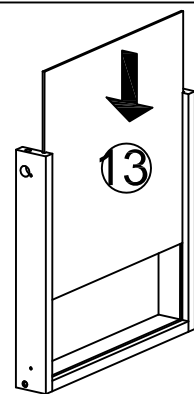
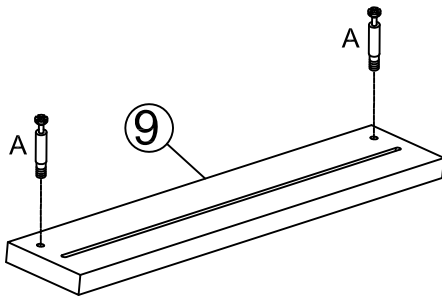
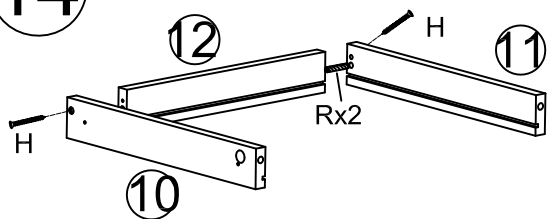


G	x12
	
ø3.5*14mm	

P	x2
	

Q	x1
	

14



A	x2
M6*35mm	

B	x2
ø15mm	

F	x2
300mm	

G	x4
ø3.5*14mm	

H	x2
M4*35mm	

J	x2
ø20	

R	x2
ø6*30mm	

15

