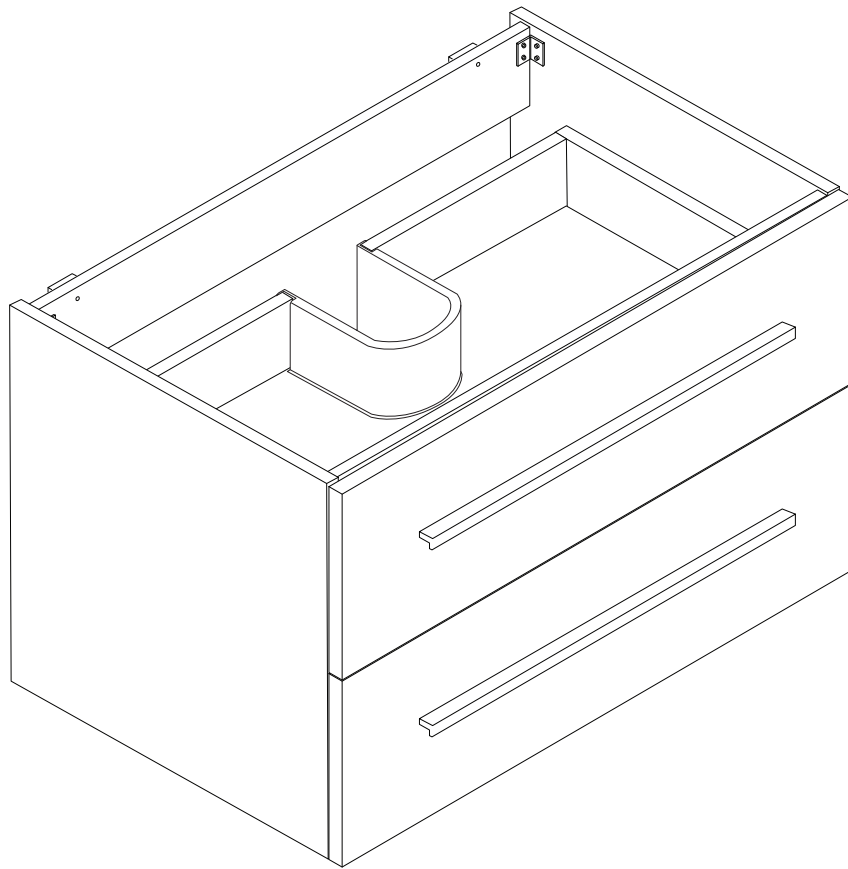
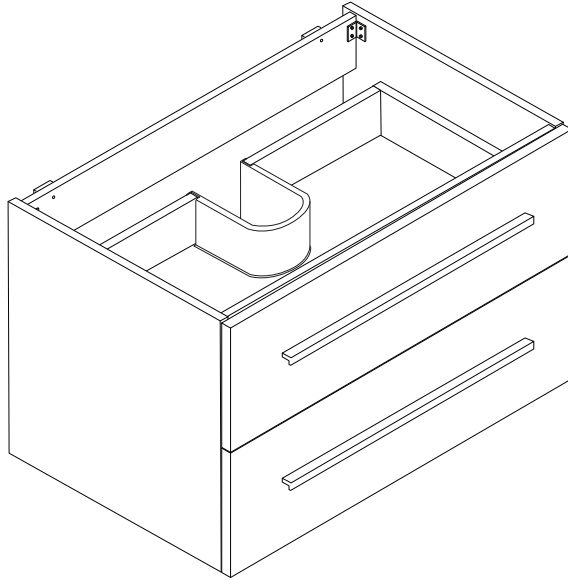


MADRID



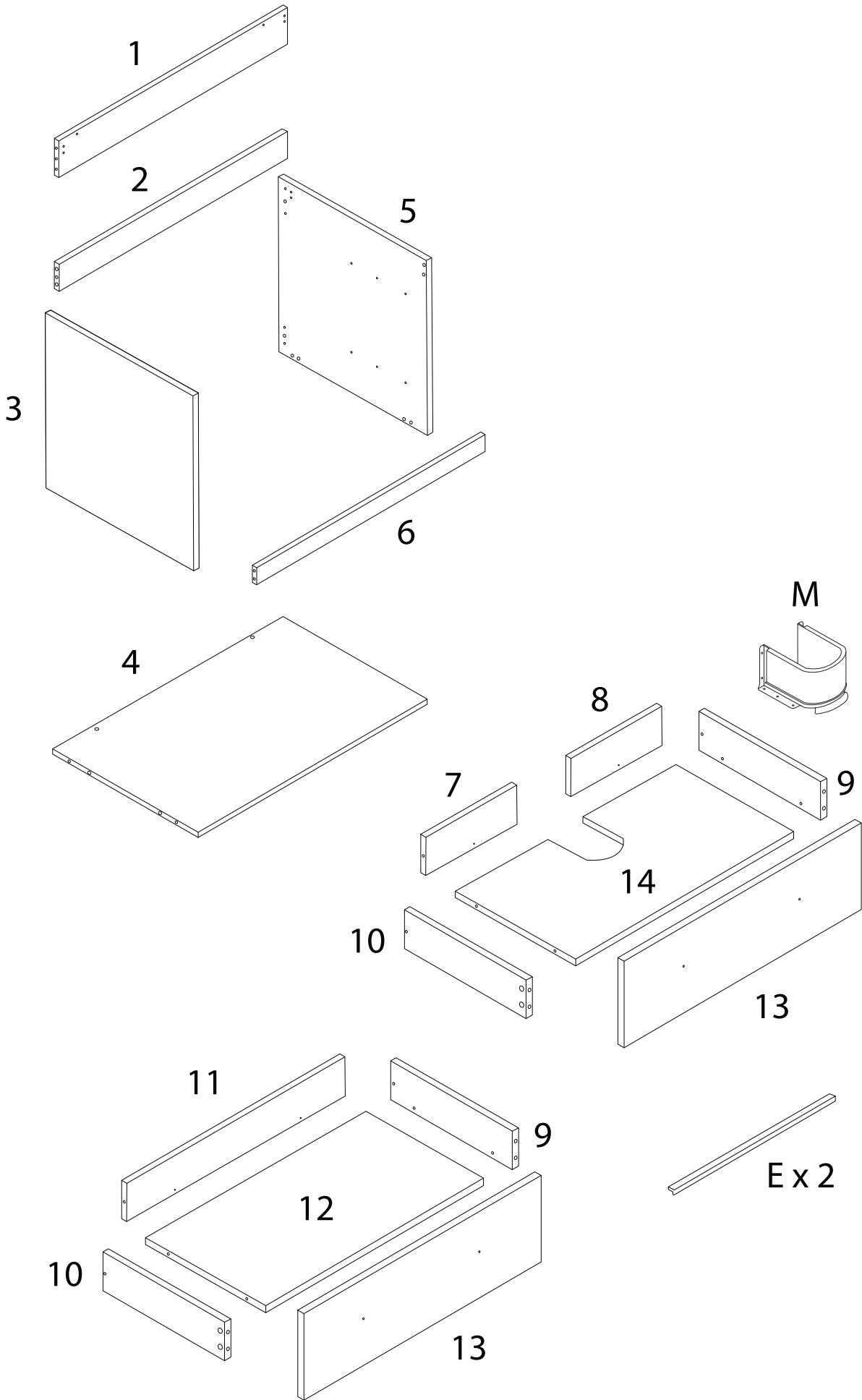


Assembly instructions for the drawer unit, including tool requirements, time, and safety warnings.

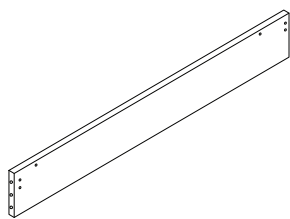
Tools: A screwdriver and a power drill are shown as required tools for this step.

Time: The estimated time for this step is 60 minutes, represented by a clock icon.

Safety: Two warning triangles with exclamation marks indicate safety precautions. The second warning triangle is associated with a person icon and the number 1, likely indicating a one-person operation or a specific safety instruction.

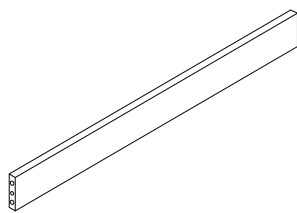


1



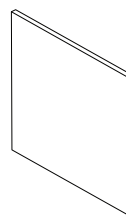
x 1

2



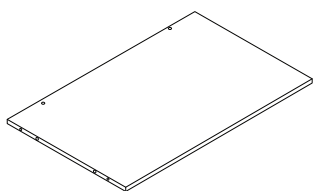
x 1

3



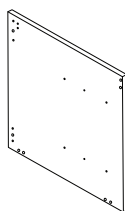
x 1

4



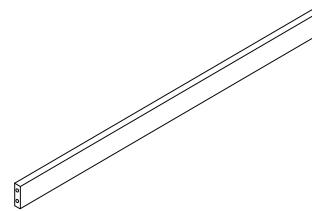
x 1

5



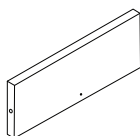
x 1

6



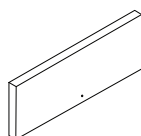
x 1

7



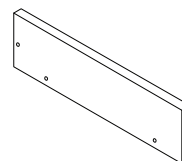
x 1

8



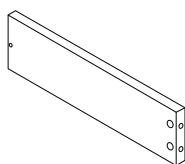
x 2

9



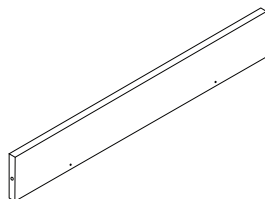
x 2

10



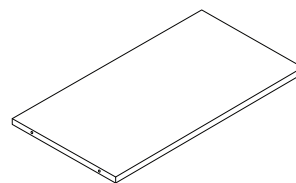
x 4

11



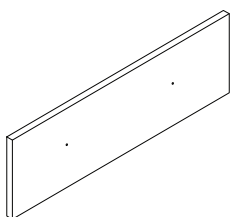
x 4

12



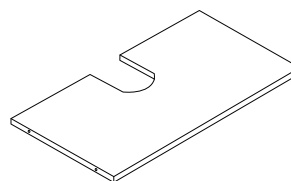
x 2

13



x 2

14



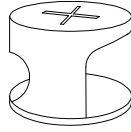
x 1

A



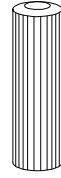
x 38

B



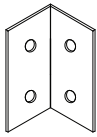
x 38

C



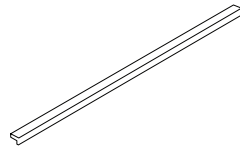
x 14

D



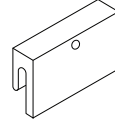
x 4

E



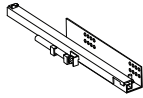
x 4

F



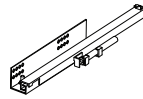
x 2

G1



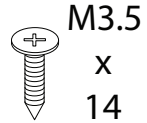
x 4

G2



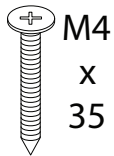
x 4

H



x 4

I



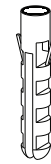
x 26

J



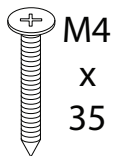
x 38

K



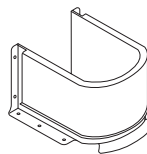
x 6

L



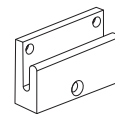
x 6

M



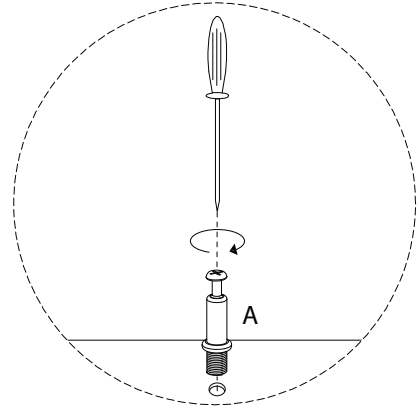
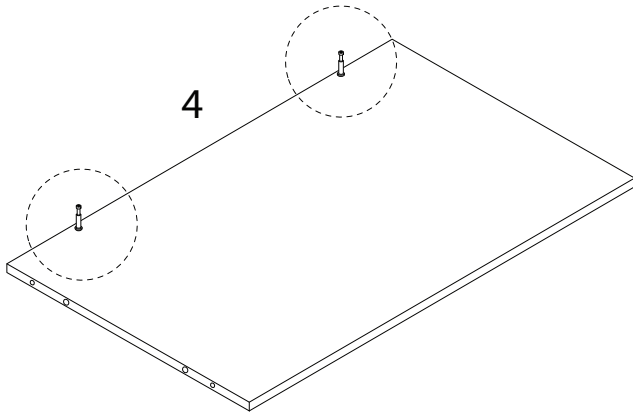
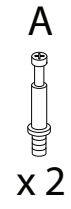
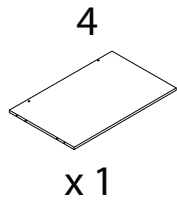
x 1

N

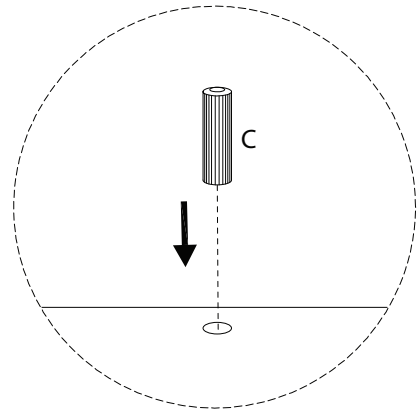
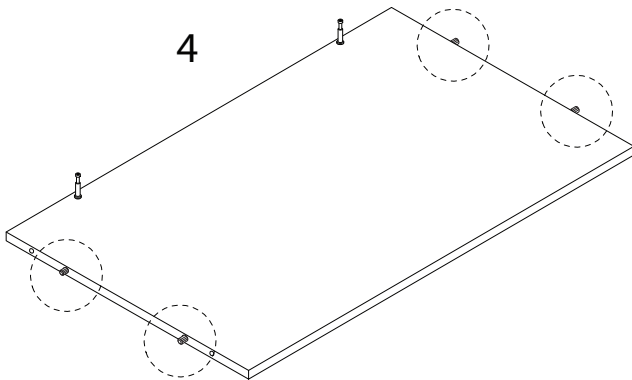
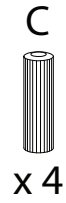


x 2

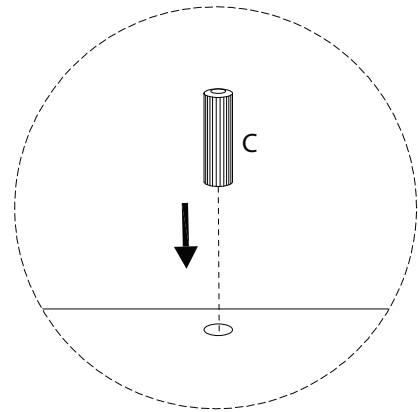
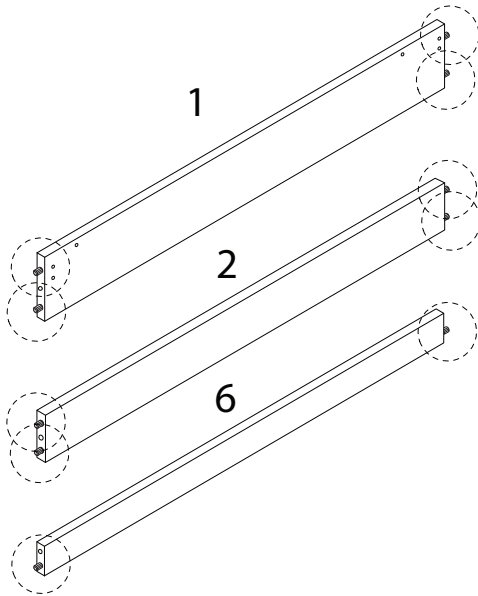
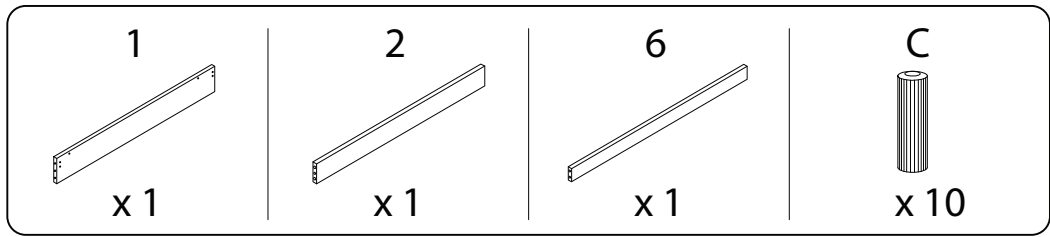
1



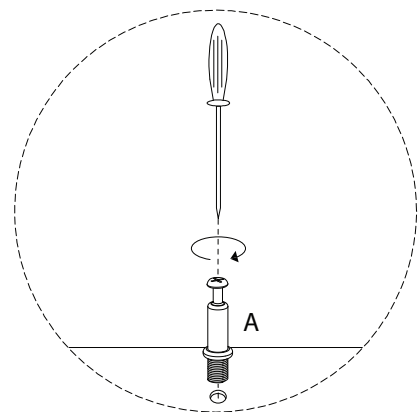
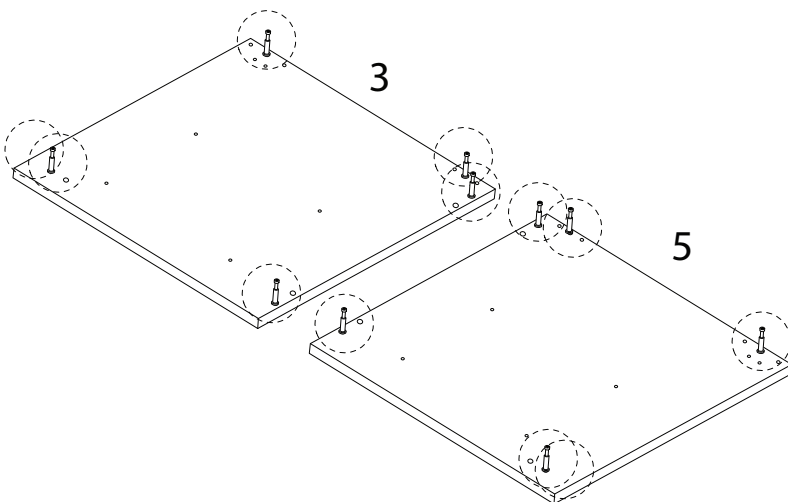
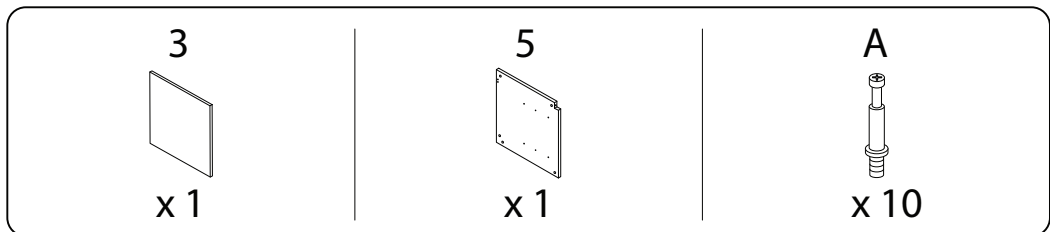
2



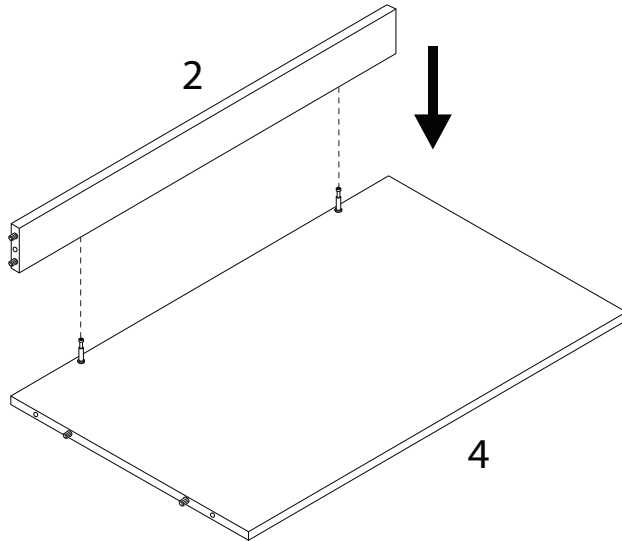
3



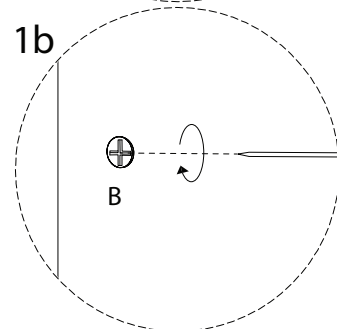
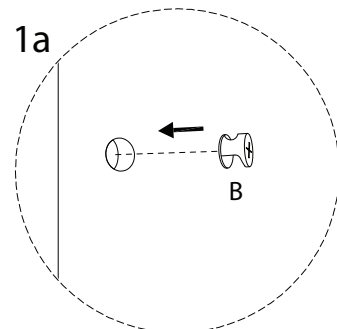
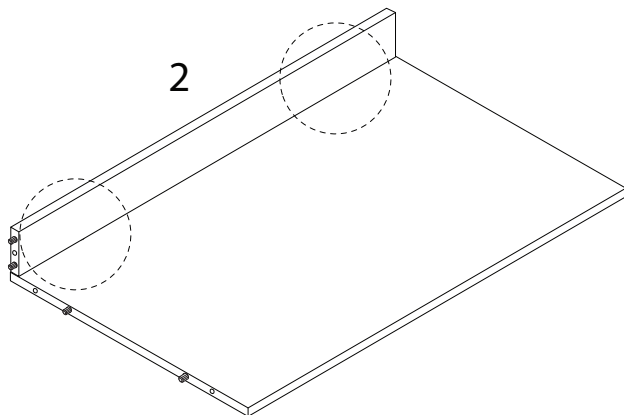
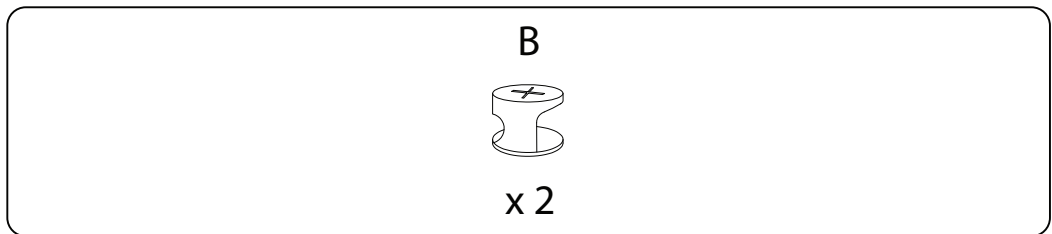
4



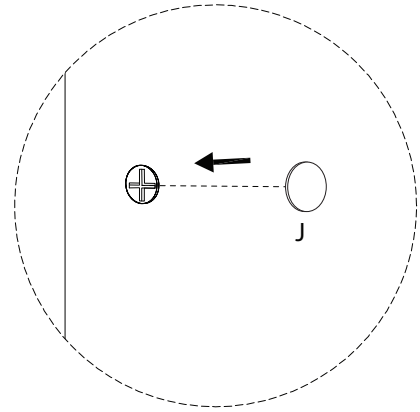
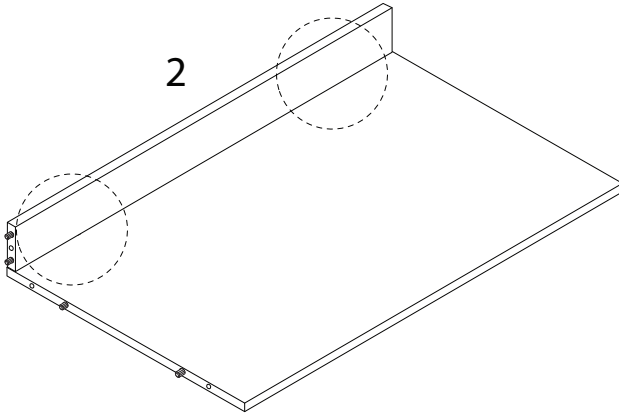
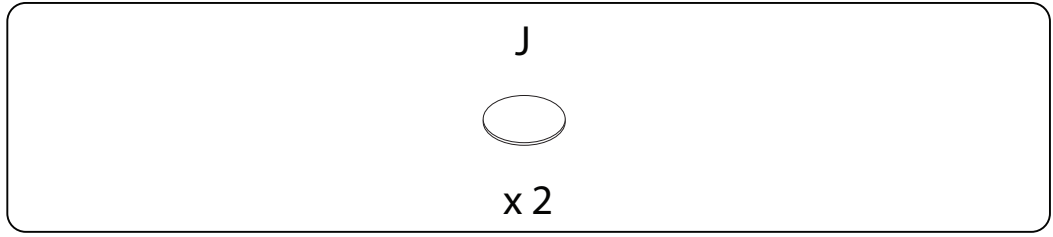
5



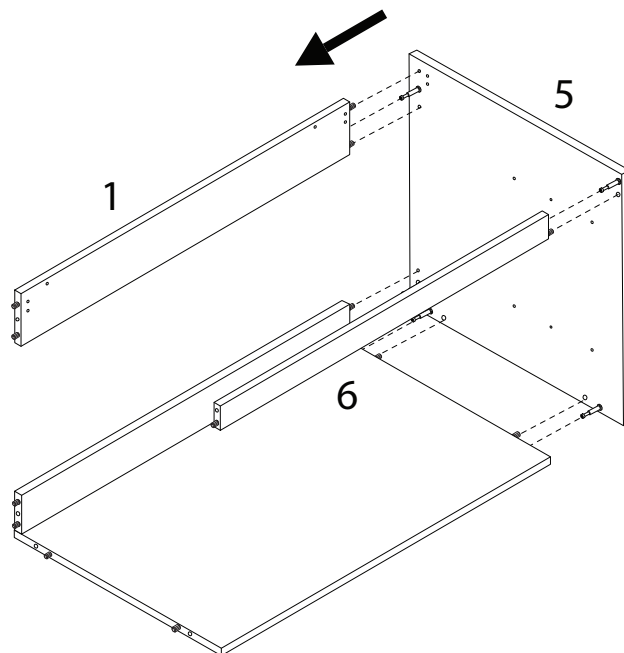
6



7



8

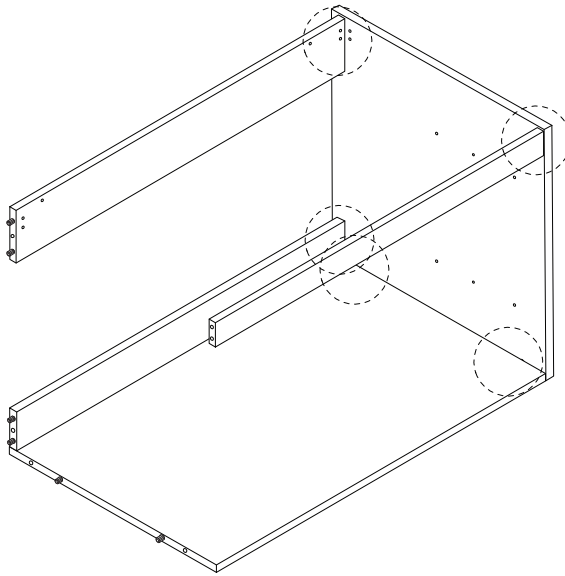


9

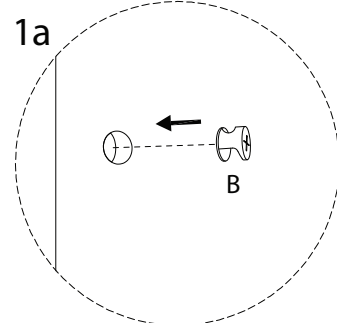
B



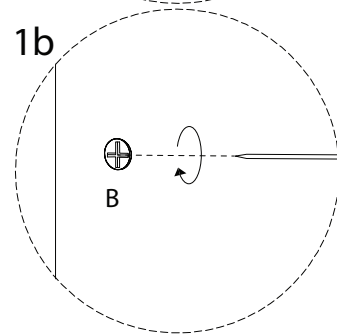
x 5



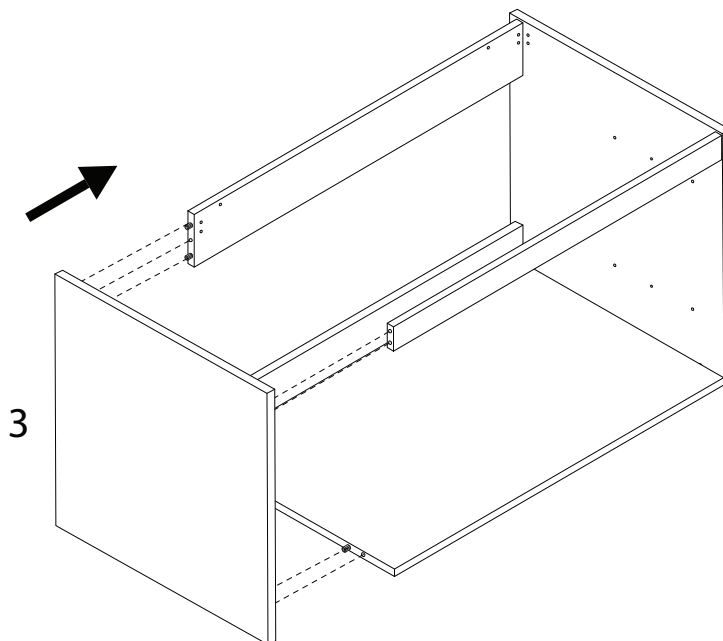
1a



1b



10

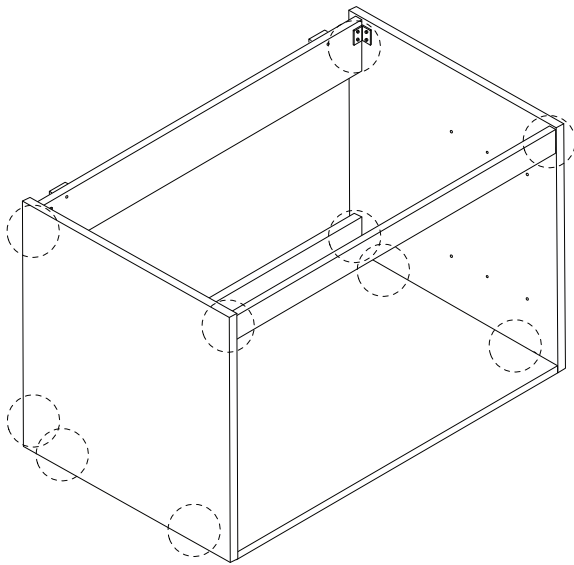


11

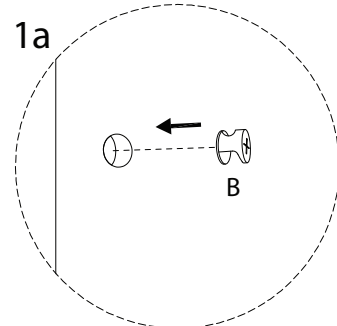
B



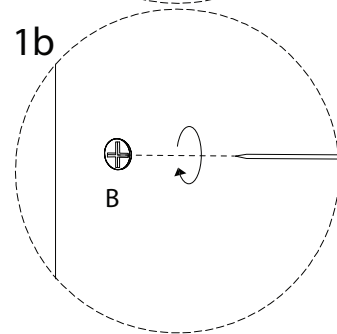
x 5



1a



1b

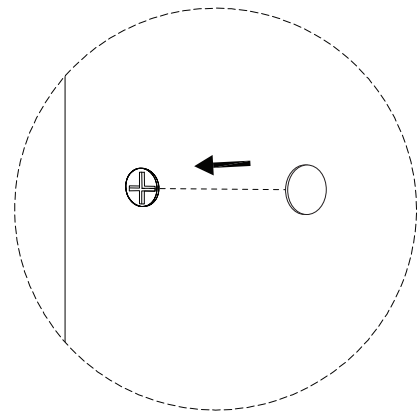
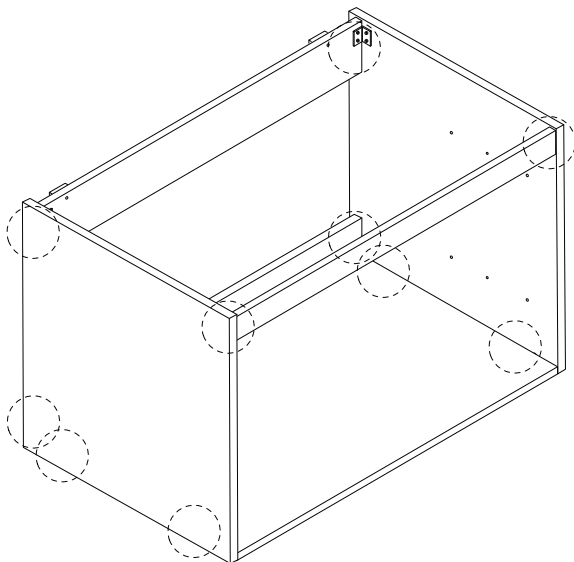


12

J



x 10



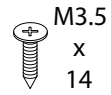
13

D

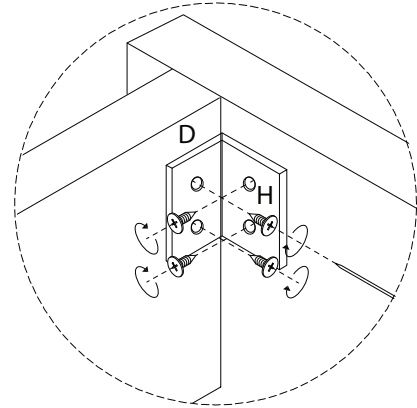
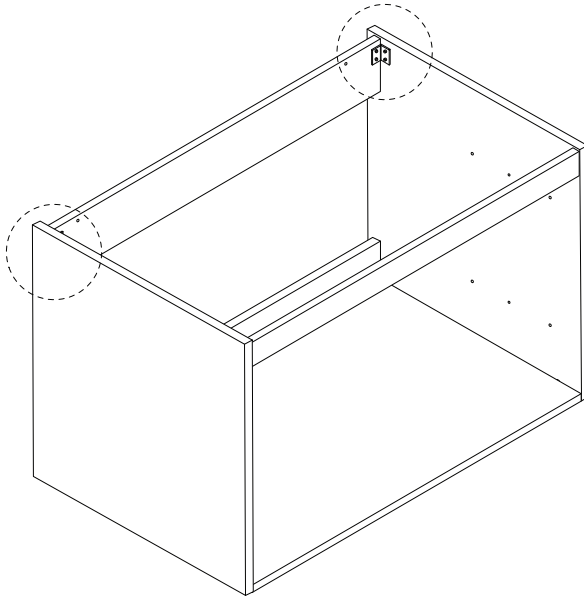


x 2

H



x 8



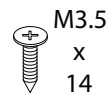
20

F

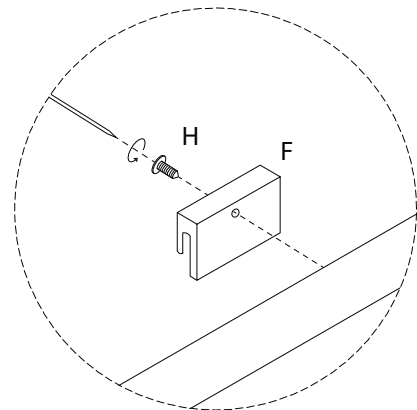
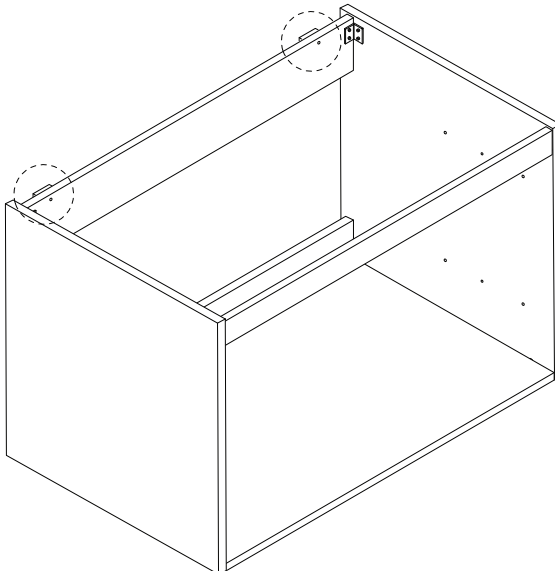


x 2

H

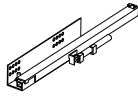


x 2



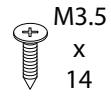
15

G₂

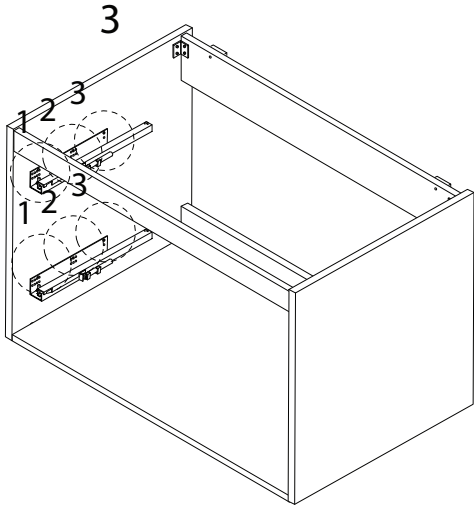


x 2

H

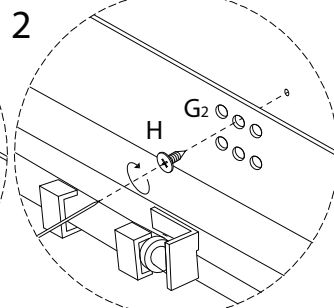
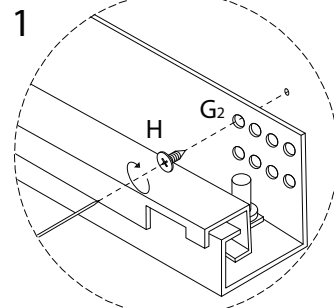


x 6



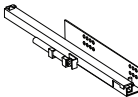
5

3



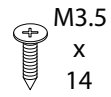
16

G₁

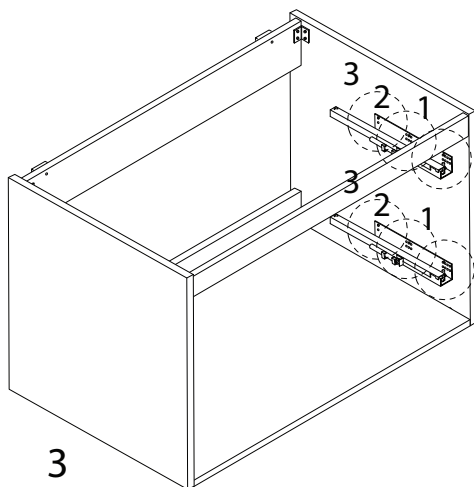


x 2

H

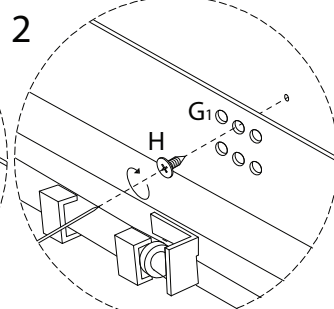
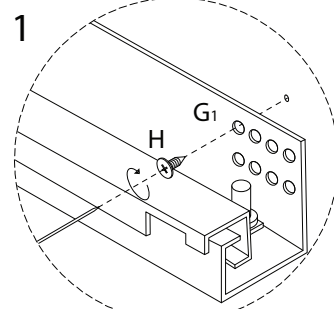


x 6



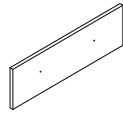
5

3



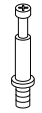
17 x 2

13

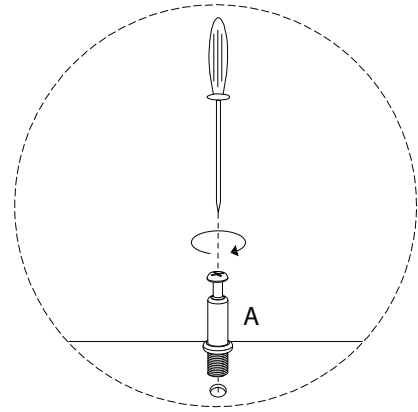
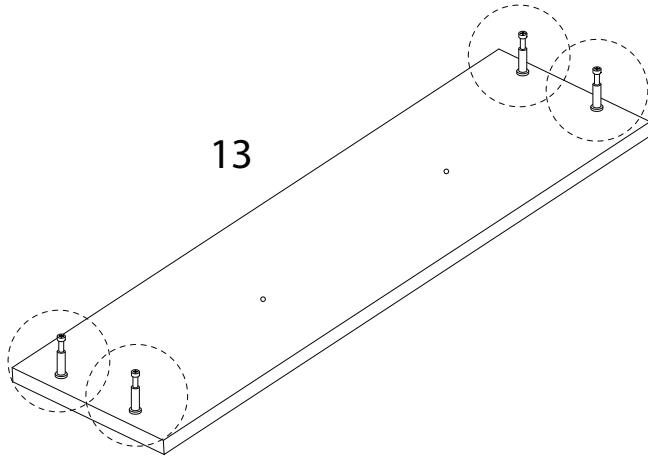


x 1

A

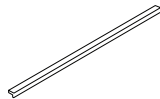


x 4



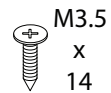
18 x 2

E



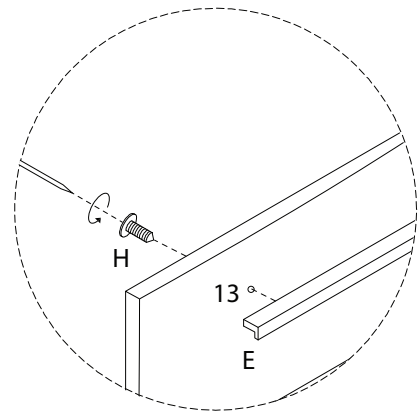
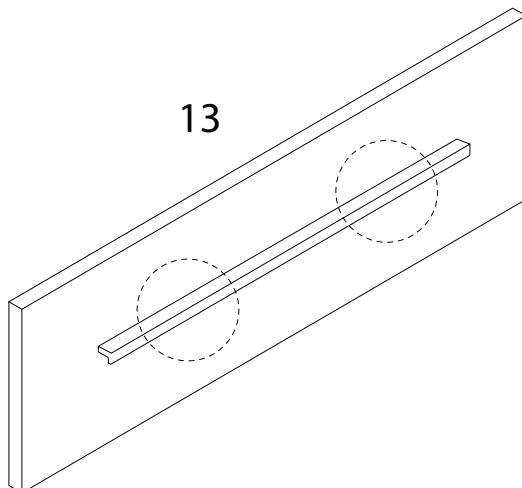
x 1

H

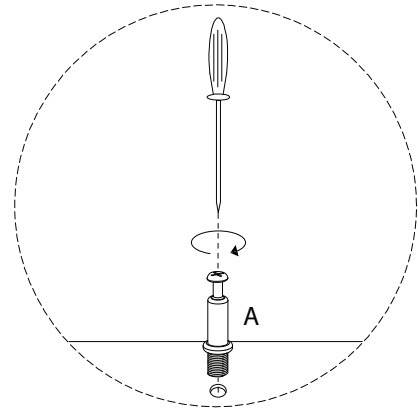
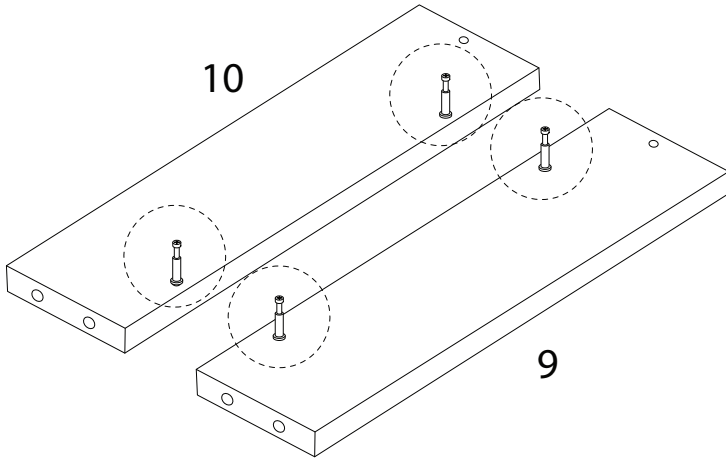
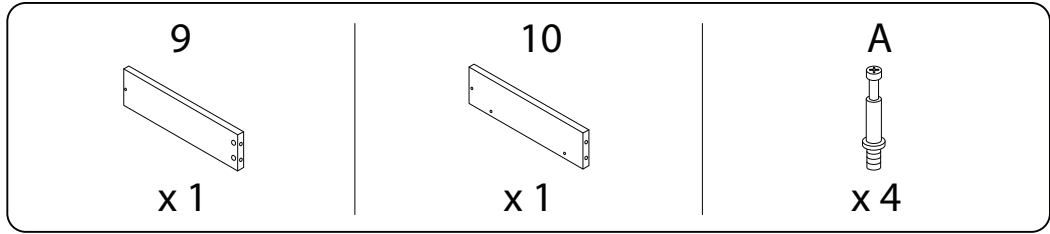


M3.5
x
14

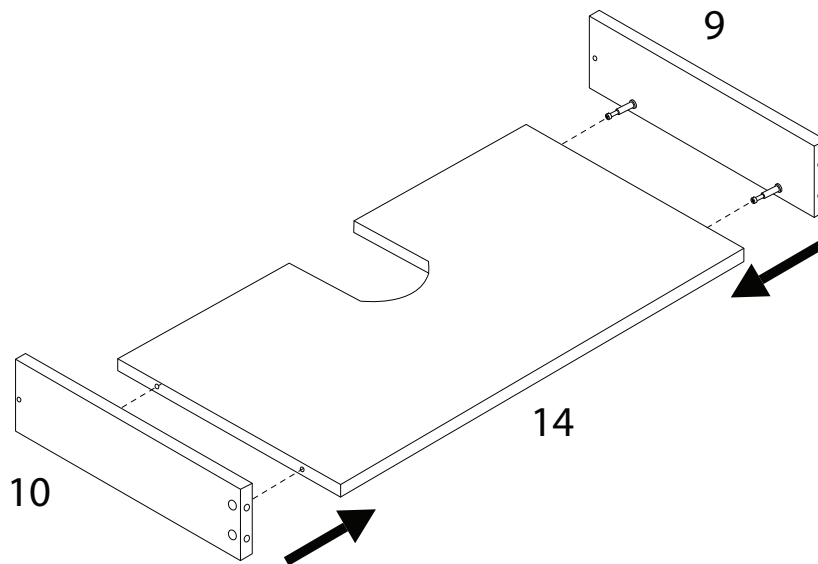
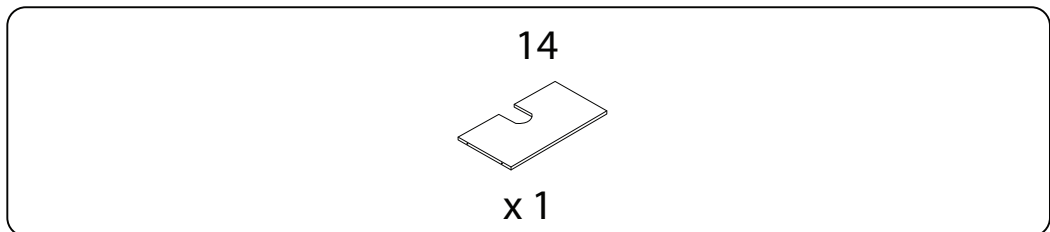
x 2



19 x 2



20



21

B

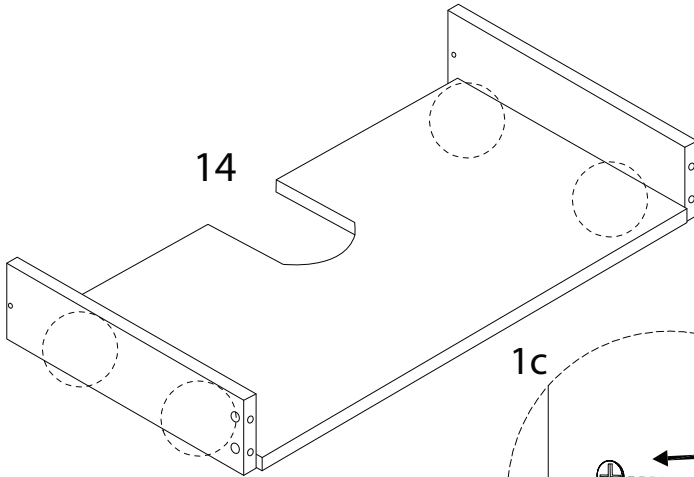


x 4

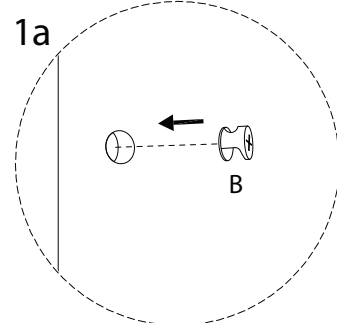
J



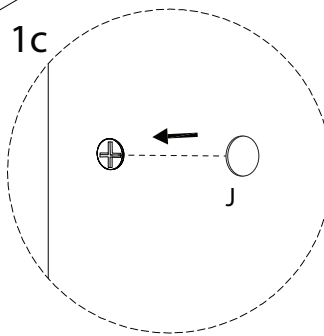
x 4



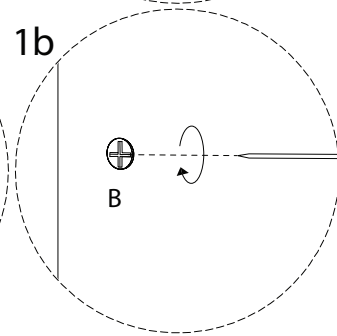
1a



1c

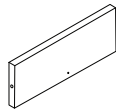


1b



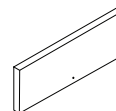
22

7



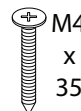
x 1

8

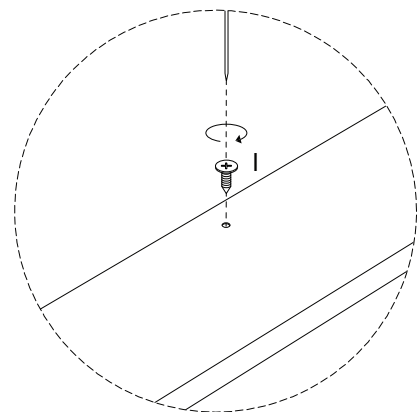
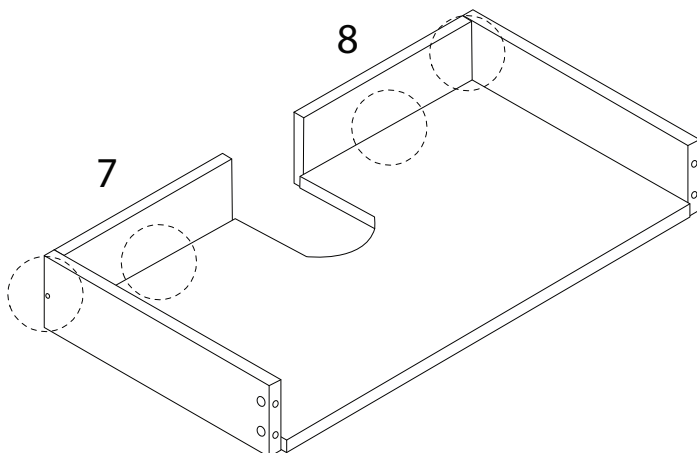


x 1

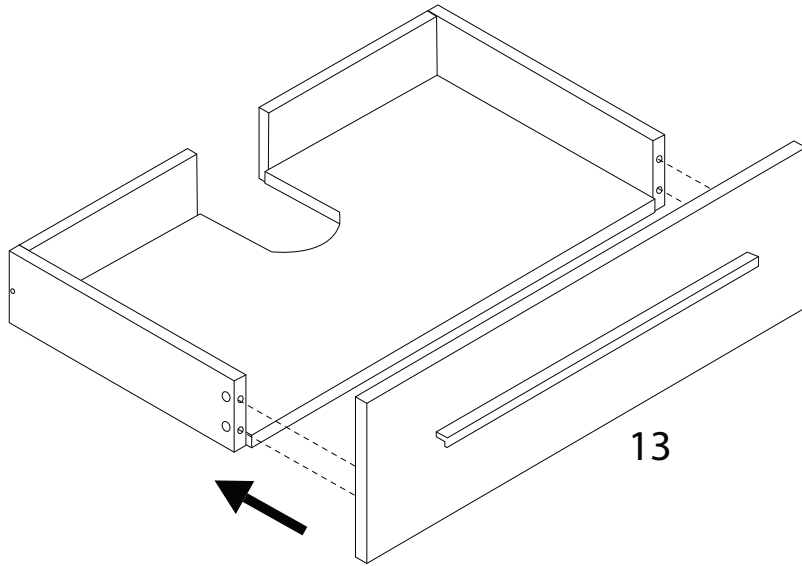
I



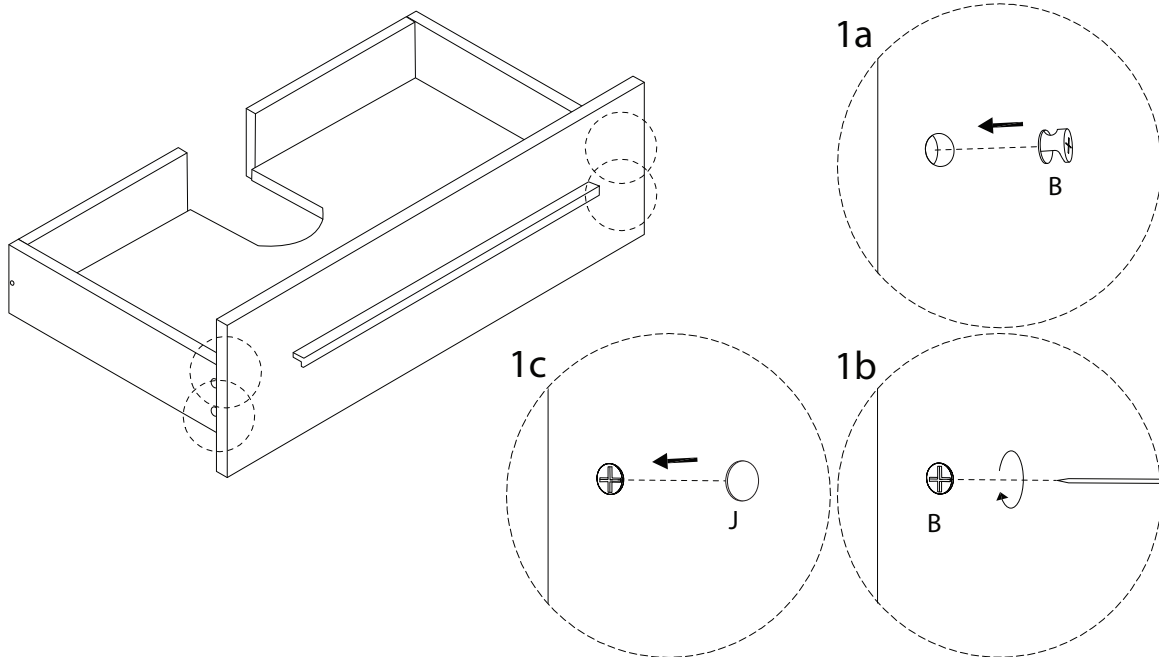
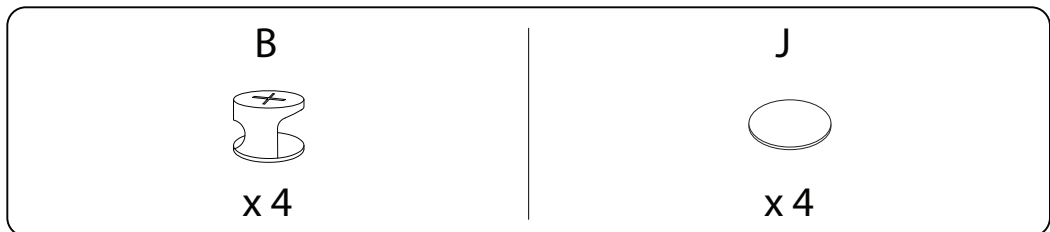
x 4



23



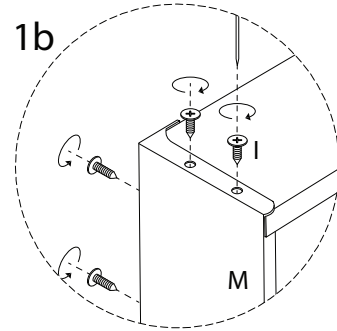
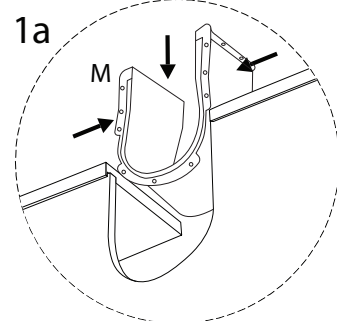
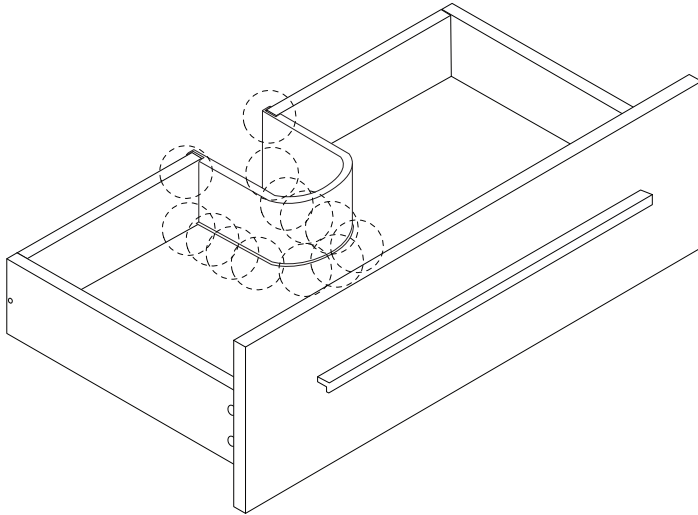
24



25

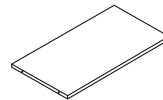
I
M4
x
35
x 13

M
x 1

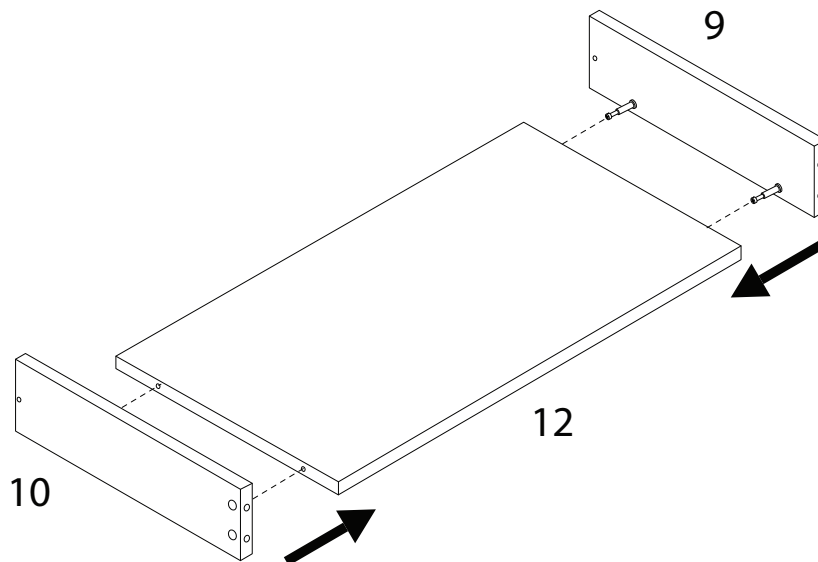


26

12



x 1



27

B

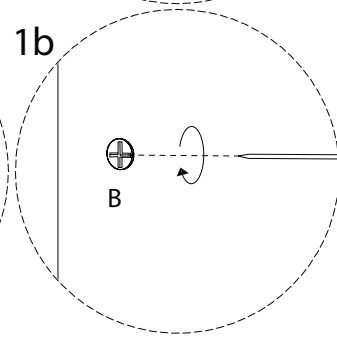
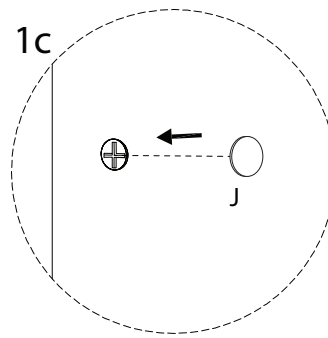
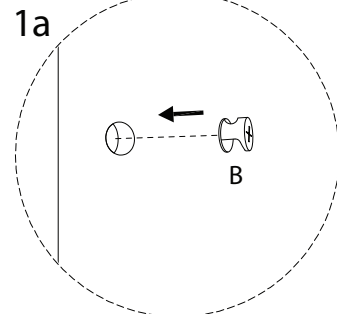
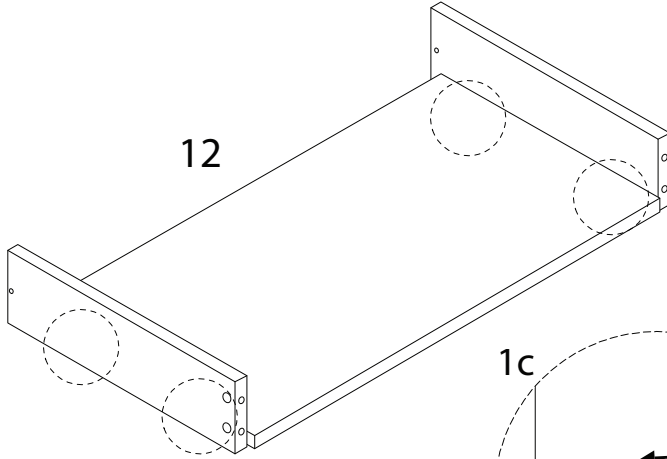


x 4

J

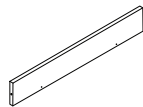


x 4



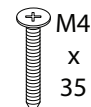
28

11

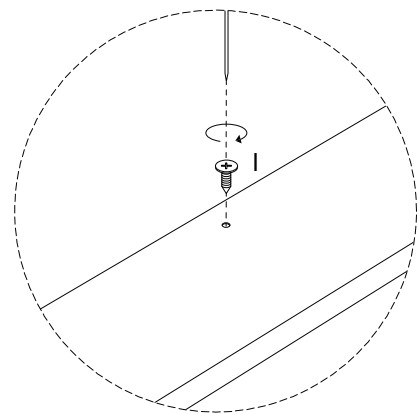
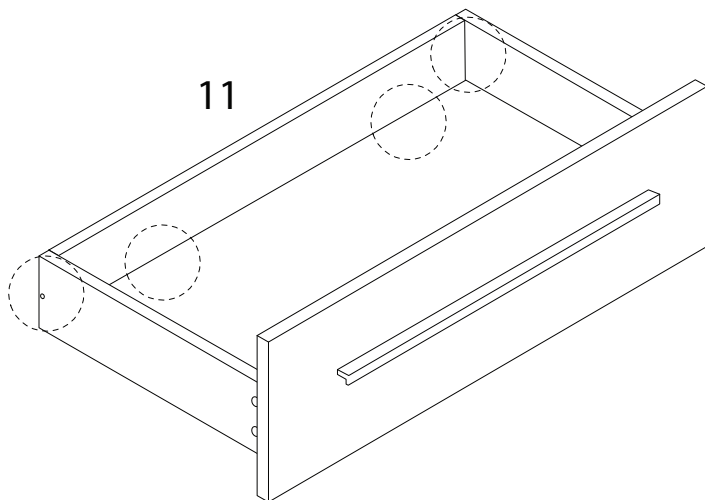


x 1

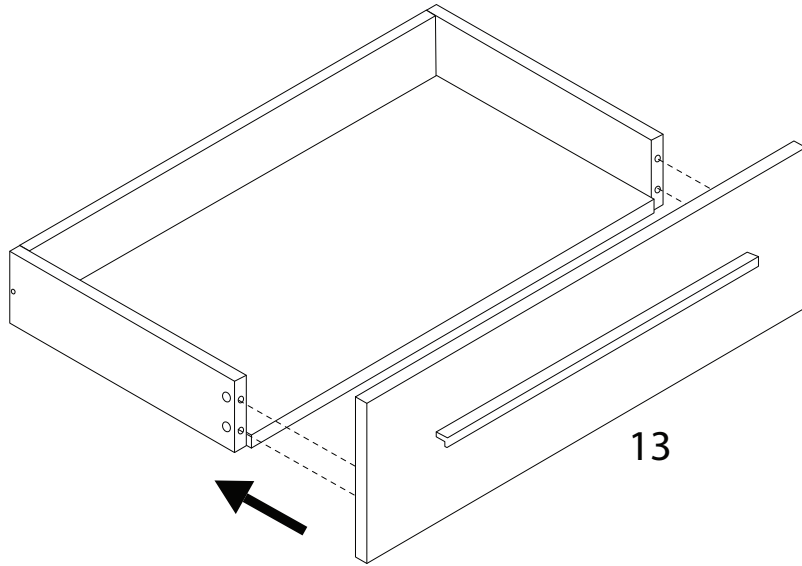
I



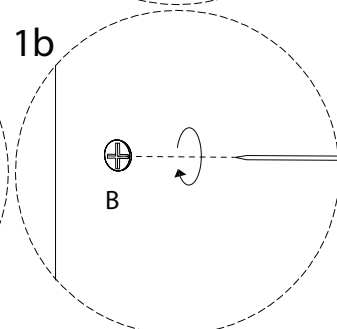
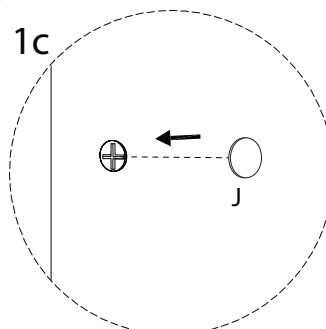
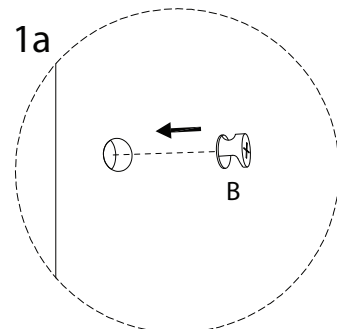
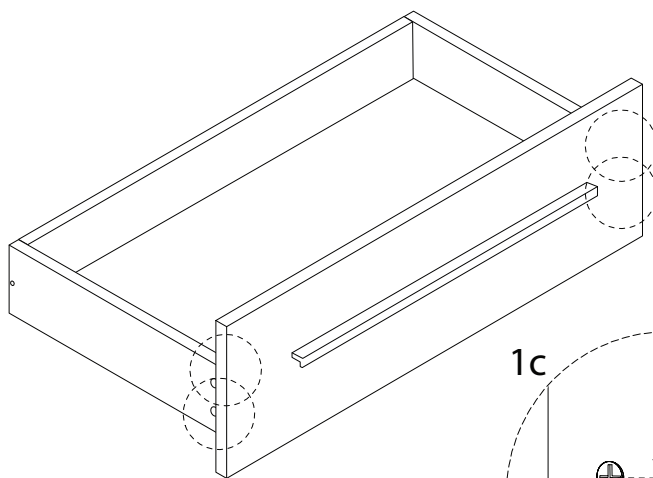
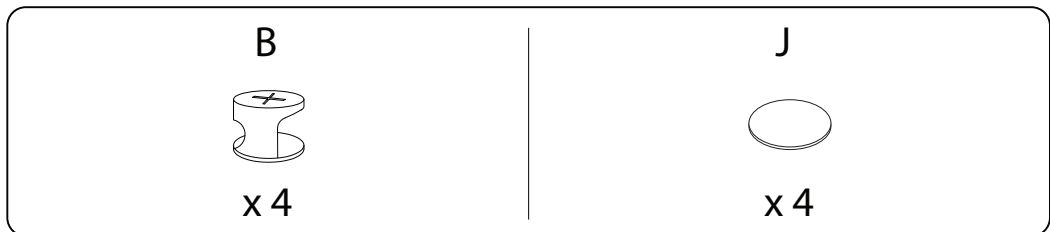
x 4



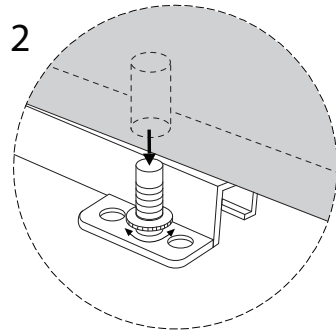
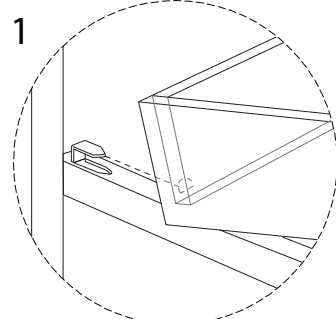
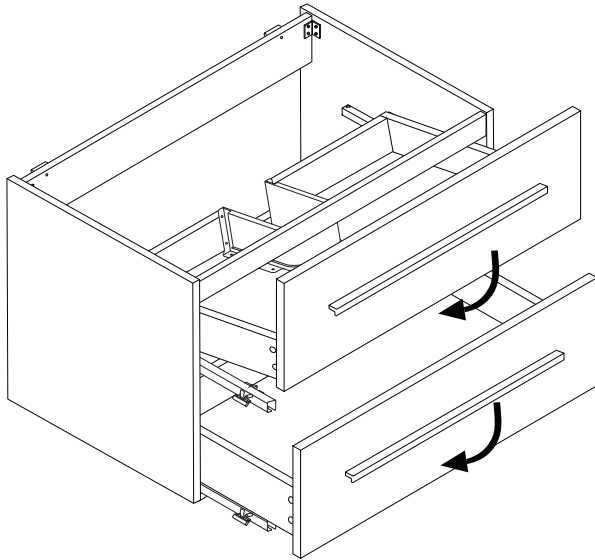
29



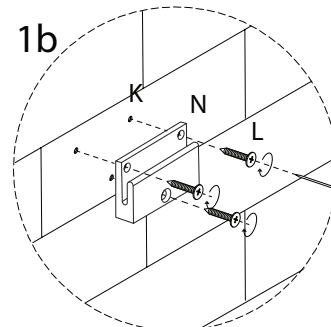
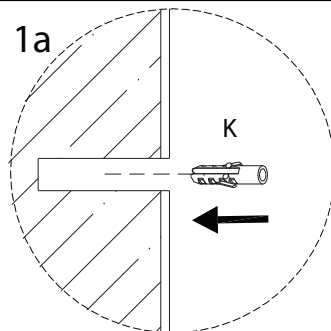
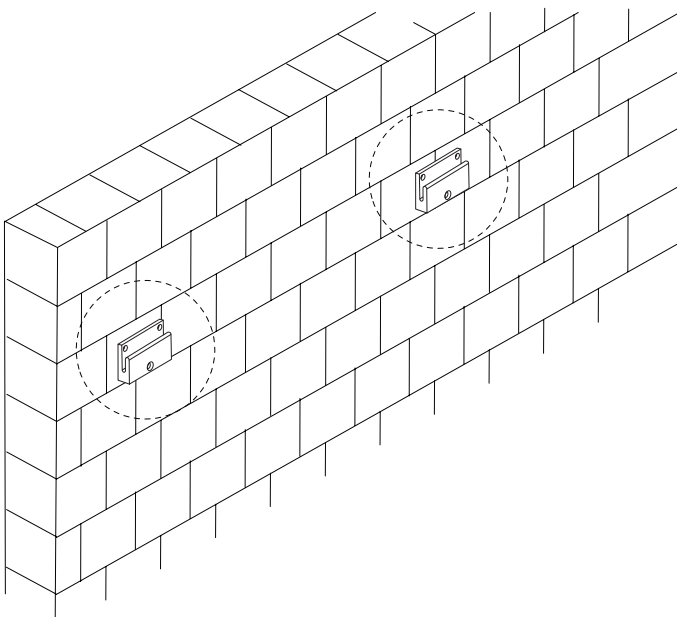
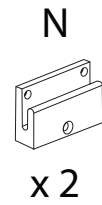
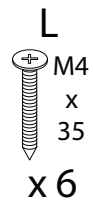
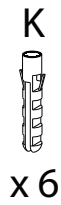
30



31



32



33

