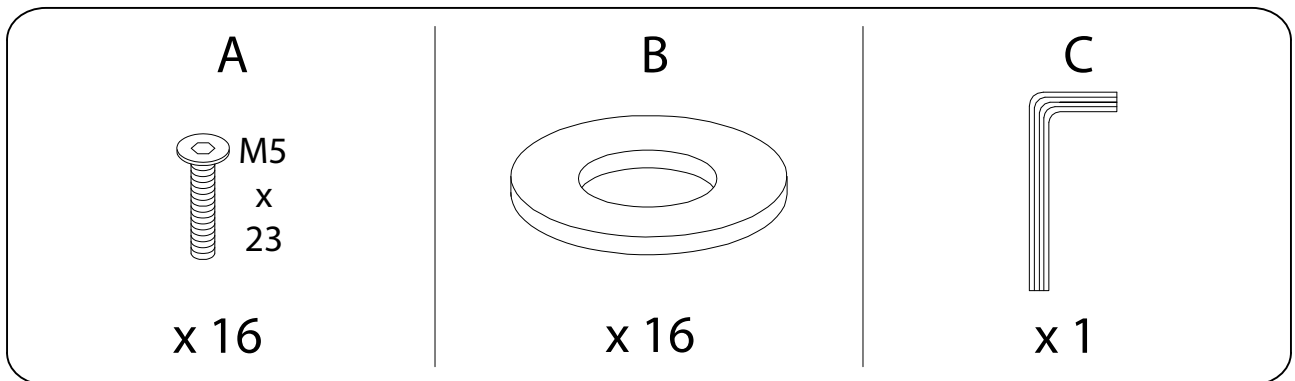
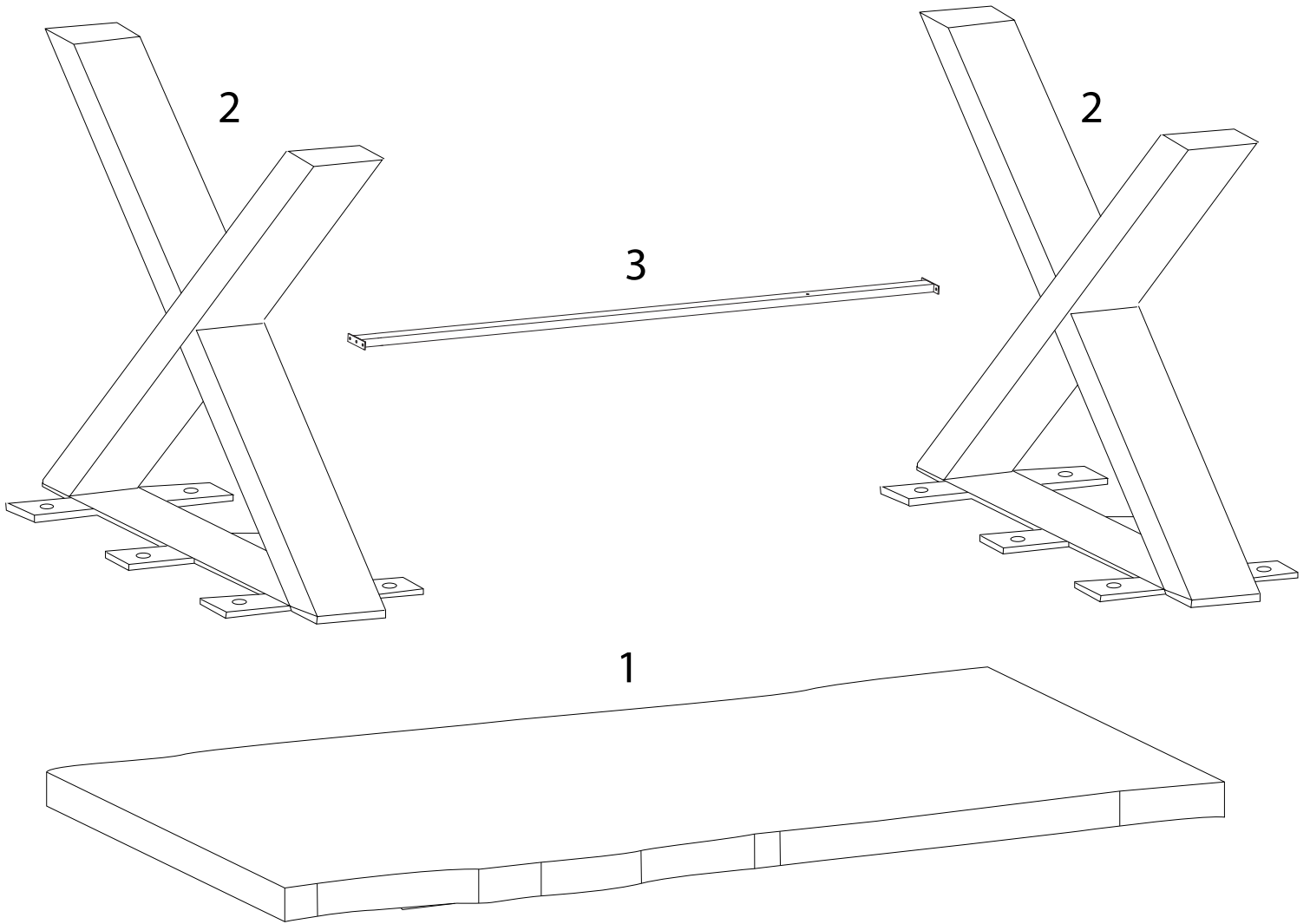
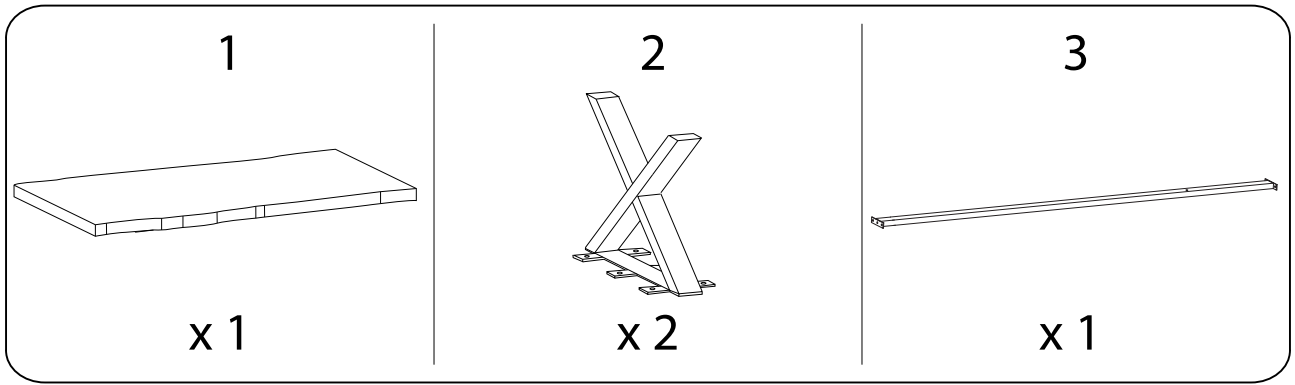
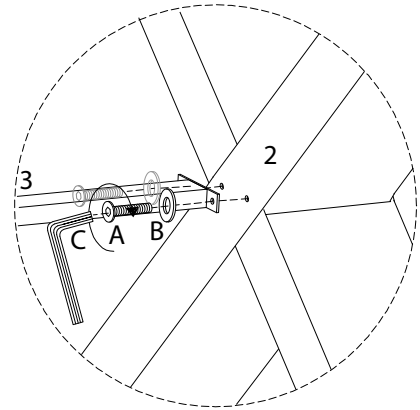
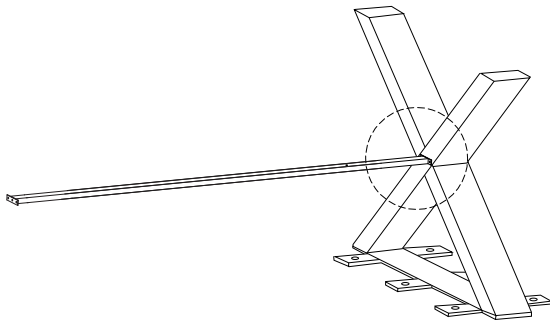
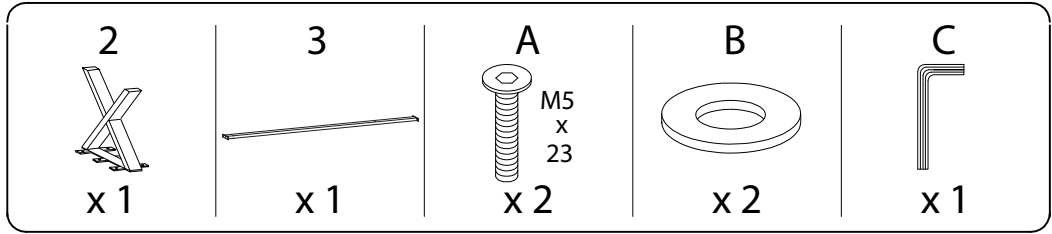


Diagram illustrating assembly steps and safety warnings:

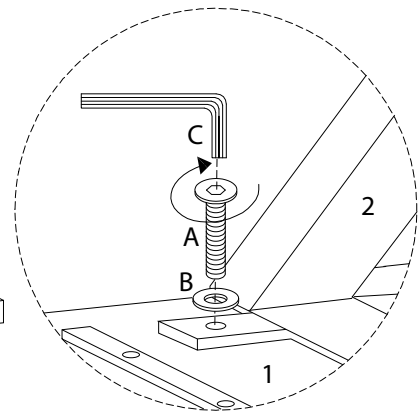
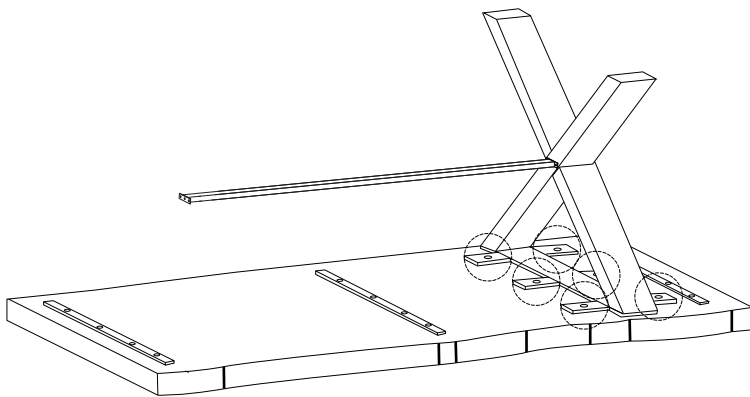
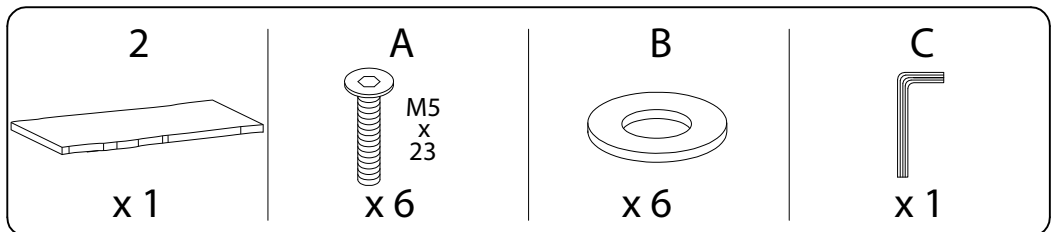
- Step 1:** Shows a corner bracket being attached to the table top. A power drill is shown with a diagonal line through it, indicating that a power drill should not be used for this step. A warning triangle with an exclamation mark is present.
- Step 2:** Shows a rectangular block being attached to the table top. A power drill is shown with a diagonal line through it, indicating that a power drill should not be used for this step. A warning triangle with an exclamation mark is present.
- Time:** A clock icon indicates a time requirement of 20' (20 minutes).
- Personnel:** An icon of a person indicates that 2 people are required for assembly.



1



2



3

