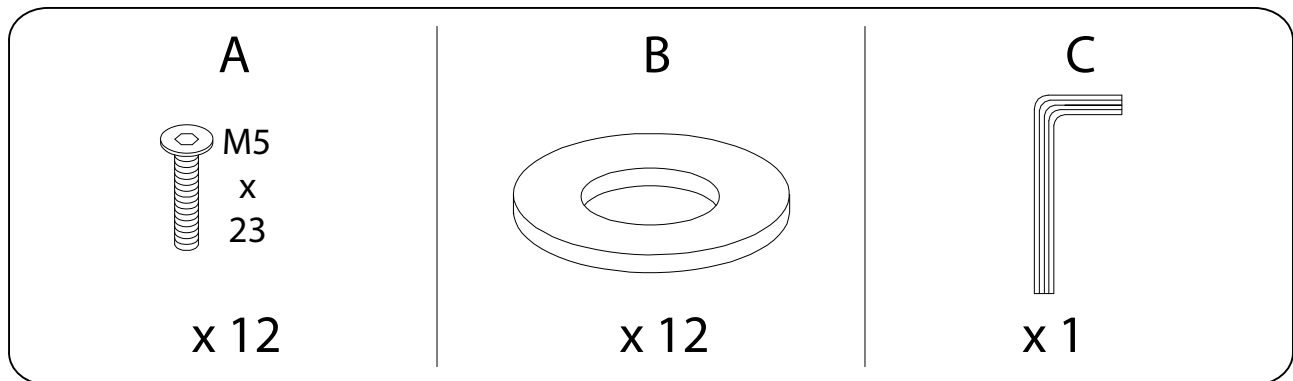
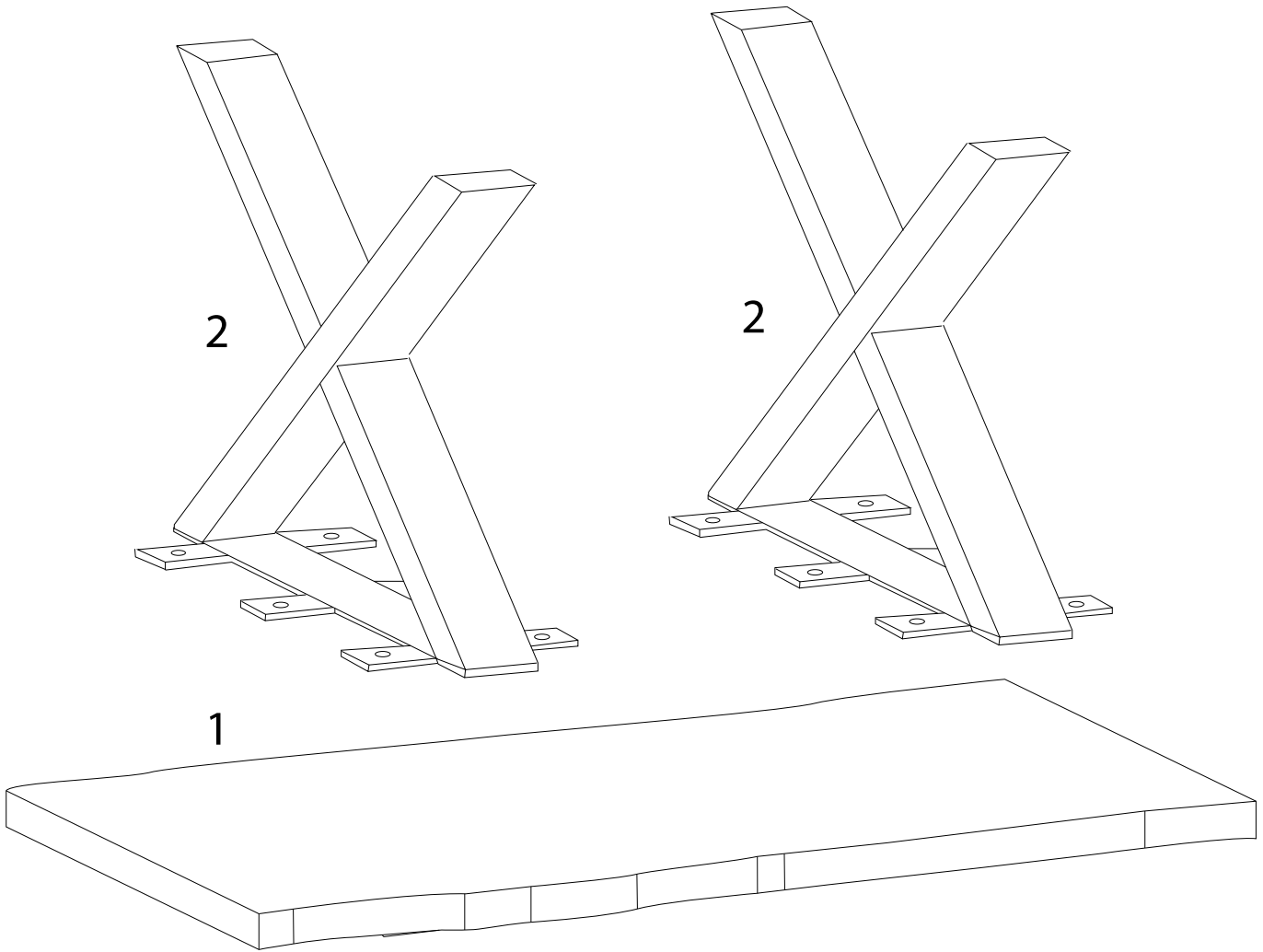
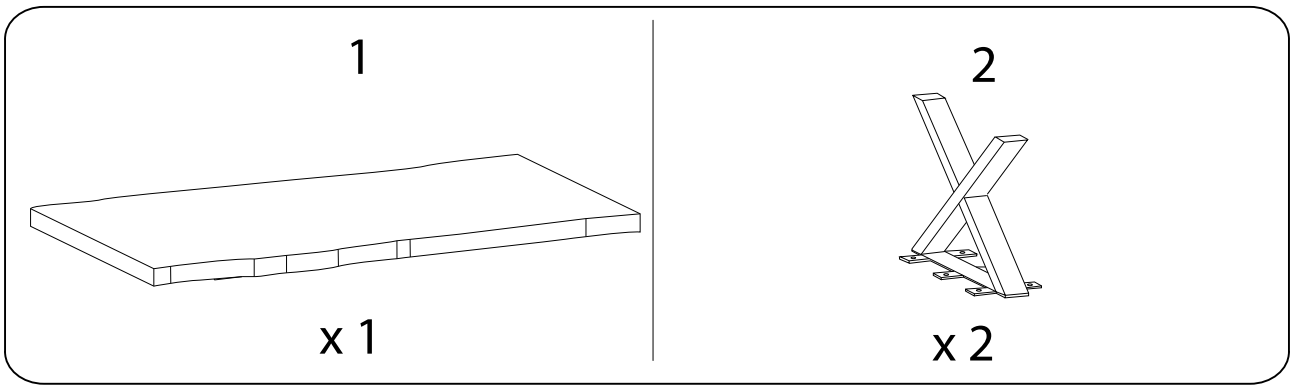


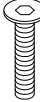
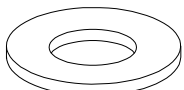
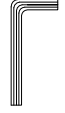


Diagram illustrating assembly steps and safety warnings:

- Step 1:** Shows a corner bracket being attached to the table top using a power drill. A warning triangle with an exclamation mark is present.
- Step 2:** Shows a rectangular block being attached to the table top using a screwdriver. A warning triangle with an exclamation mark is present.
- Time:** A clock icon indicates a 20-minute assembly time.
- Personnel:** A person icon indicates that 2 people are required for assembly.



1

<p>1</p>  <p>x 1</p>	<p>2</p>  <p>x 2</p>	<p>A</p>  <p>M5 x 23</p> <p>x 12</p>	<p>B</p>  <p>x 12</p>	<p>C</p>  <p>x 1</p>
---	---	---	--	---

