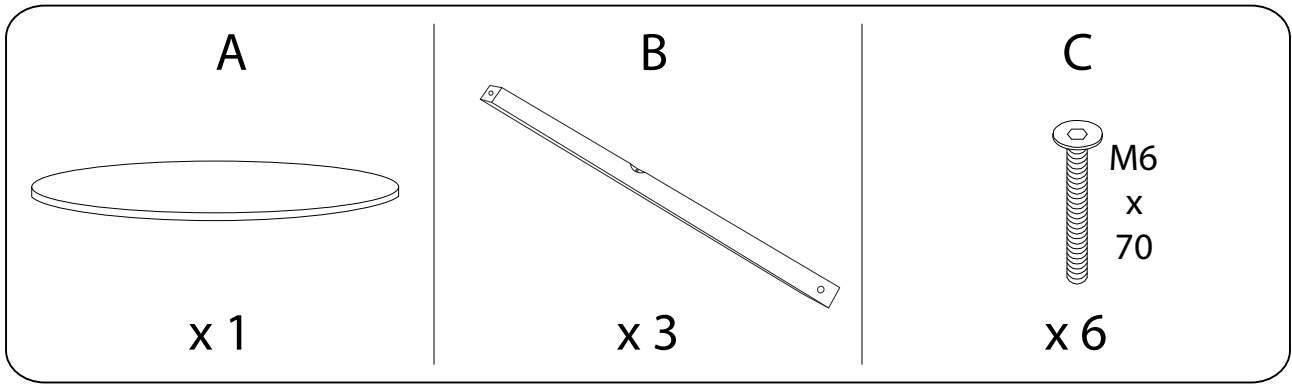
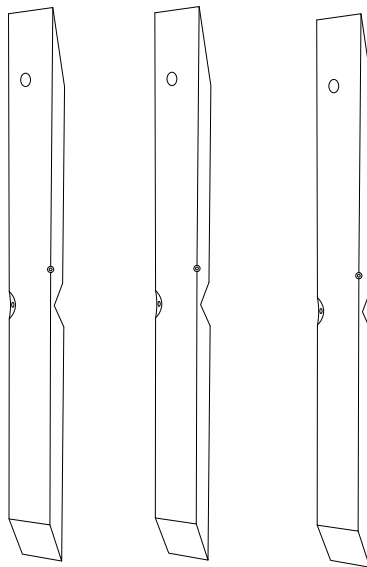
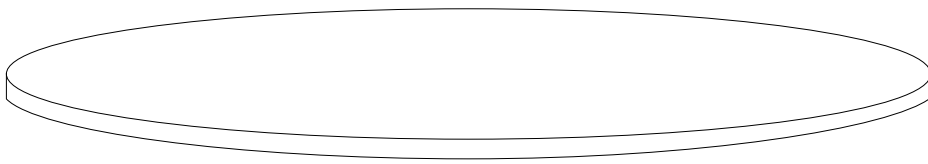


20'

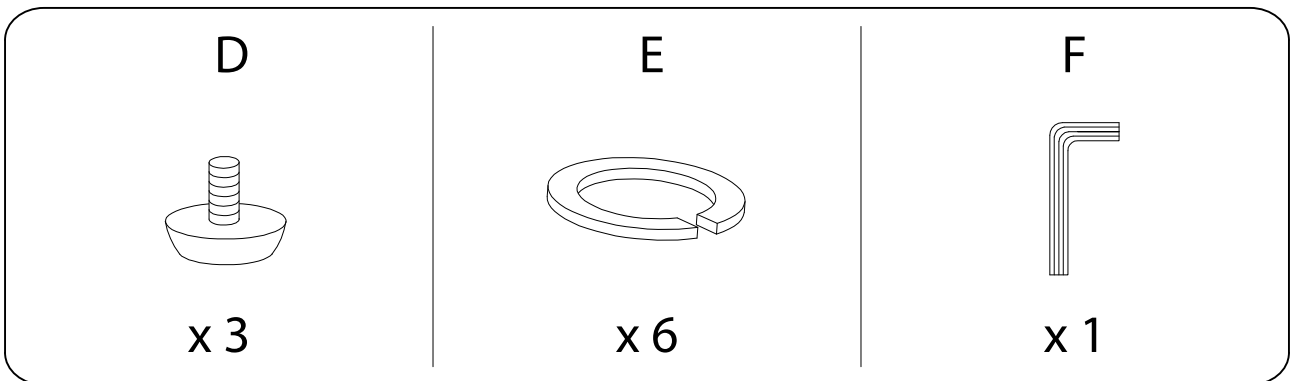
1



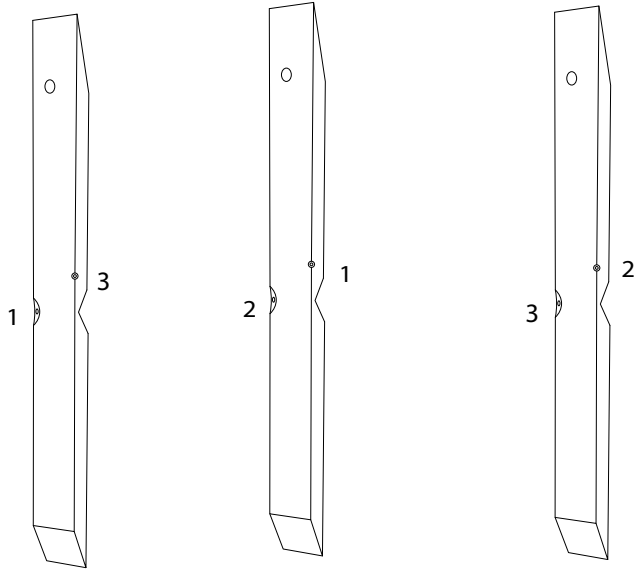
**A x 1**



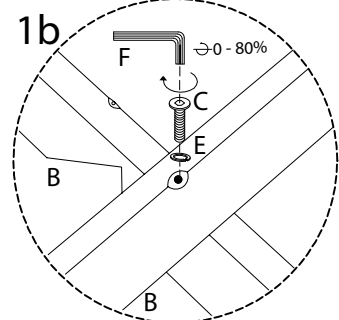
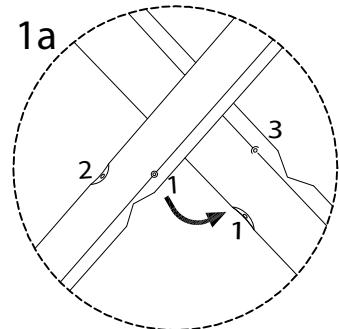
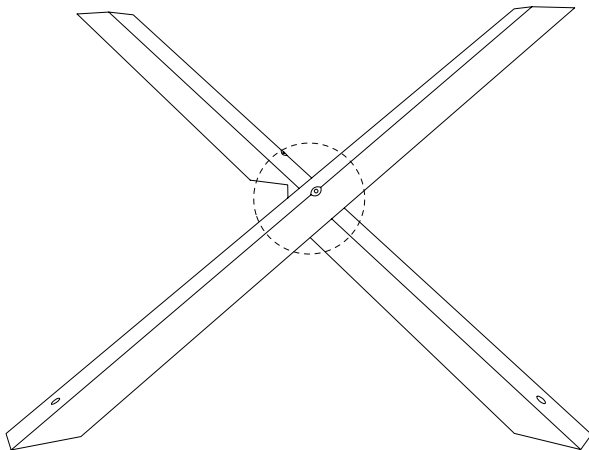
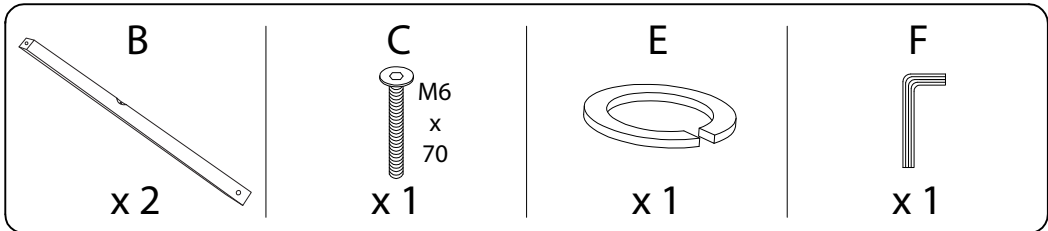
**B x 3**



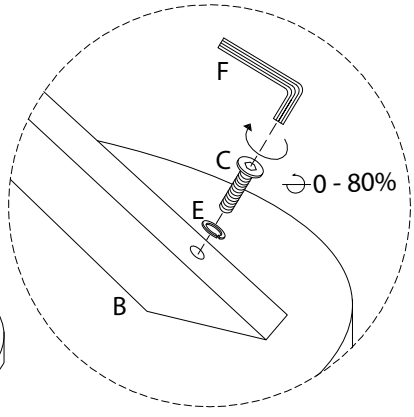
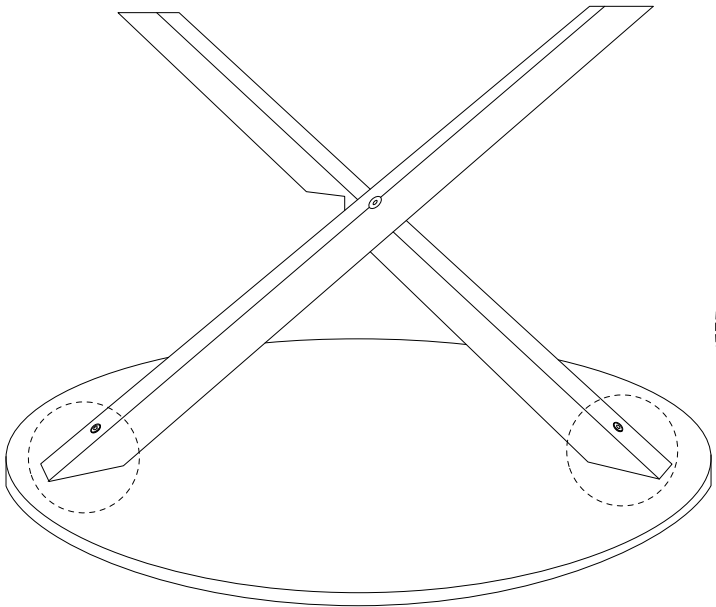
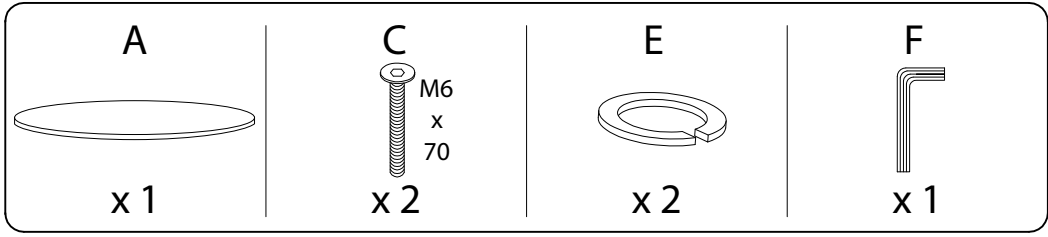
!



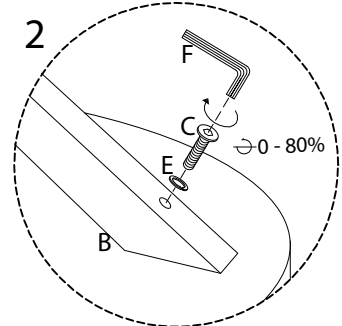
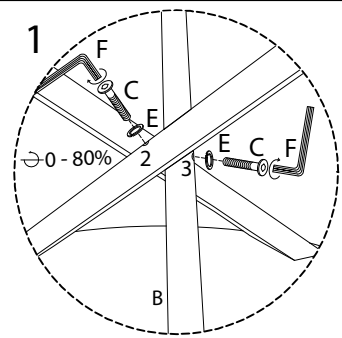
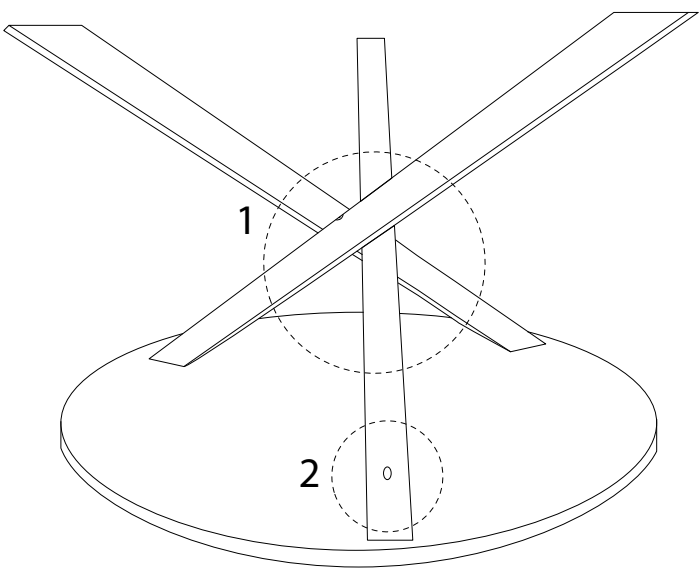
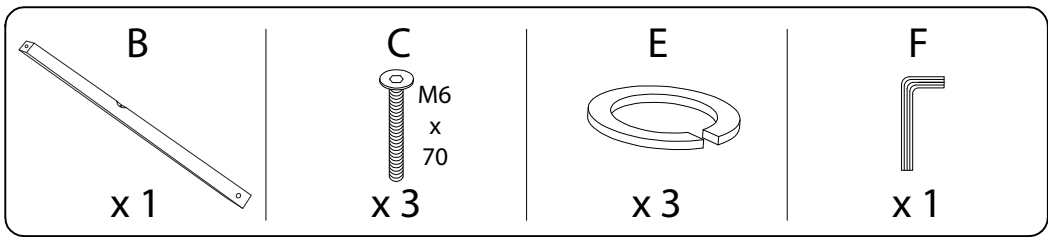
1



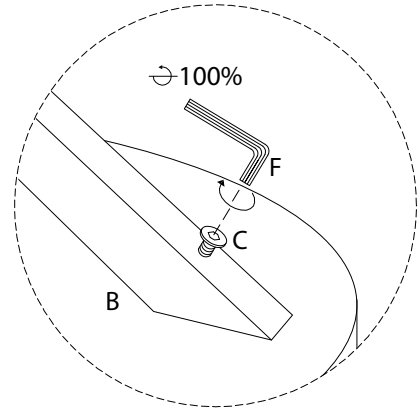
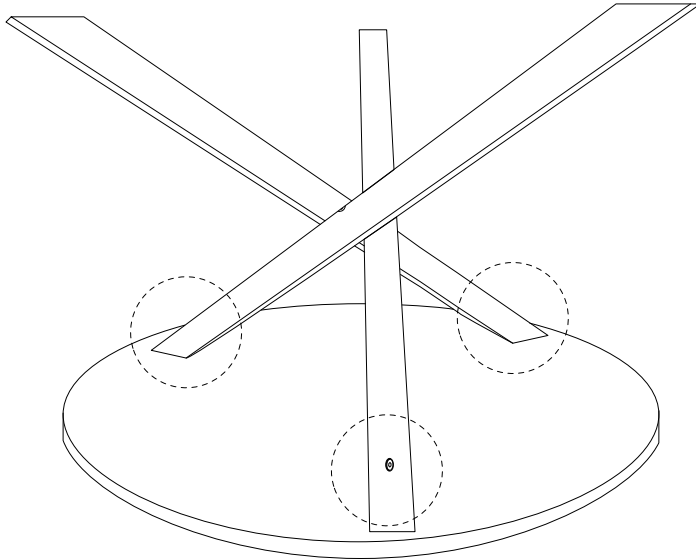
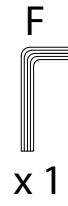
2



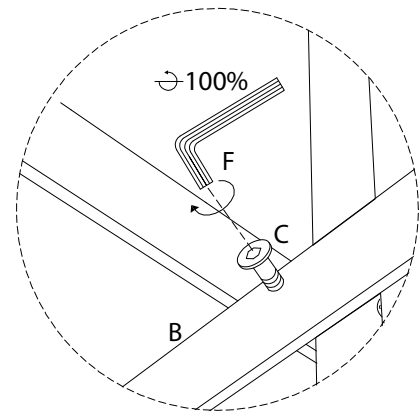
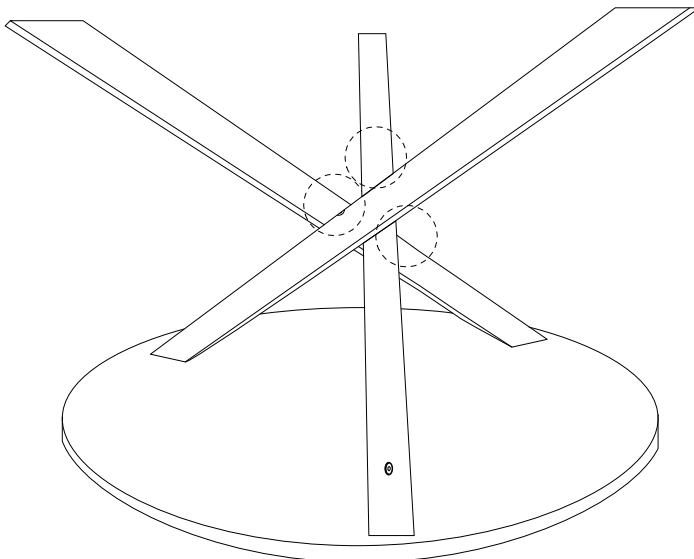
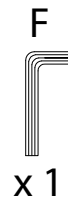
3



4



5



6

