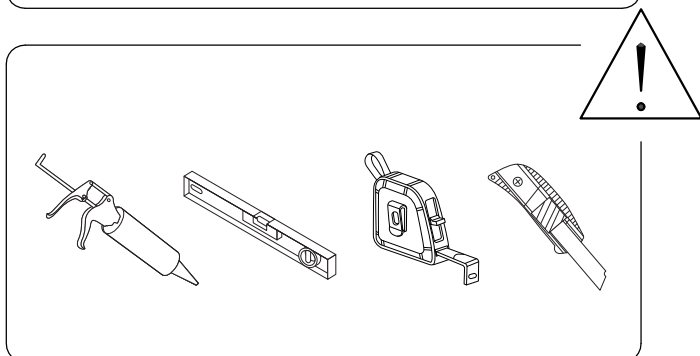
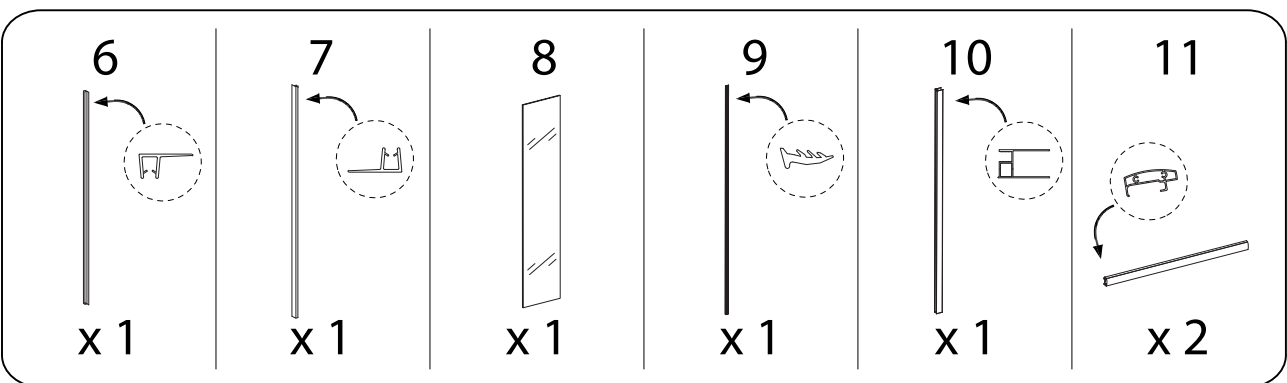
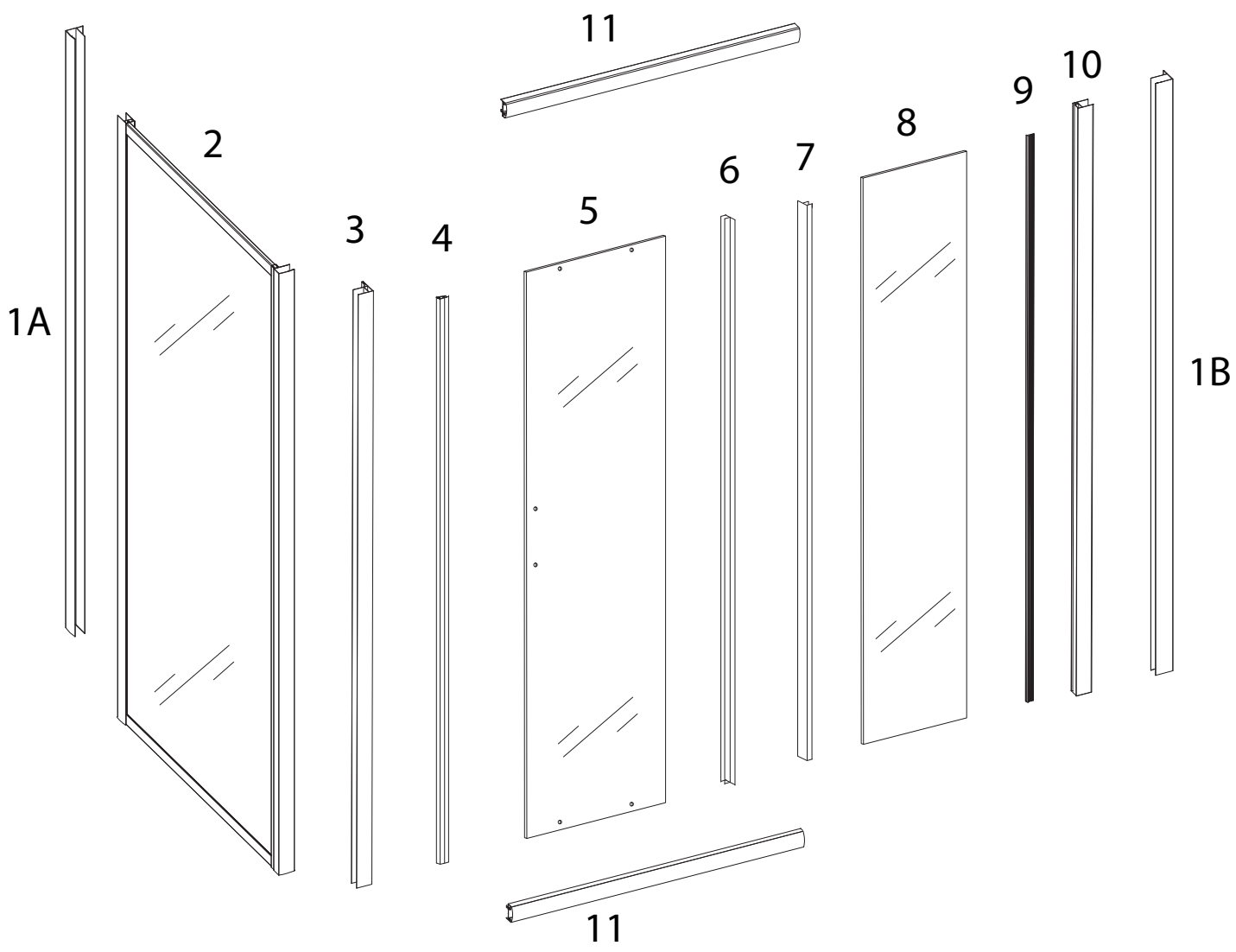
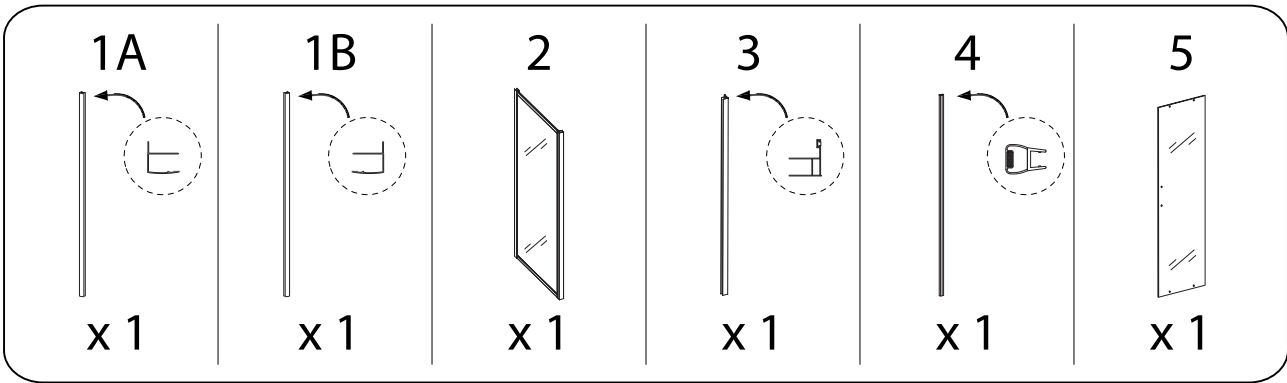
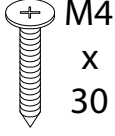
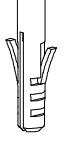
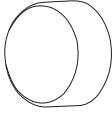

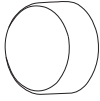

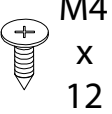
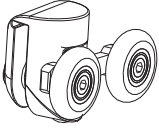
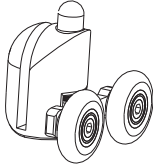
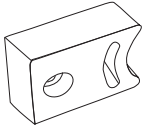
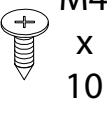
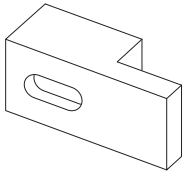
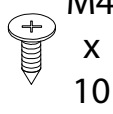
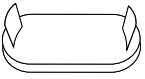
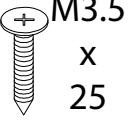
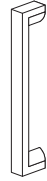
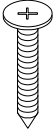
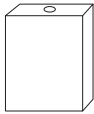
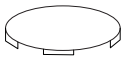



120'

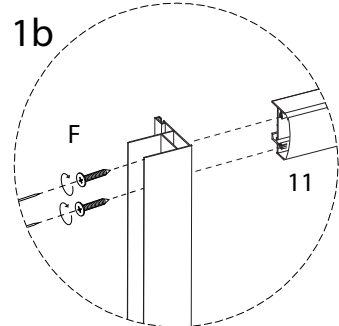
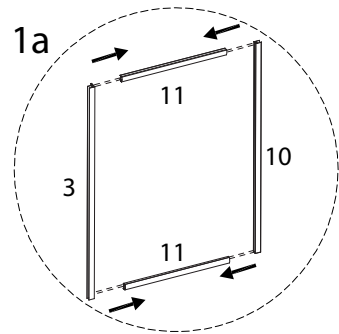
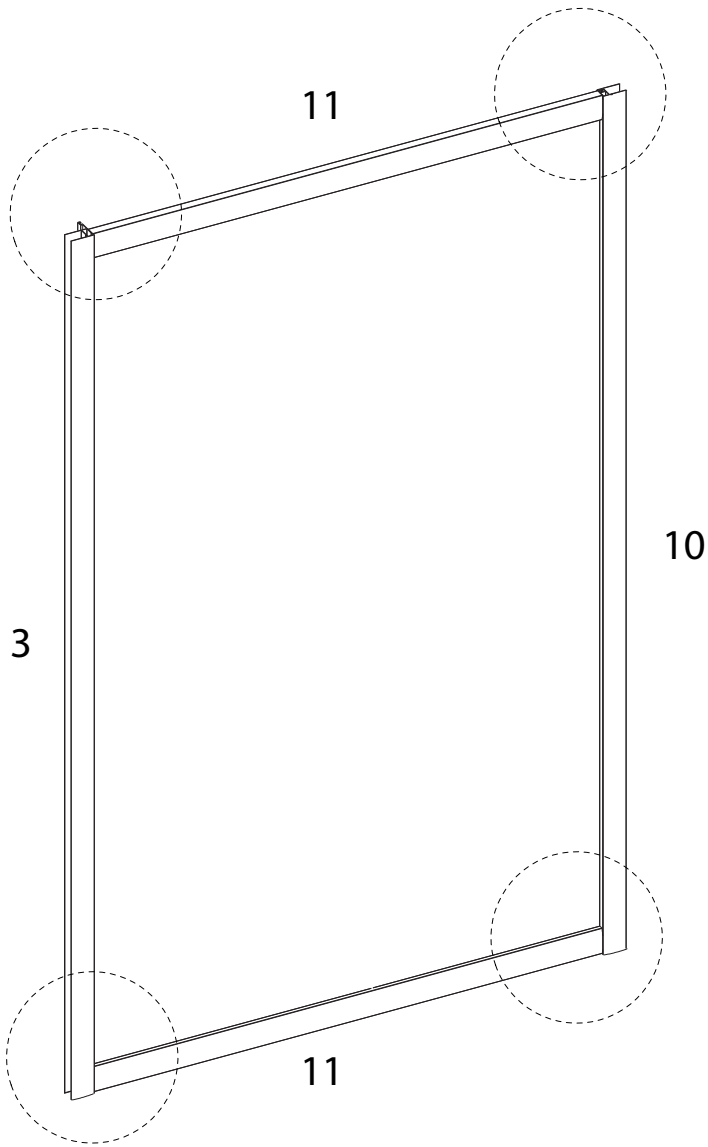
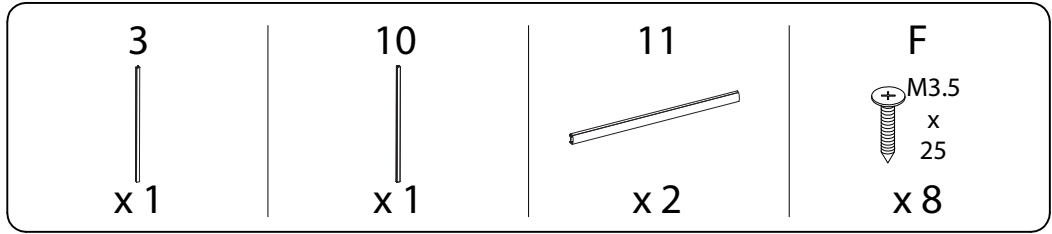


2



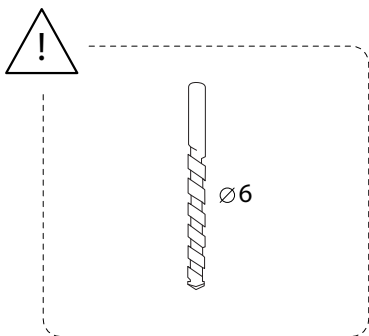
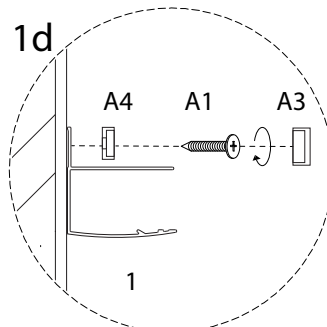
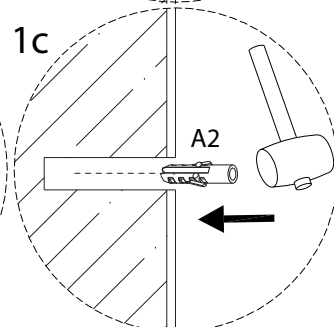
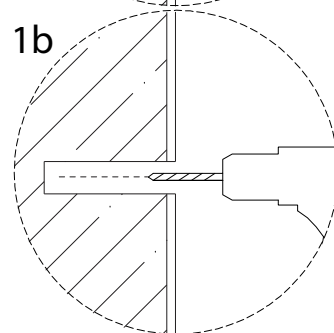
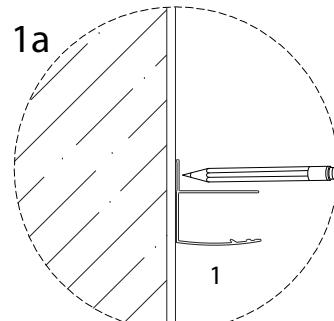
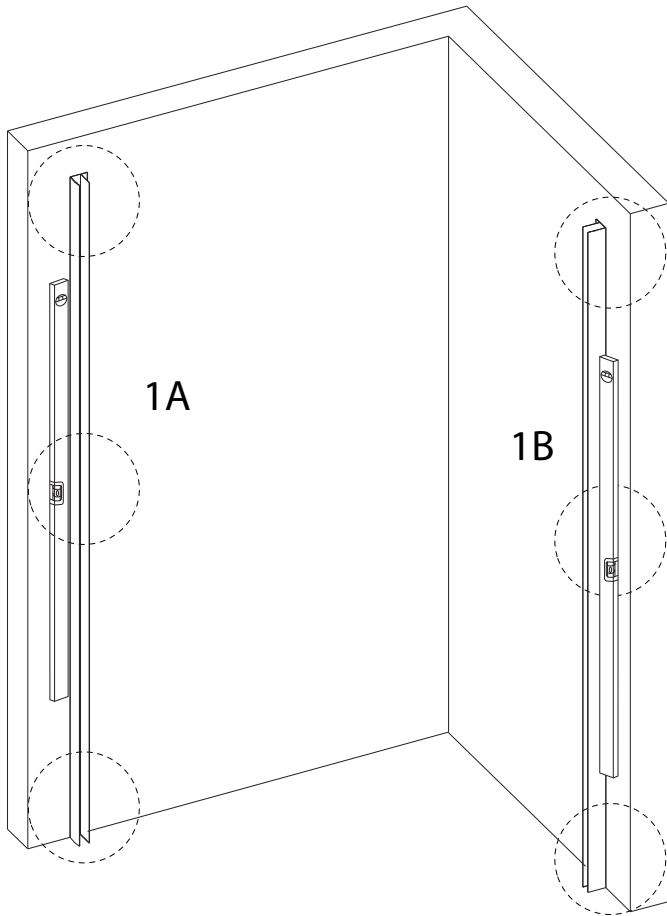
<p>A1</p>  <p>M4 x 30</p> <p>x 6</p>	<p>A2</p>  <p>x 6</p>	<p>A3</p>  <p>x 6</p>	<p>A4</p>  <p>x 6</p>
<p>B1</p>  <p>x 9</p>	<p>B2</p>  <p>x 9</p>	<p>B3</p>  <p>M4 x 12</p> <p>x 9</p>	<p>C1</p>  <p>x 2</p>
<p>C2</p>  <p>x 2</p>	<p>D1</p>  <p>x 2</p>	<p>D2</p>  <p>M4 x 10</p> <p>x 2</p>	<p>E1</p>  <p>x 2</p>
<p>E2</p>  <p>M4 x 10</p> <p>x 2</p>	<p>E3</p>  <p>x 2</p>	<p>F</p>  <p>M3.5 x 25</p> <p>x 8</p>	<p>G1</p>  <p>x 1</p>
<p>G2</p>  <p>x 2</p>	<p>G3</p>  <p>x 2</p>	<p>G4</p>  <p>x 2</p>	<p>H</p>  <p>∅ 3</p> <p>x 1</p>

1

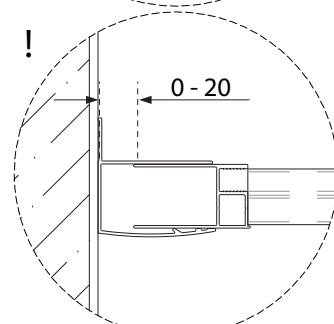
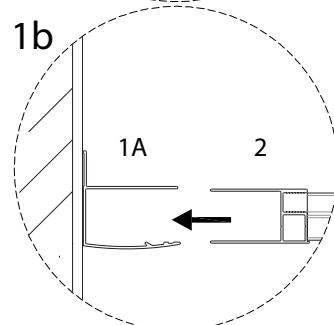
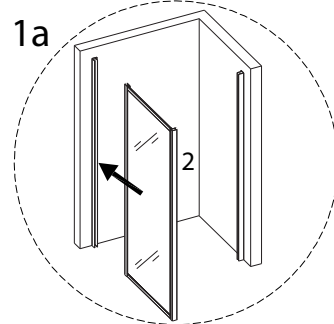
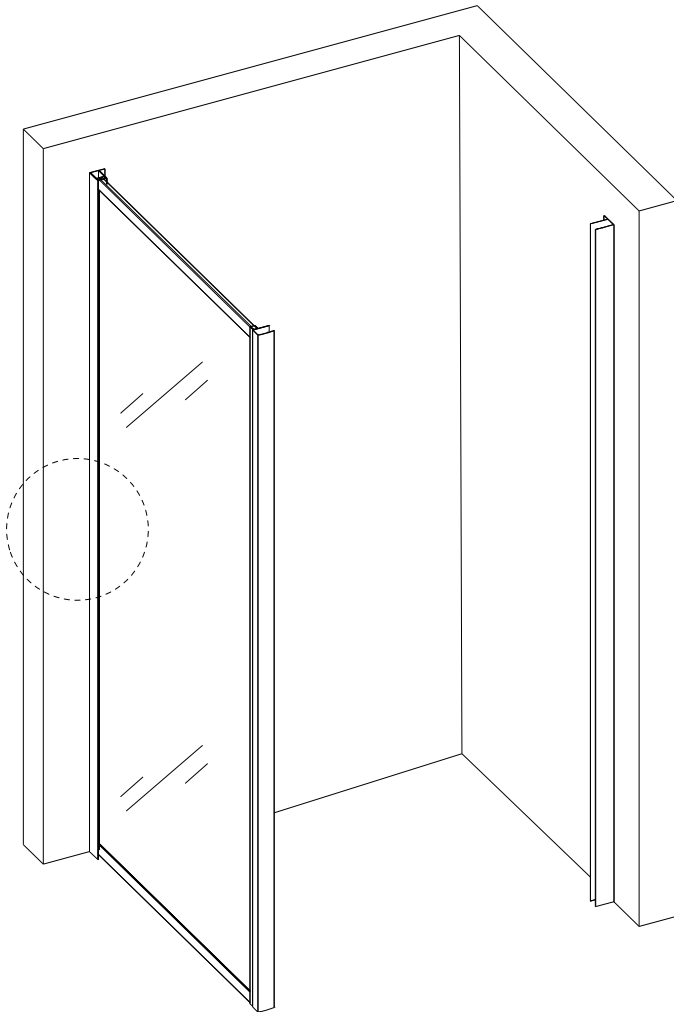
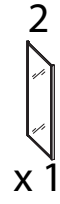


2

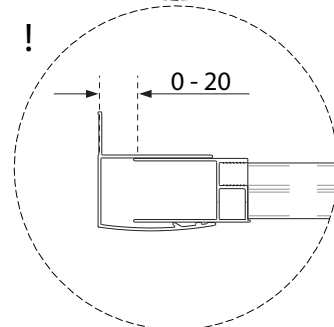
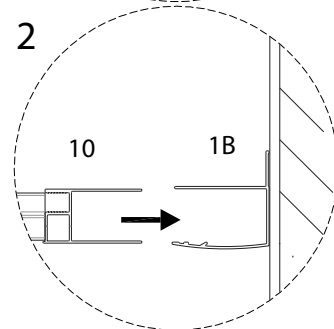
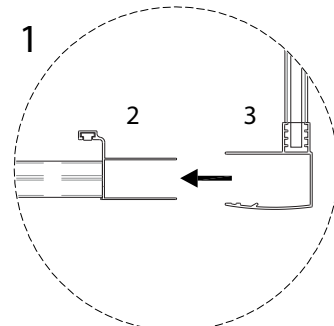
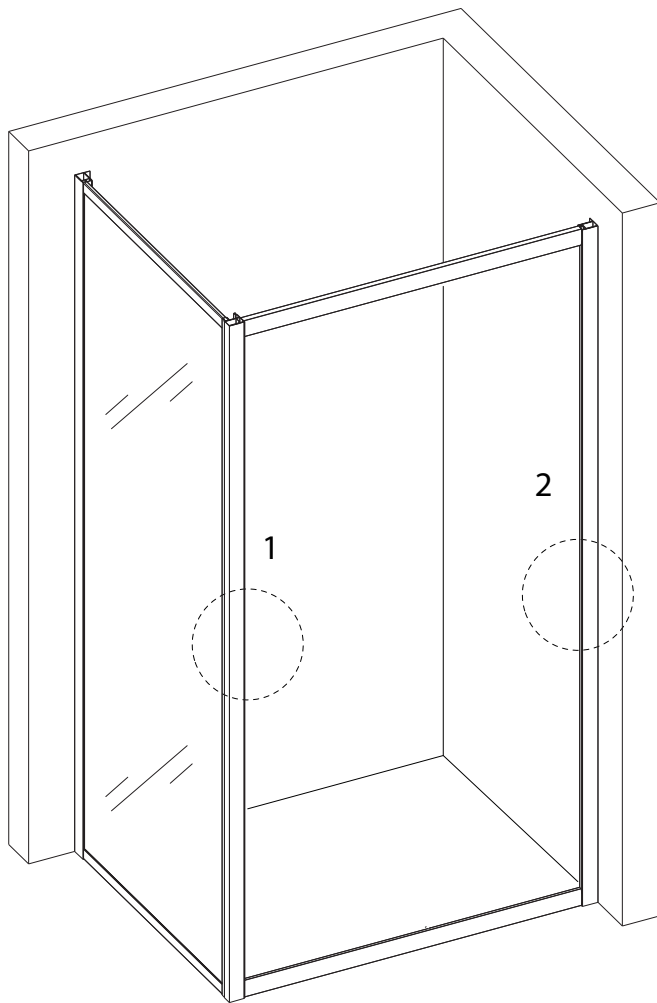
1A x1	1B x1	A1 M4 x 30 x6	A2 x6	A3 x6	A4 x6
----------	----------	---------------------------	----------	----------	----------







3

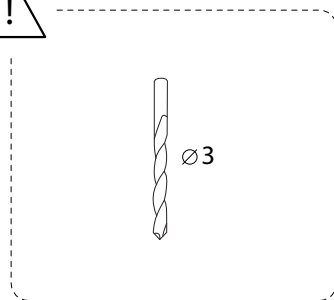
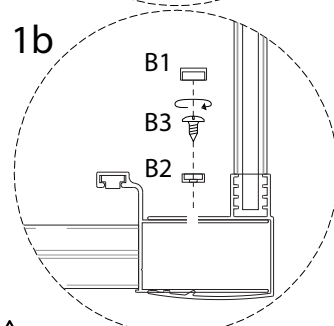
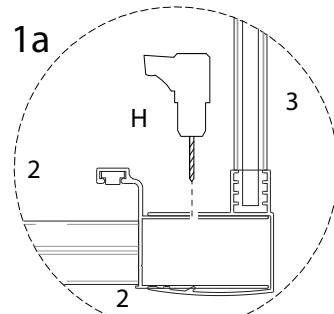
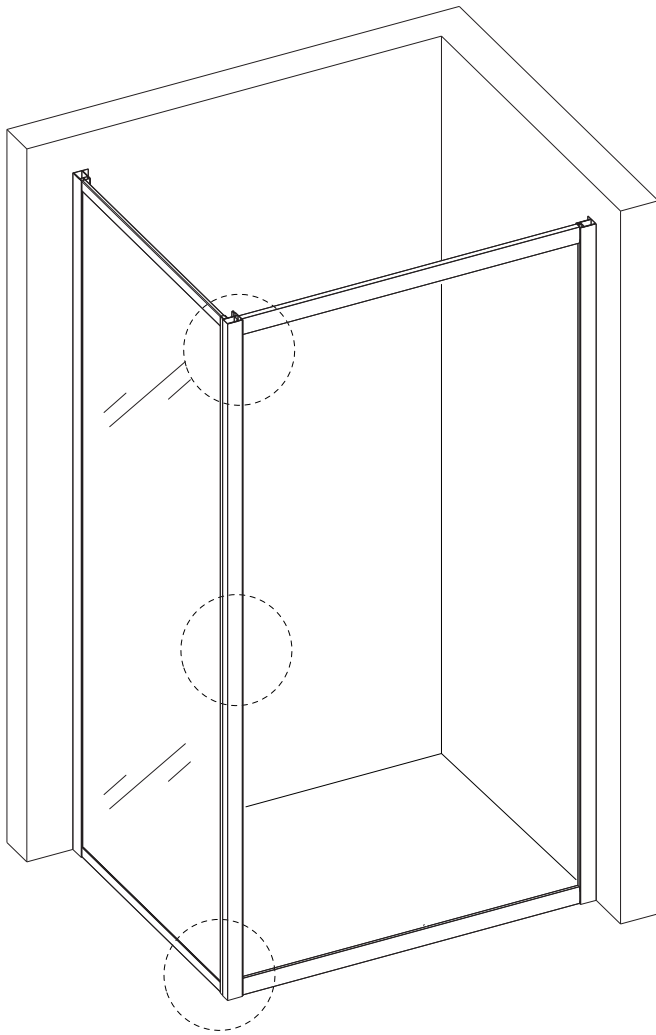


4







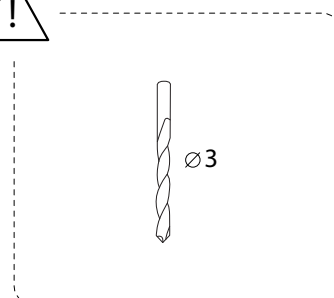
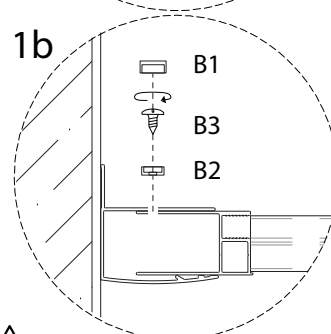
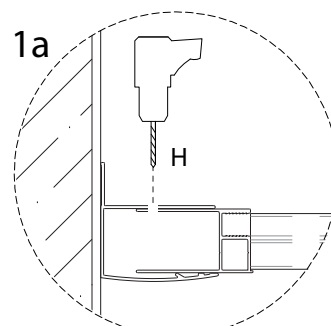
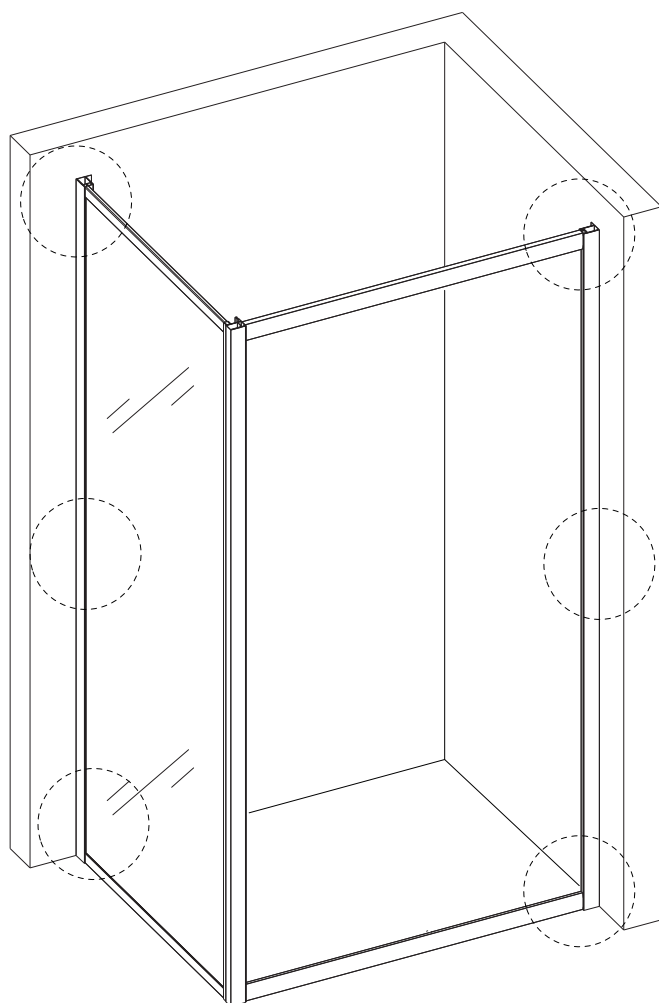
5

B1  x 3	B2  x 3	B3  M4 x 12 x 3	H  Ø3 x 1
---	---	---	--



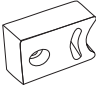

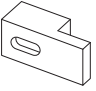




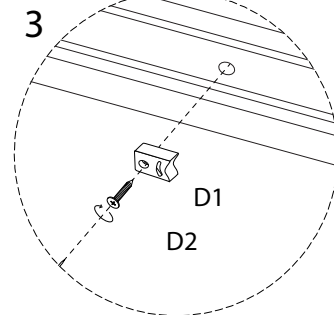
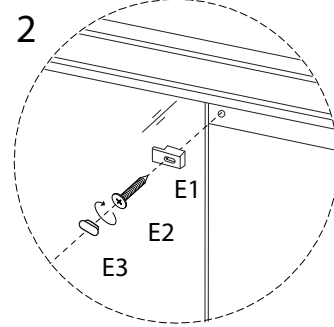
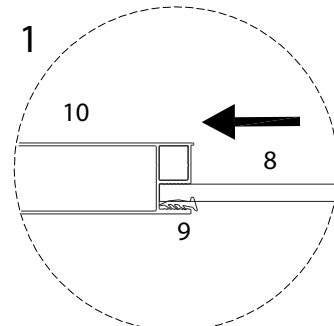
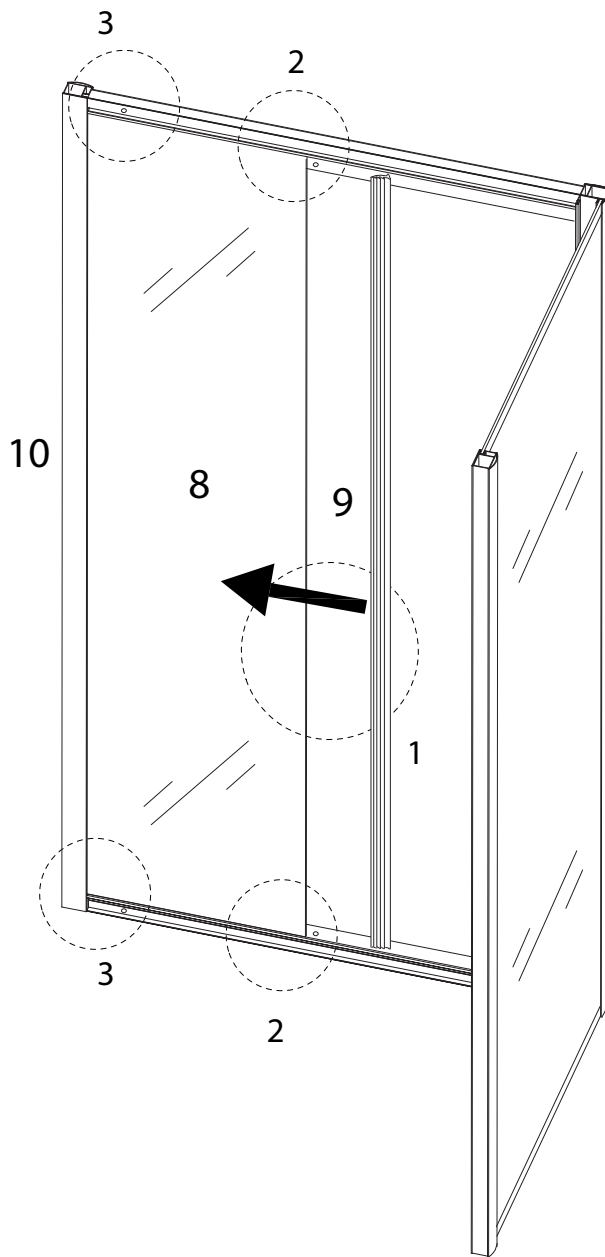
6

B1  x 6	B2  x 6	B3  M4 x 12 x 6	H  Ø3 x 1
---	---	---	--

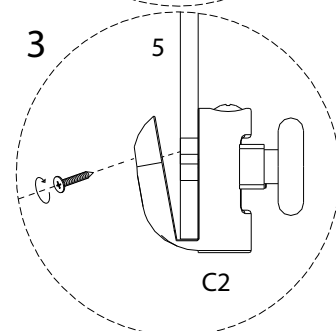
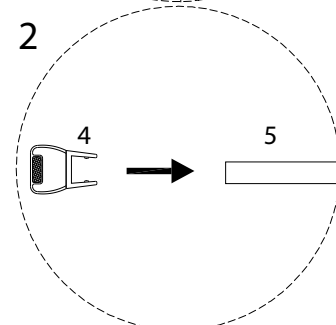
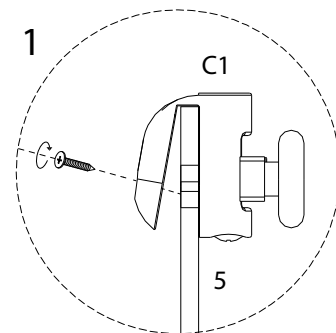
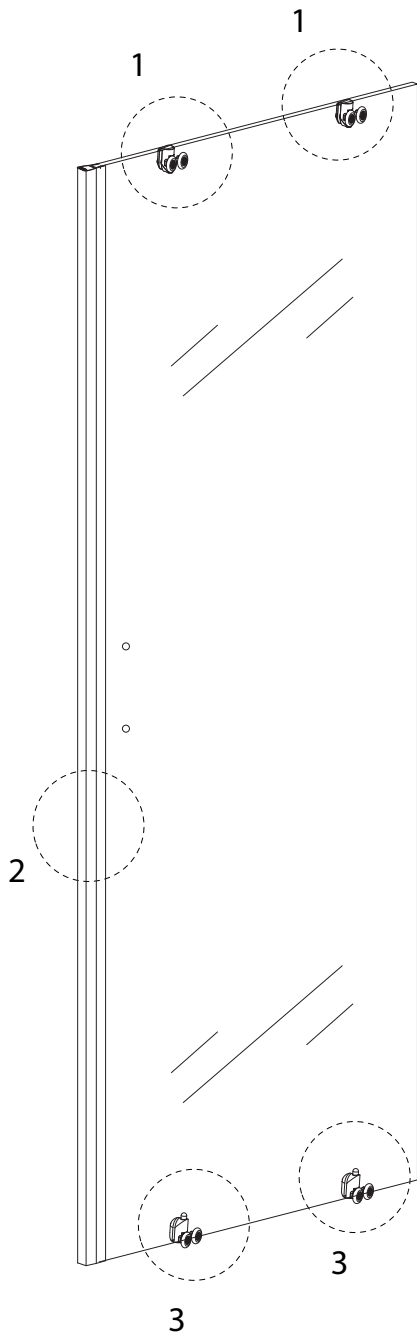
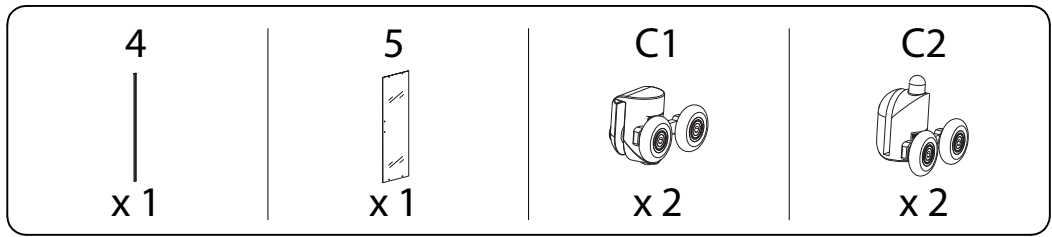


7

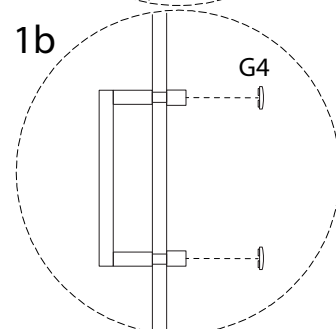
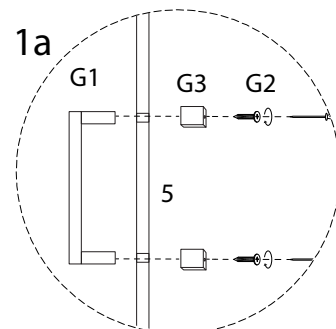
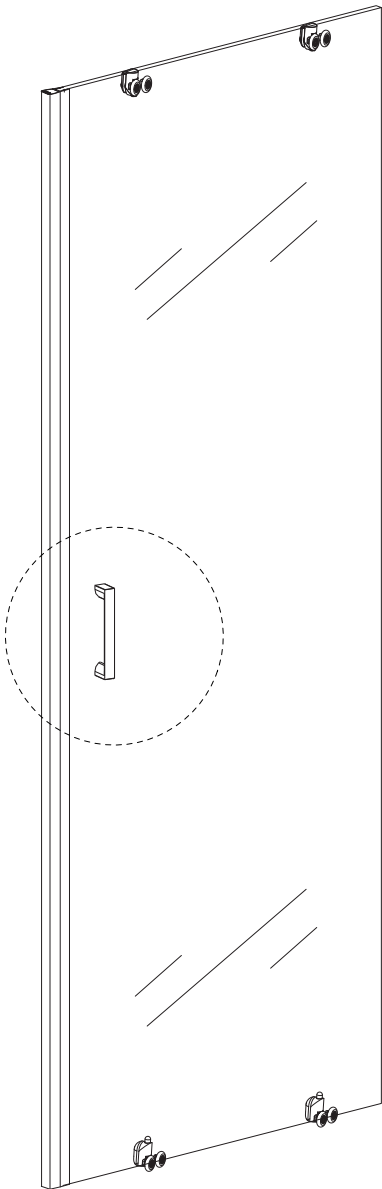
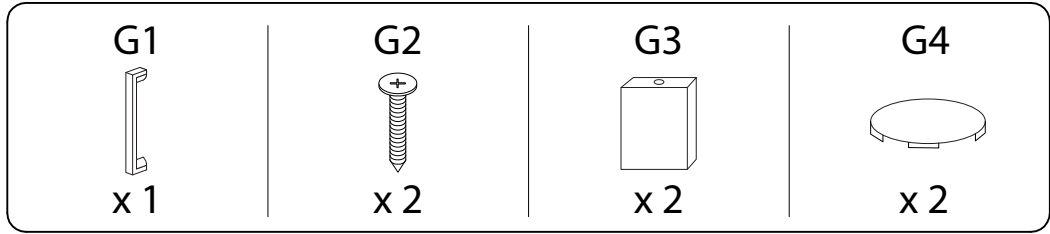
<p>8</p>  <p>x 1</p>	<p>9</p>  <p>x 1</p>	<p>D1</p>  <p>x 2</p>	
<p>D2</p>  <p>M4 x 10 x 2</p>	<p>E1</p>  <p>x 2</p>	<p>E2</p>  <p>M4 x 10 x 2</p>	<p>E3</p>  <p>x 2</p>



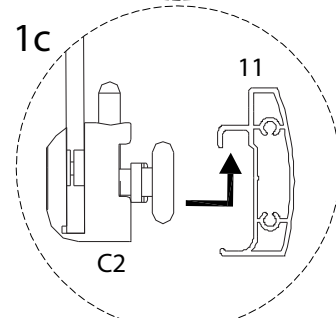
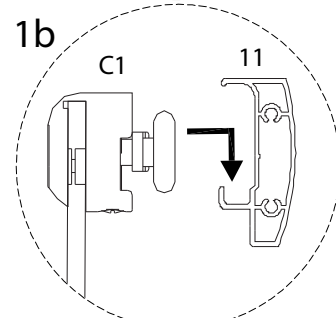
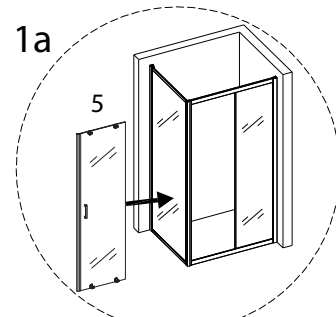
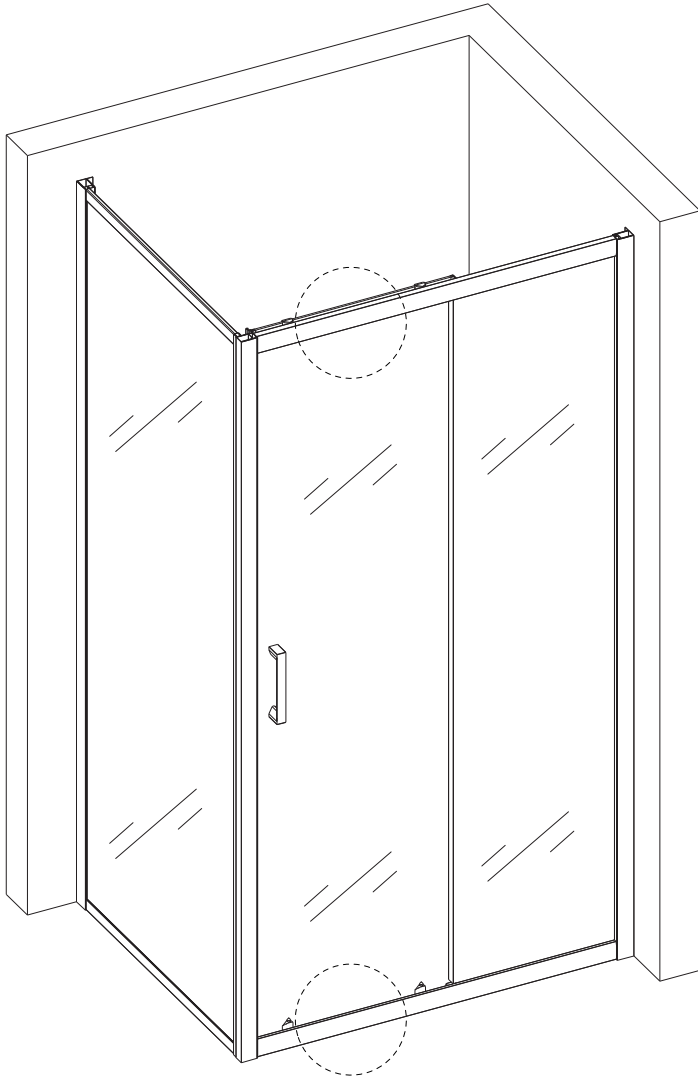
8



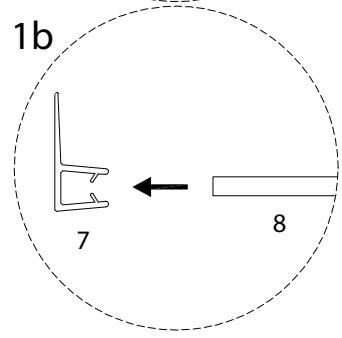
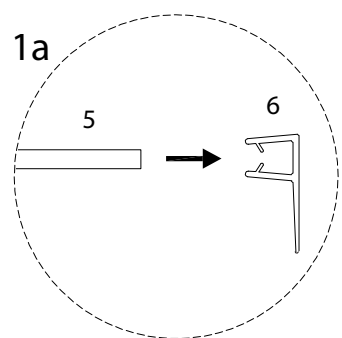
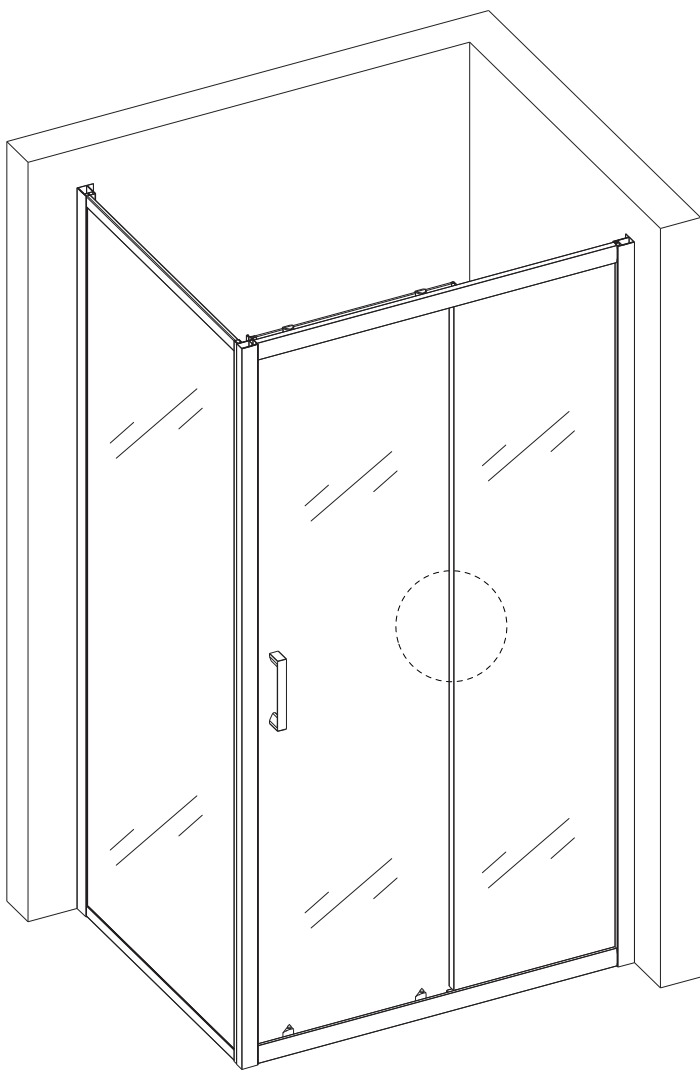
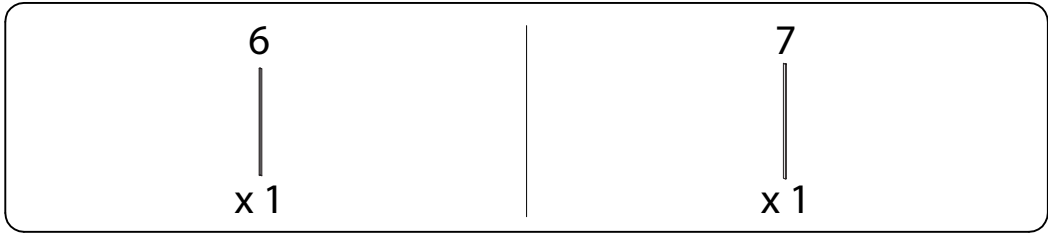
9



10



11



12

