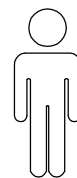
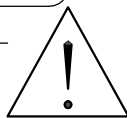
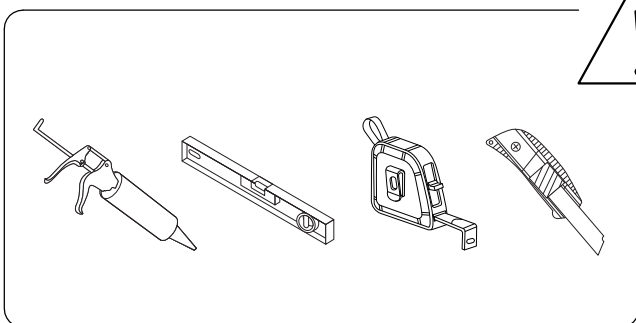
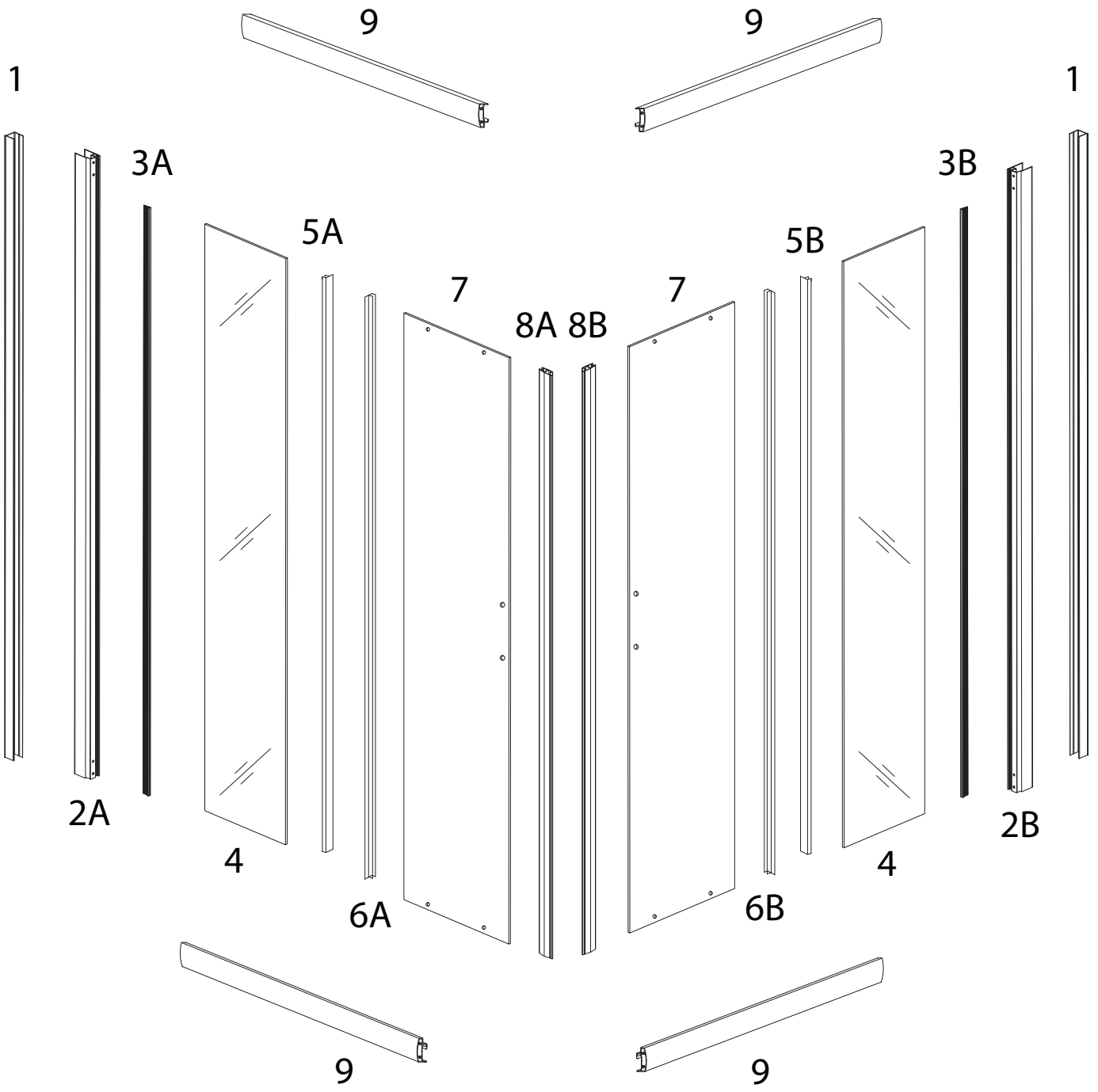


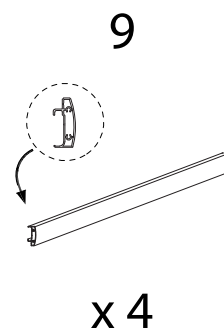
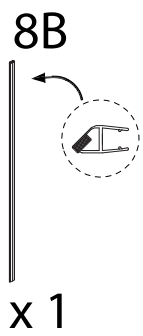
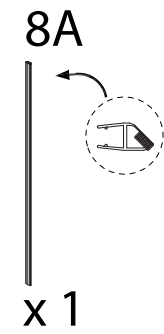
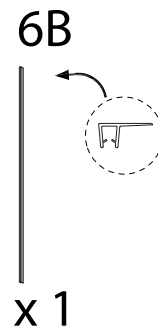
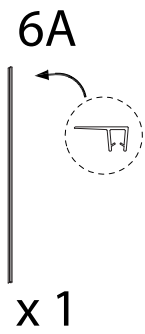
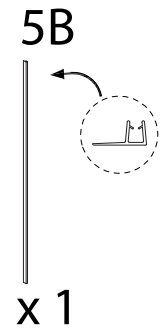
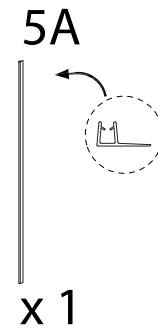
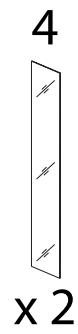
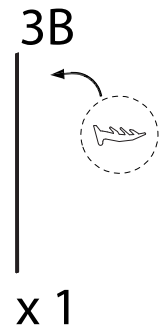
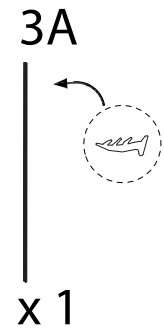
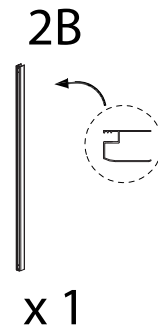
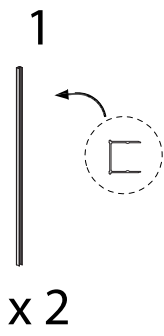
120'

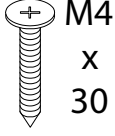
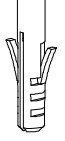
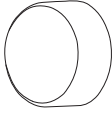

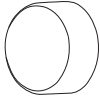

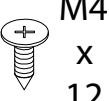
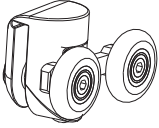
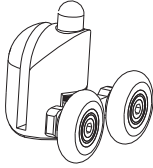
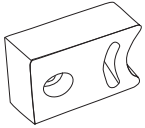

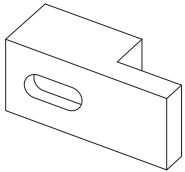
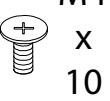
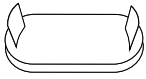
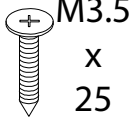

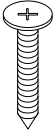
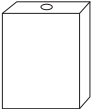
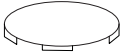
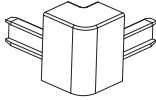
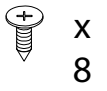



2

1/15

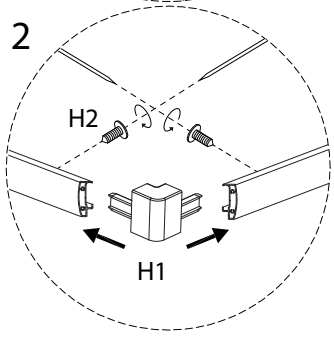
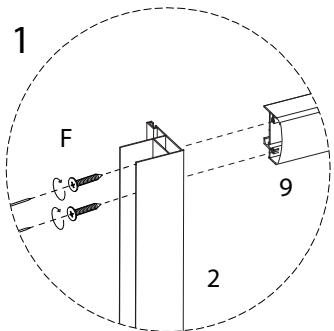
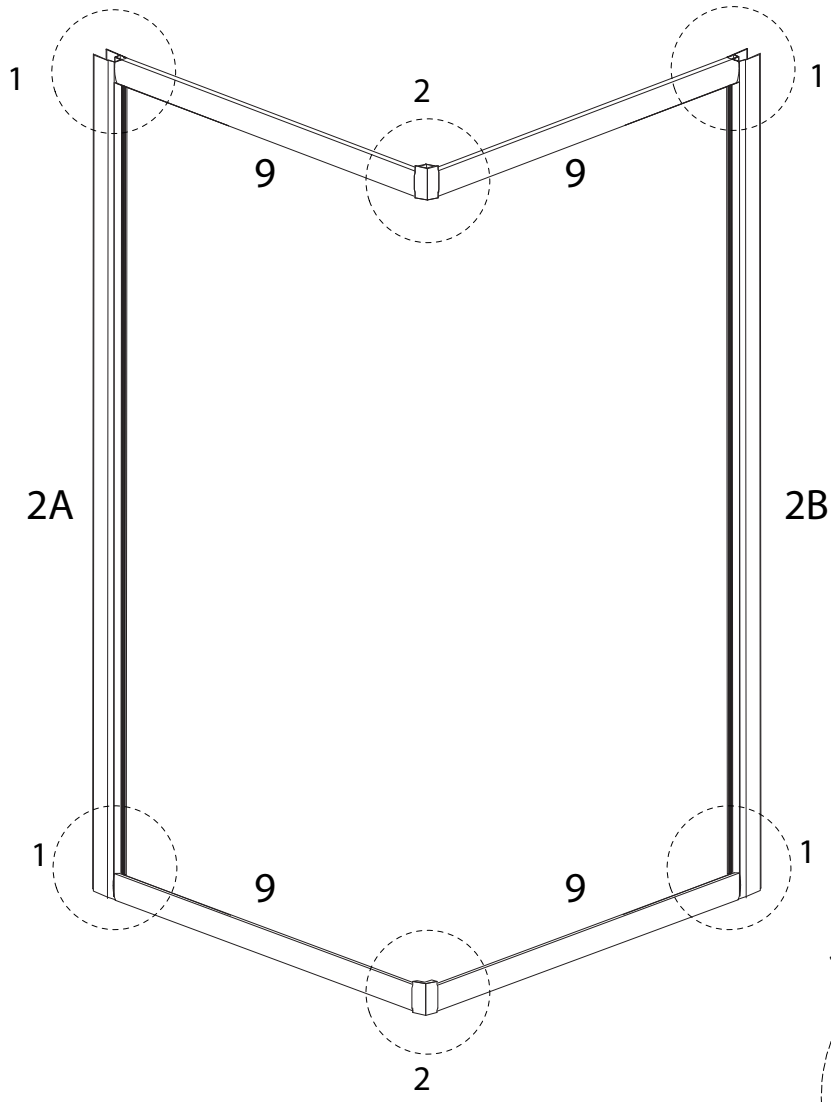





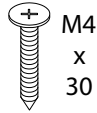

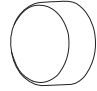

<p>A1</p>  <p>M4 x 30</p> <p>x 6</p>	<p>A2</p>  <p>x 6</p>	<p>A3</p>  <p>x 6</p>	<p>A4</p>  <p>x 6</p>	
<p>B1</p>  <p>x 6</p>	<p>B2</p>  <p>x 6</p>	<p>B3</p>  <p>M4 x 12</p> <p>x 6</p>	<p>C1</p>  <p>x 4</p>	
<p>C2</p>  <p>x 4</p>	<p>D1</p>  <p>x 8</p>	<p>D2</p>  <p>M4 x 10</p> <p>x 8</p>	<p>E1</p>  <p>x 4</p>	
<p>E2</p>  <p>M4 x 10</p> <p>x 4</p>	<p>E3</p>  <p>x 4</p>	<p>F</p>  <p>M3.5 x 25</p> <p>x 8</p>	<p>G1</p>  <p>x 2</p>	<p>G2</p>  <p>x 4</p>
<p>G3</p>  <p>x 4</p>	<p>G4</p>  <p>x 4</p>	<p>H1</p>  <p>x 2</p>	<p>H2</p>  <p>M4 x 8</p> <p>x 4</p>	<p>I</p>  <p>3</p> <p>x 1</p>

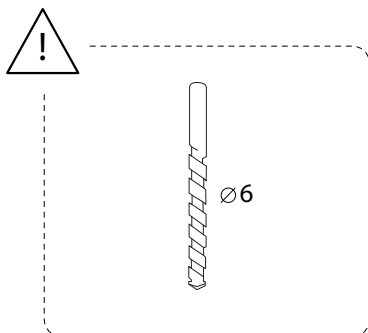
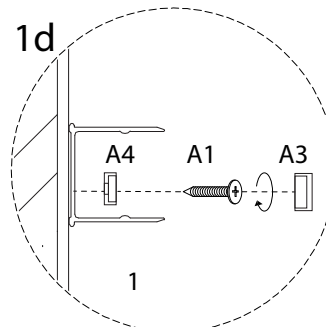
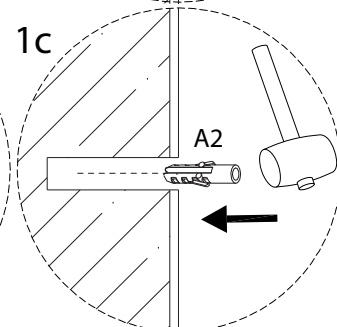
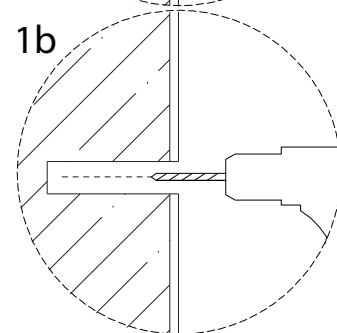
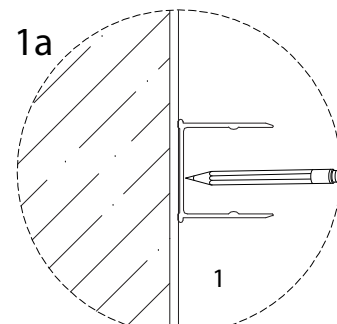
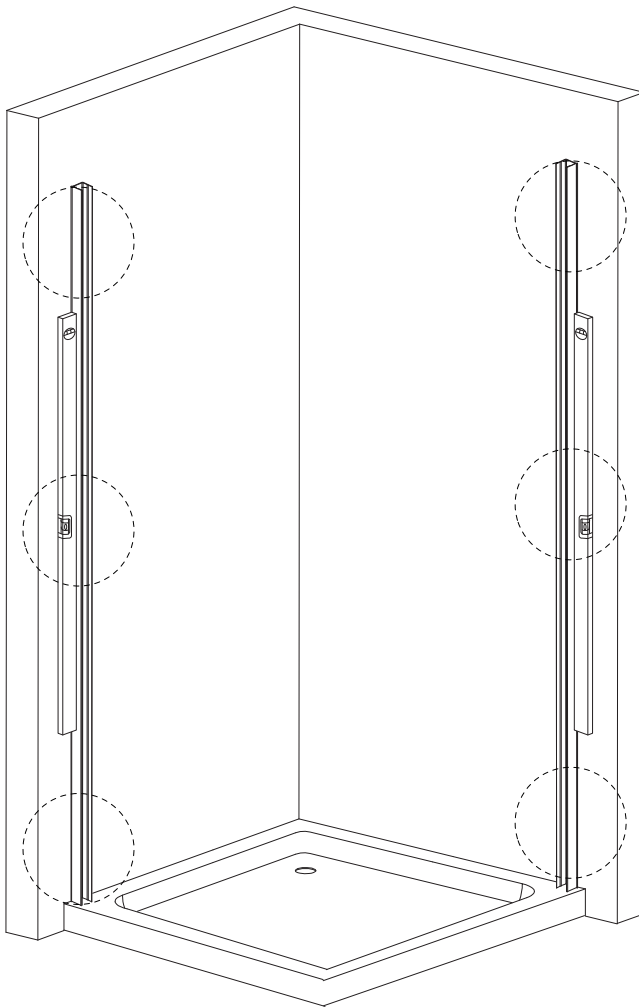
1

2A x 1	2B x 1	9 x 4	H1 x 2	H2 M4 x 8 x 4	F M3.5 x 25 x 8
-----------------------	-----------------------	----------------------	-----------------------	------------------------------------	--------------------------------------

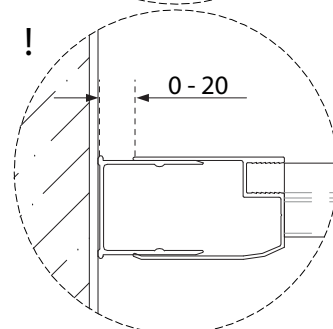
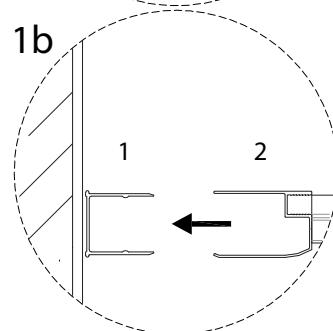
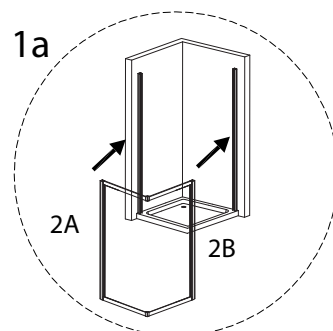
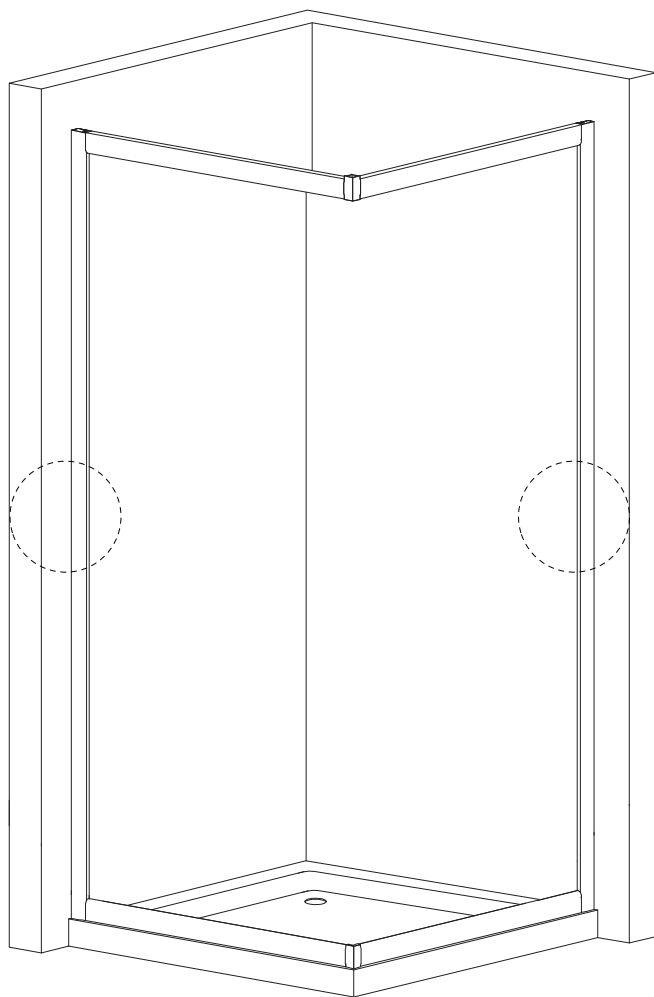


2





 1 x 2	 A1 M4 x 30 x 6	 A2 x 6	 A3 x 6	 A4 x 6
---	---	--	--	--

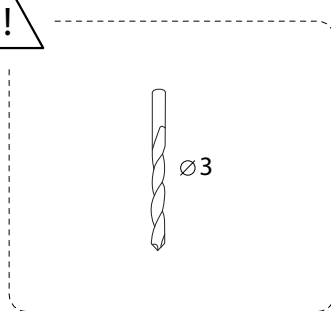
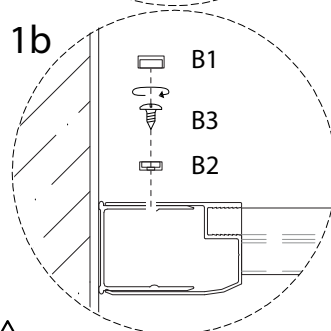
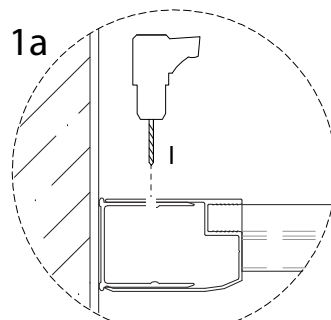
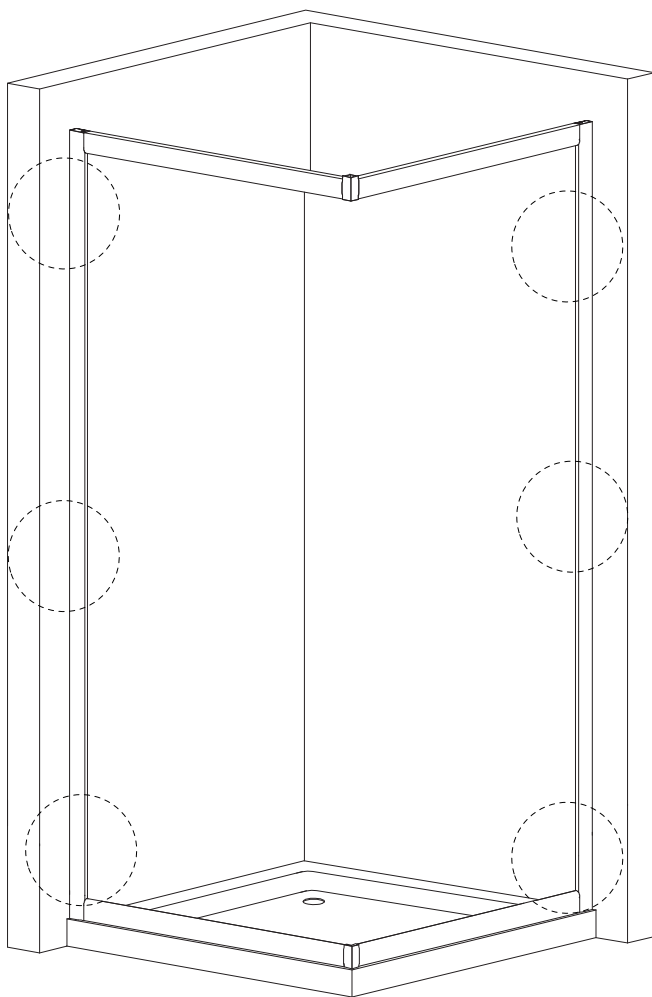


3



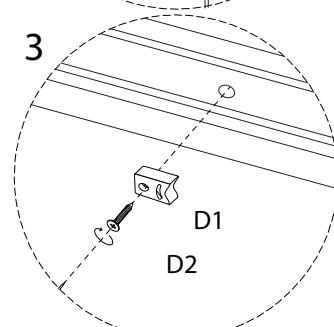
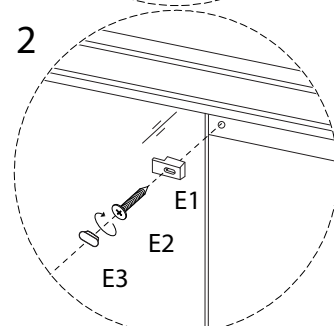
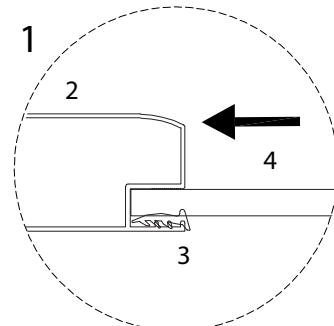
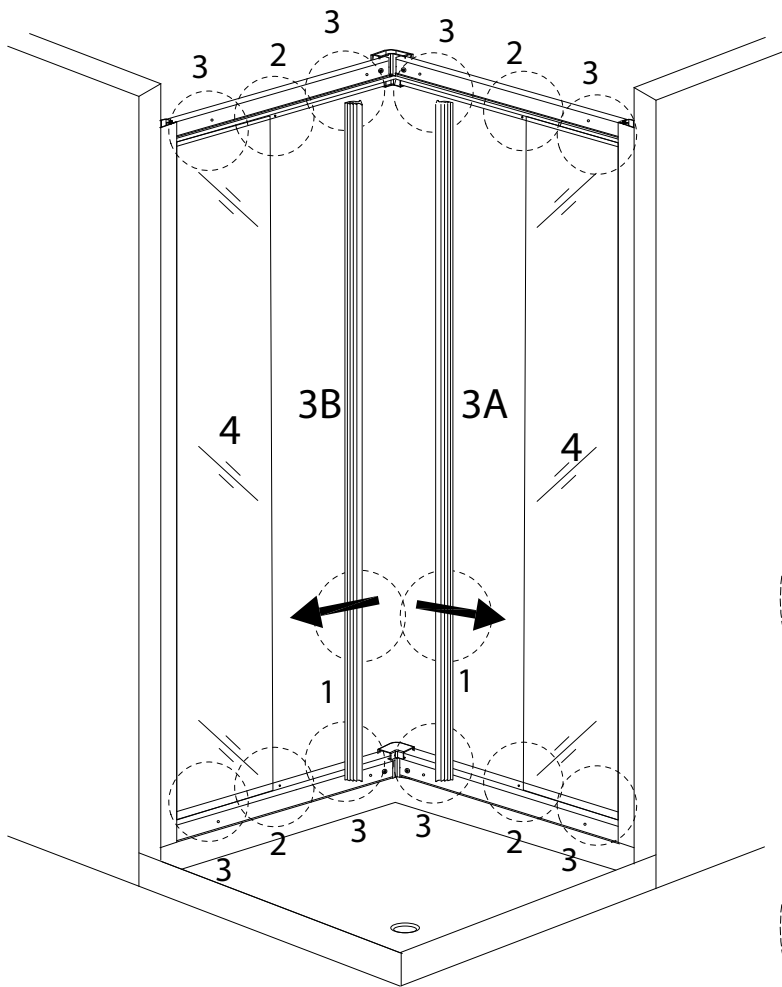
4

B1  x 6	B2  x 6	B3  M4 x 12 x 6	I  Ø3 x 1
---	---	---	--

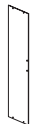


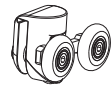



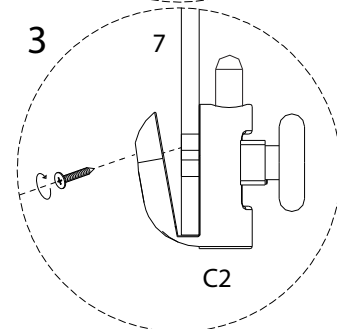
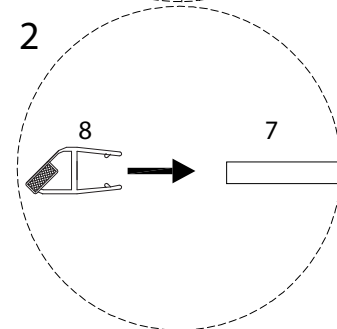
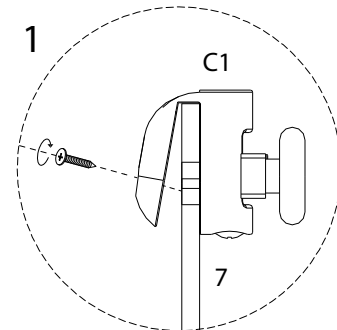
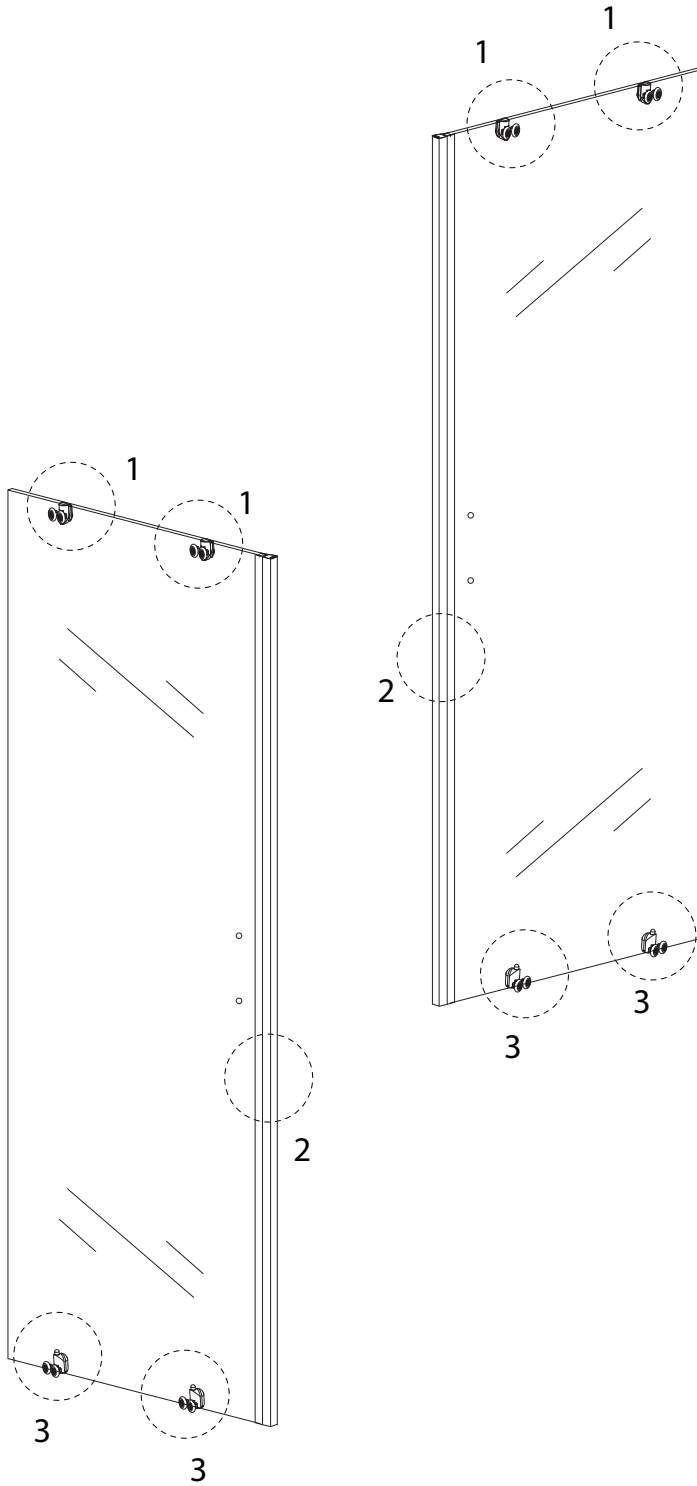
5

<p>3A</p> <p>x 1</p>	<p>3B</p> <p>x 1</p>	<p>4</p> <p>x 2</p>	<p>D1</p> <p>x 8</p>
<p>D2</p> <p>M4 x 10</p> <p>x 8</p>	<p>E1</p> <p>x 4</p>	<p>E2</p> <p>M4 x 10</p> <p>x 4</p>	<p>E3</p> <p>x 4</p>


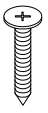
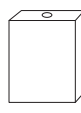
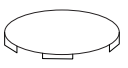


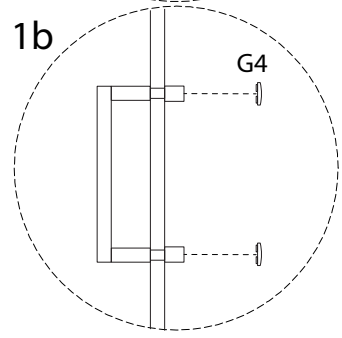
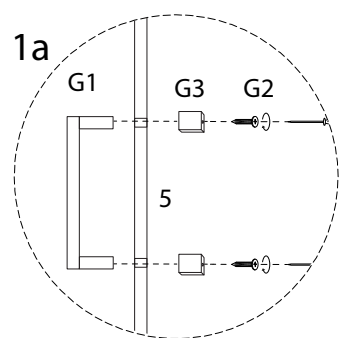
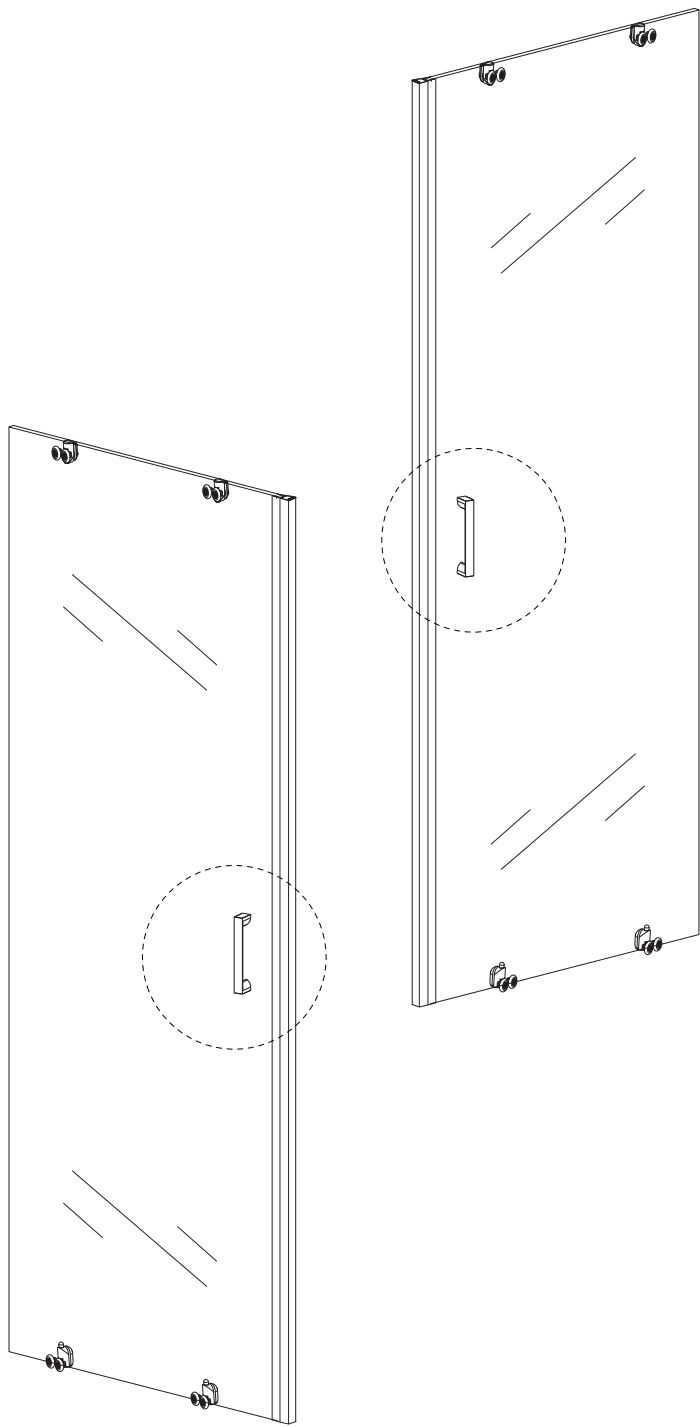
6

<p>7</p>  <p>x 2</p>	<p>8A</p>  <p>x 1</p>	<p>8B</p>  <p>x 1</p>	<p>C1</p>  <p>x 4</p>	<p>C2</p>  <p>x 4</p>
---	--	--	--	--

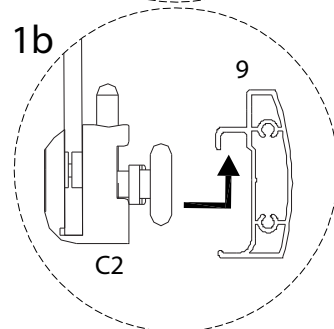
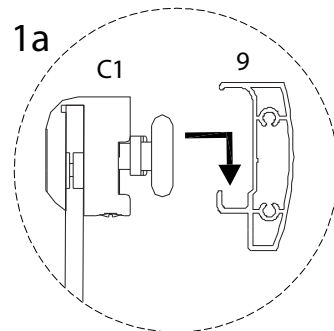
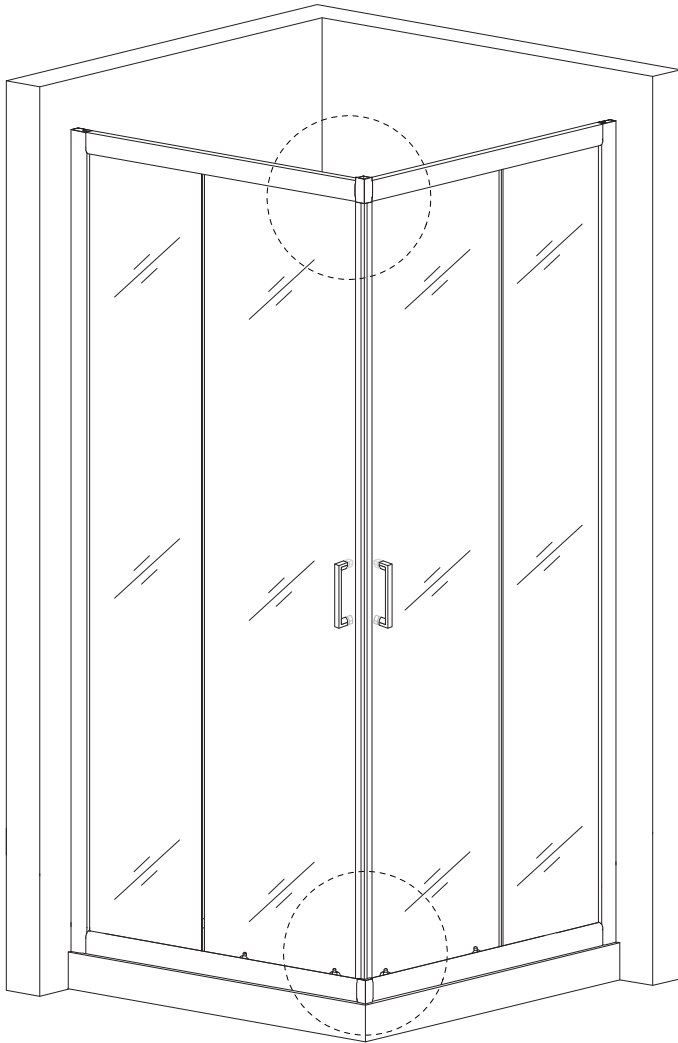


7

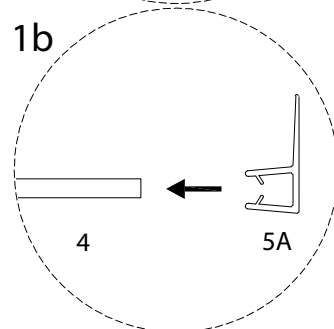
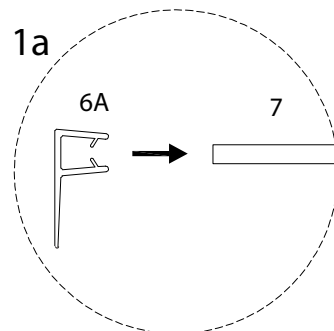
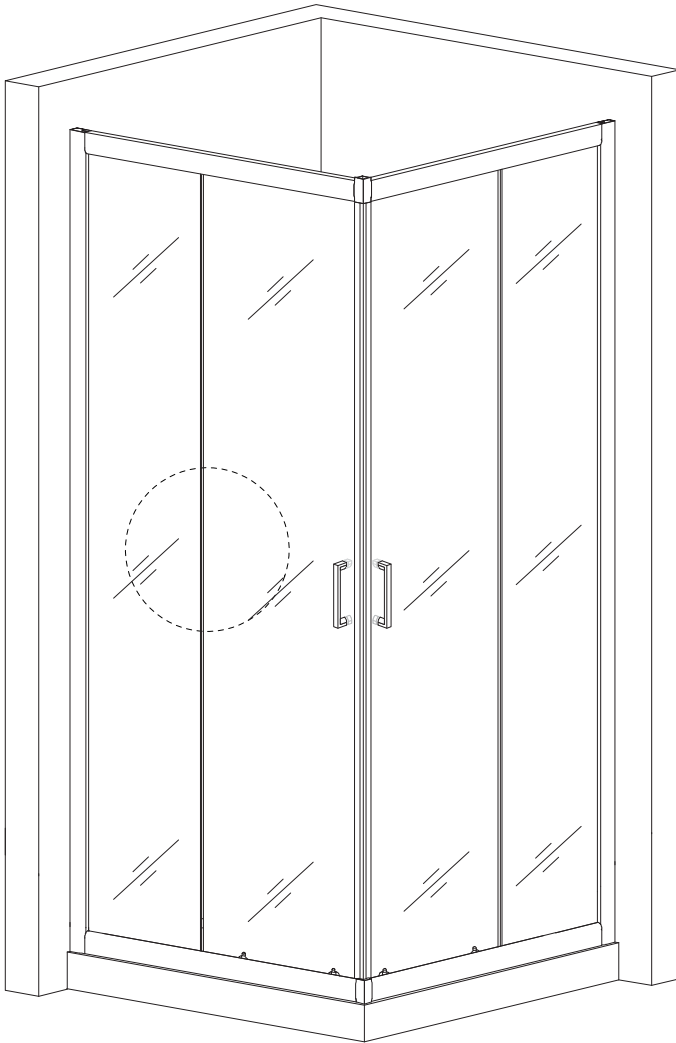
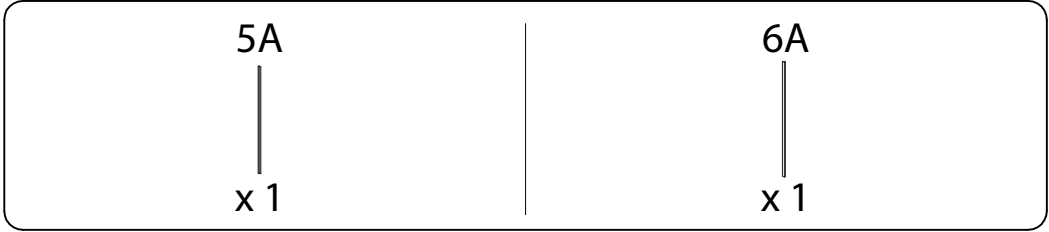
G1  x 2	G2  x 4	G3  x 4	G4  x 4
---	---	--	---



8



9



10

5B

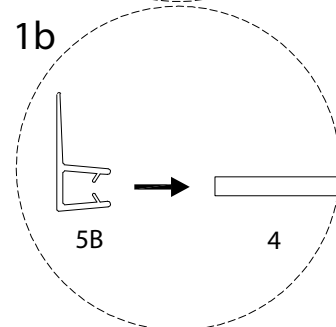
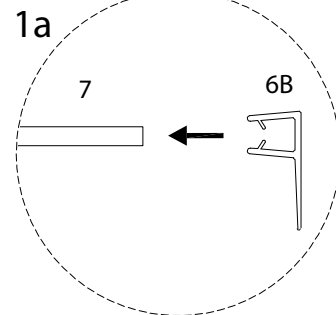
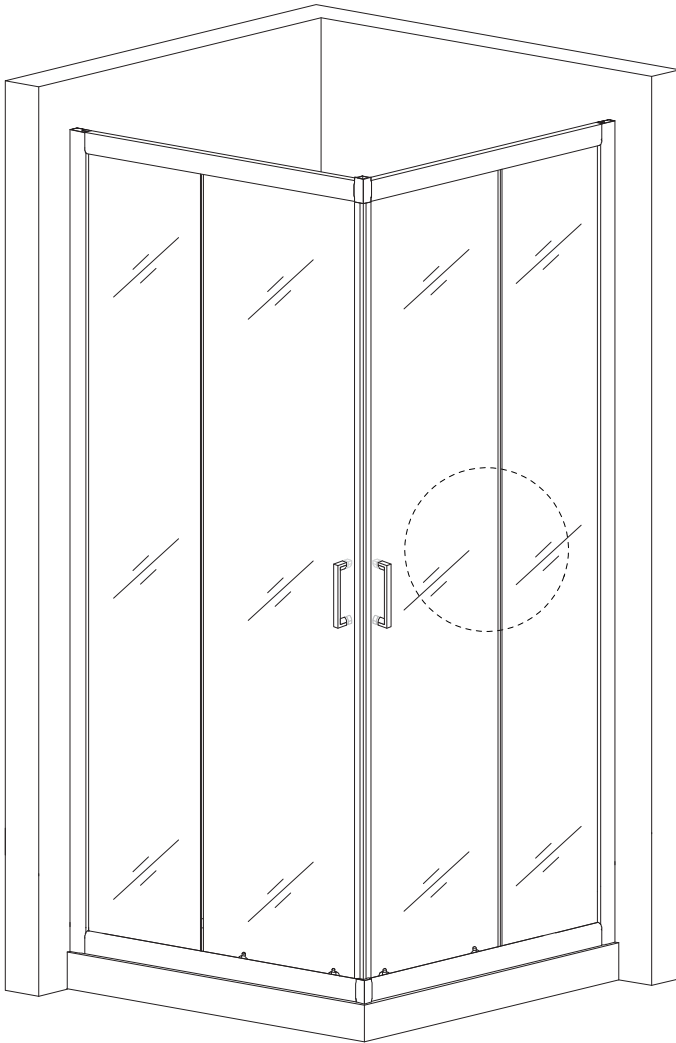


x 1

6B



x 1



11

