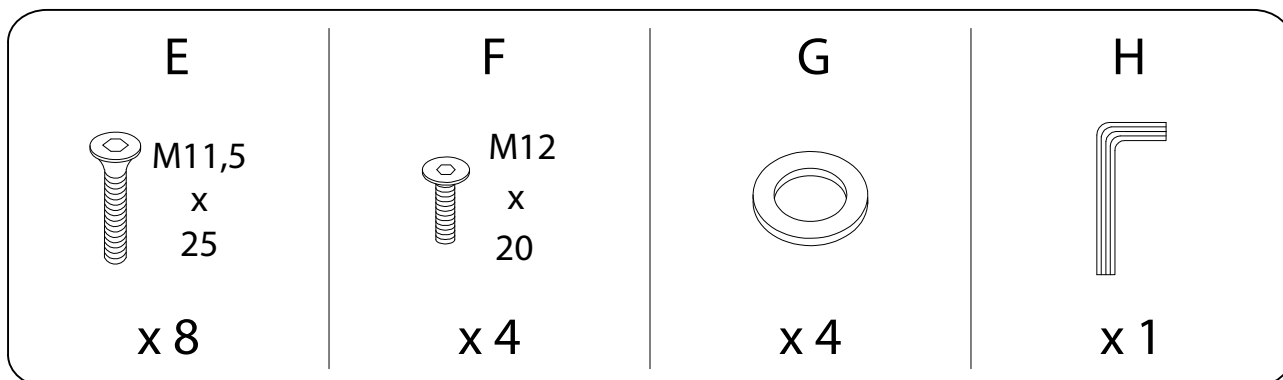
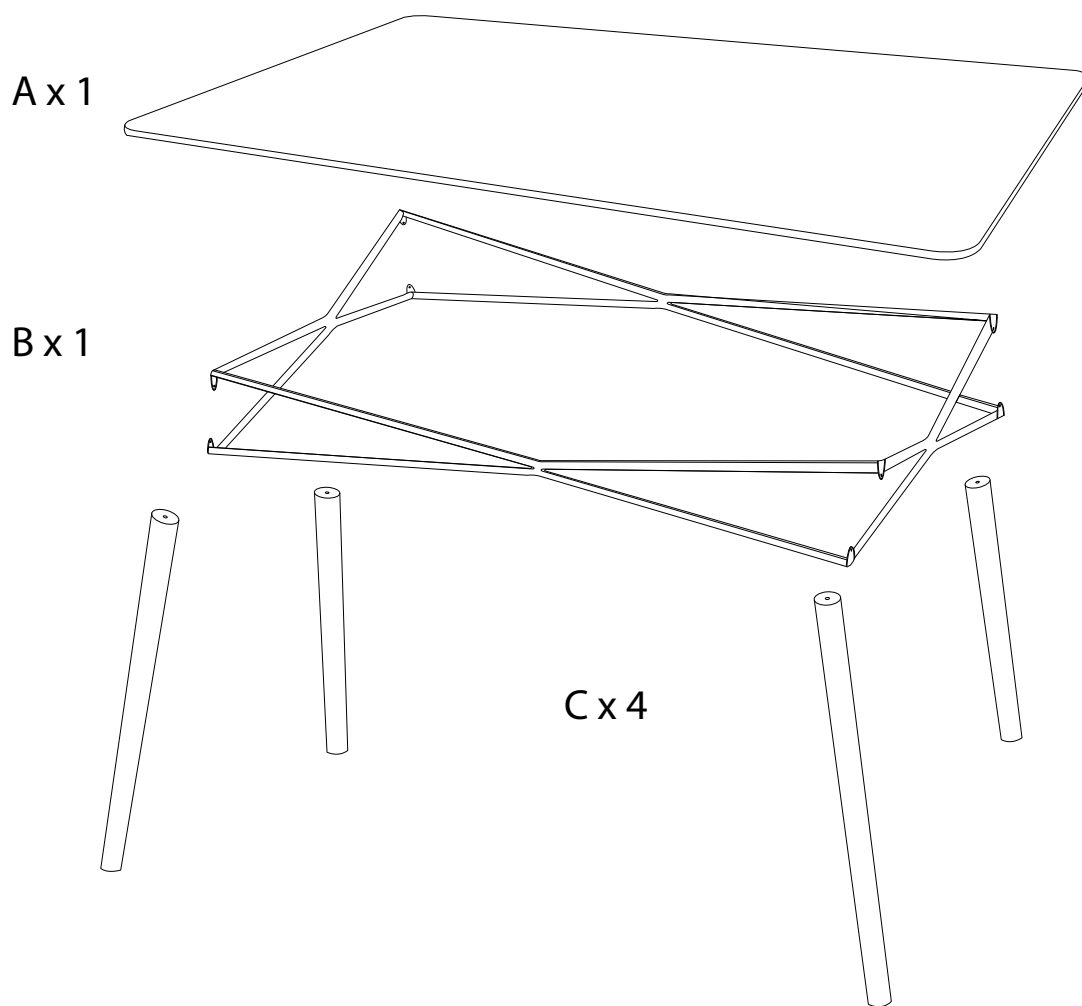
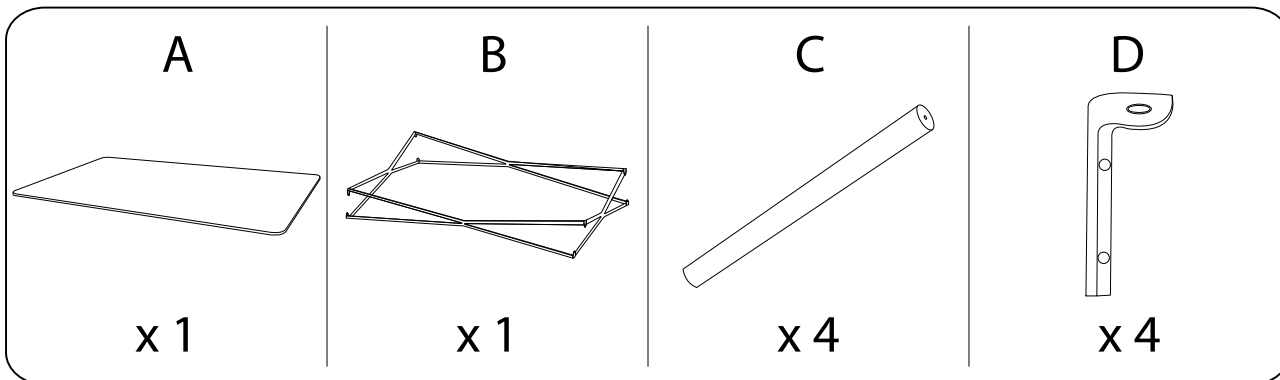
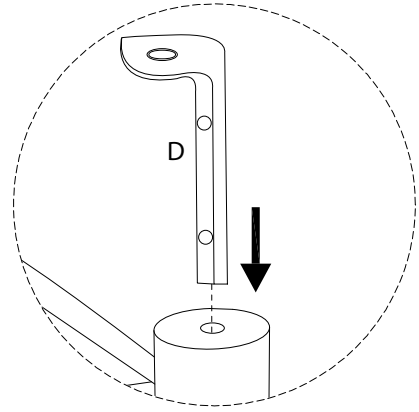
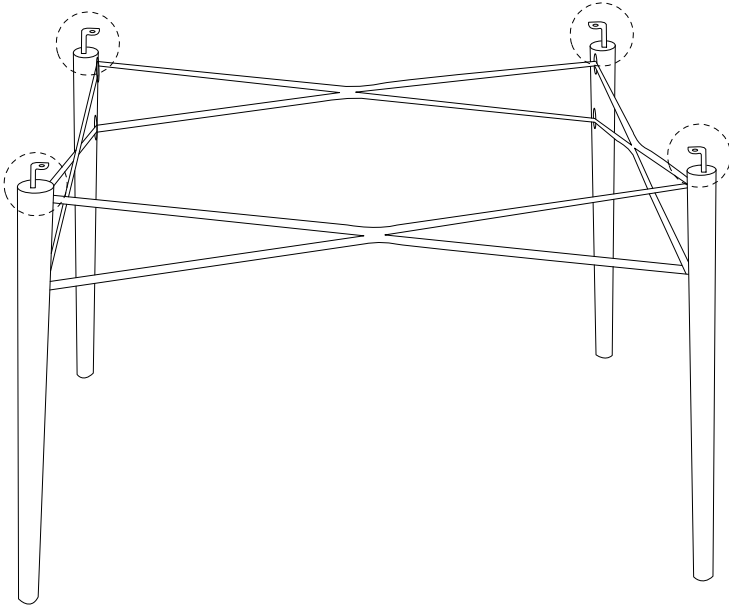
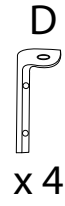


Diagram illustrating assembly instructions and safety warnings:

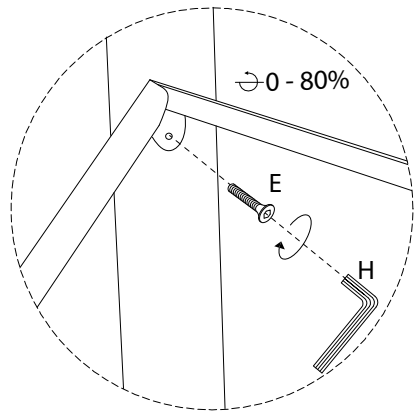
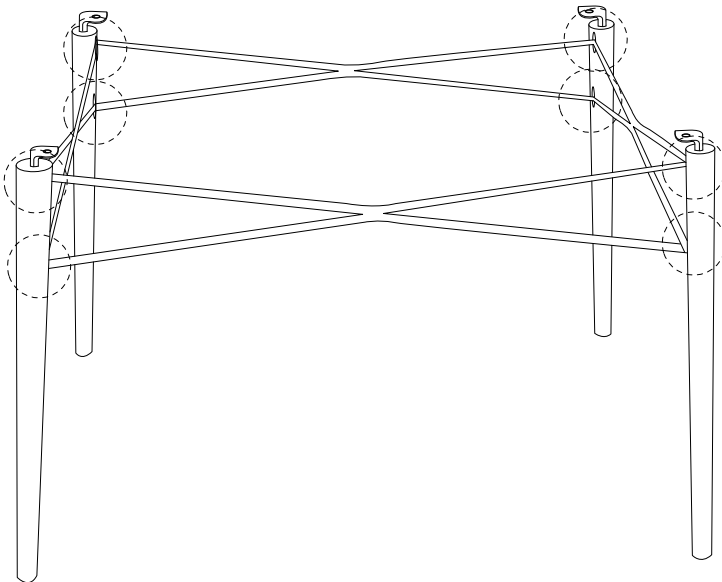
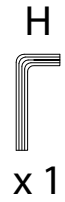
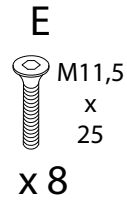
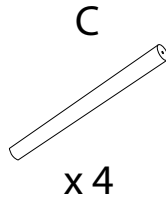
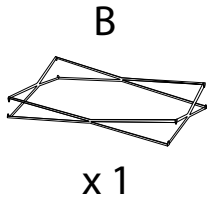
- Warning 1:** A warning triangle with an exclamation mark is positioned above a box containing an L-shaped bracket and a crossed-out power drill, indicating that a power drill should not be used for this step.
- Warning 2:** A second warning triangle with an exclamation mark is positioned above a box containing a rectangular block being placed on a surface and a crossed-out diagram of the block being inserted into a hole, indicating a specific placement instruction.
- Time:** A clock icon is shown next to the text "30'", indicating a 30-minute assembly time.
- Person:** An icon of a person is shown next to the number "1", indicating that one person is required for assembly.



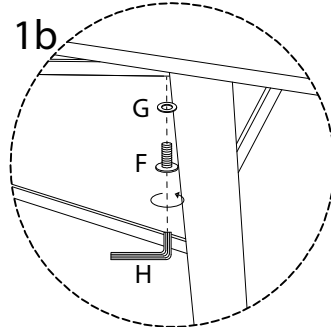
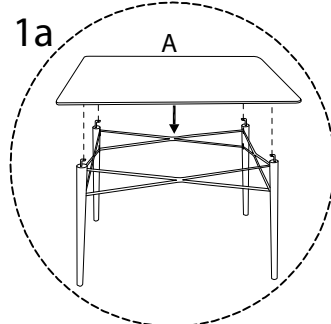
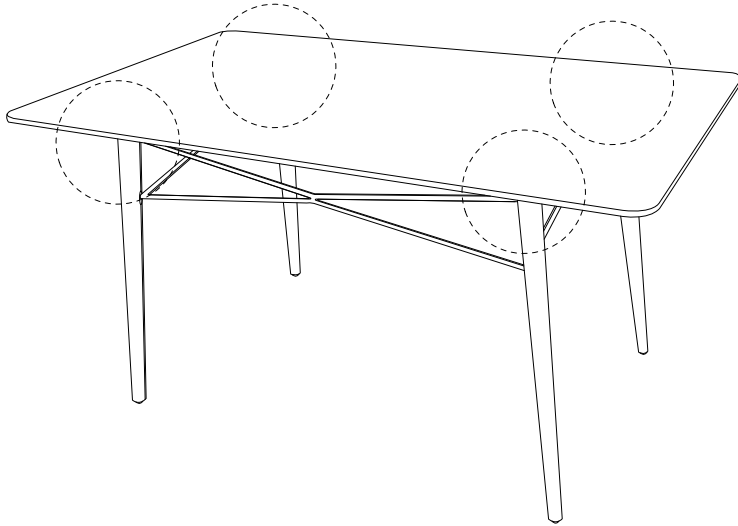
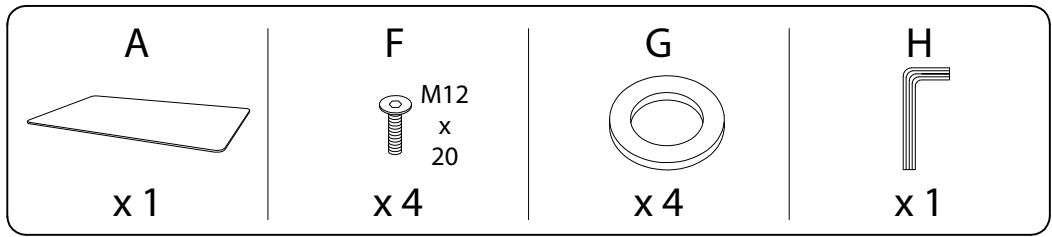
1



2



3



4

