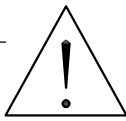
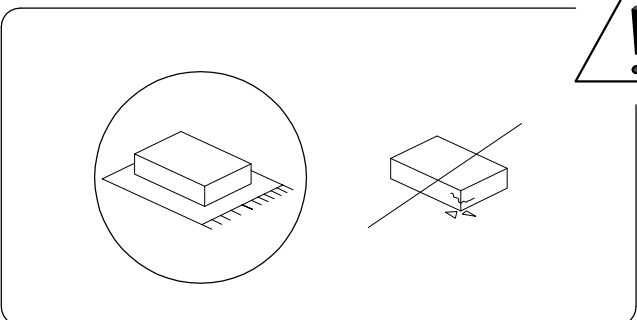
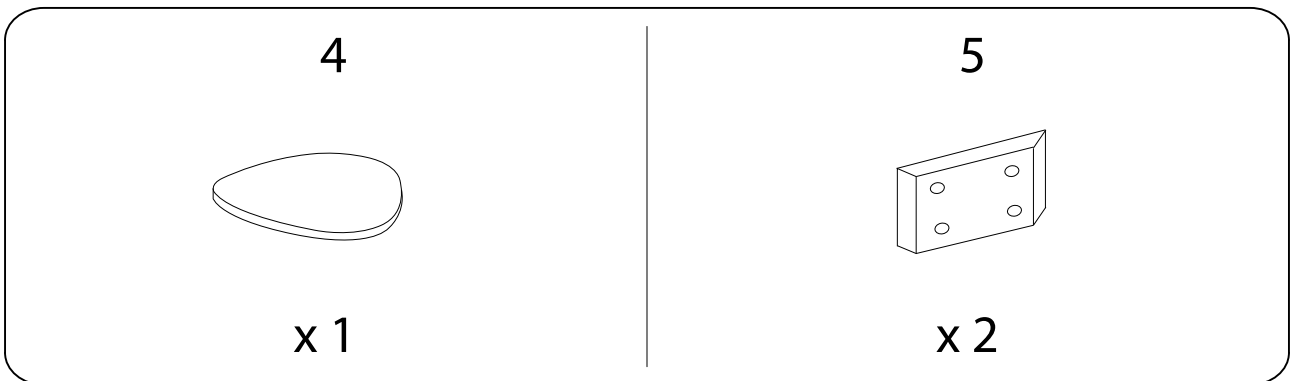
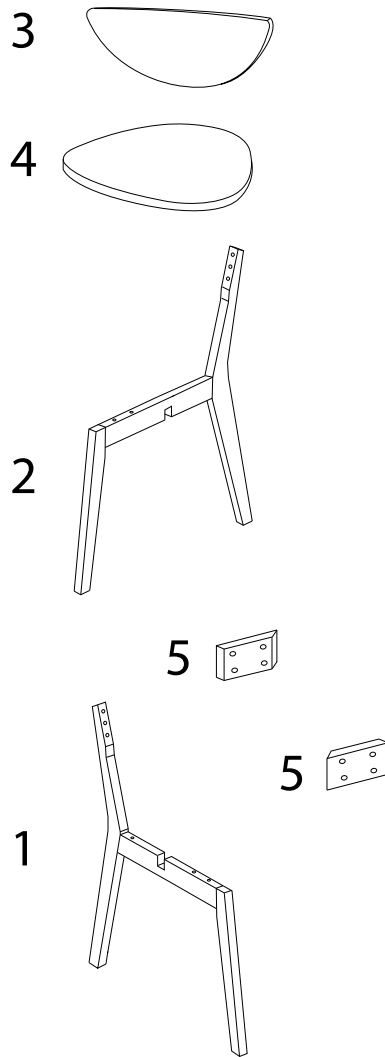
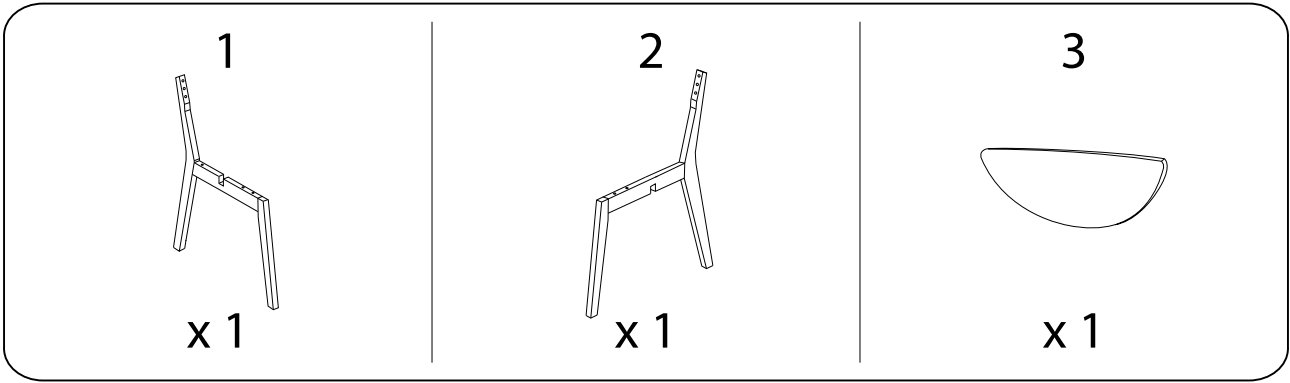


60'

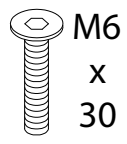


1

1/6

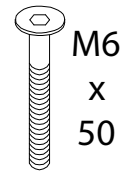


A



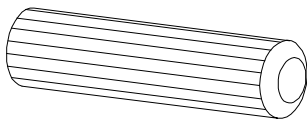
x 4

B



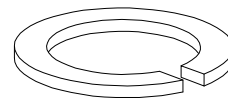
x 4

C



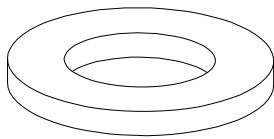
x 4

D



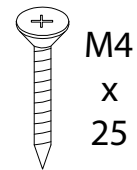
x 8

E



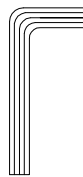
x 8

F



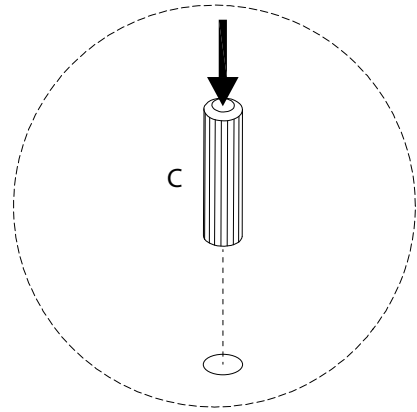
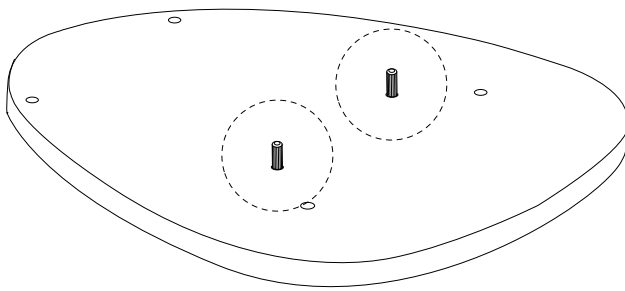
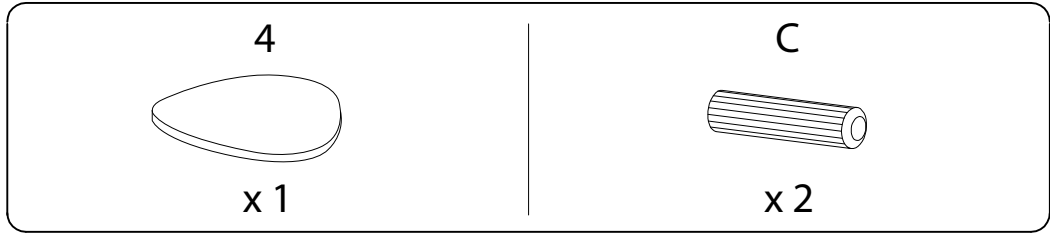
x 8

G

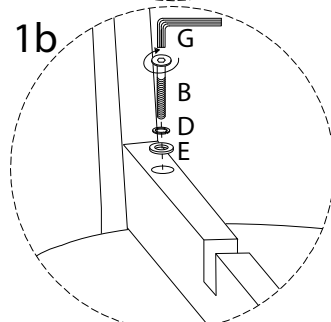
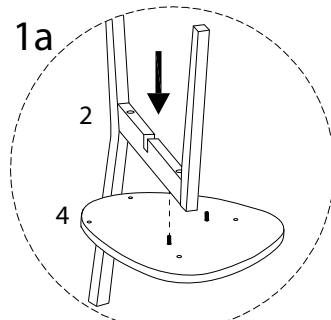
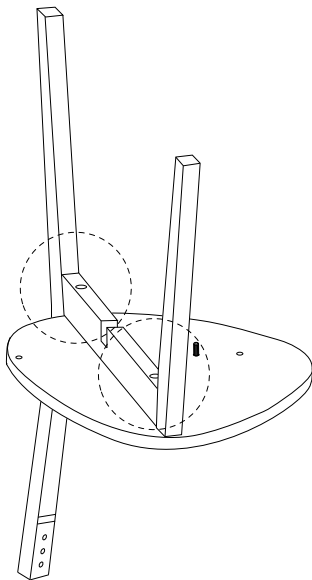
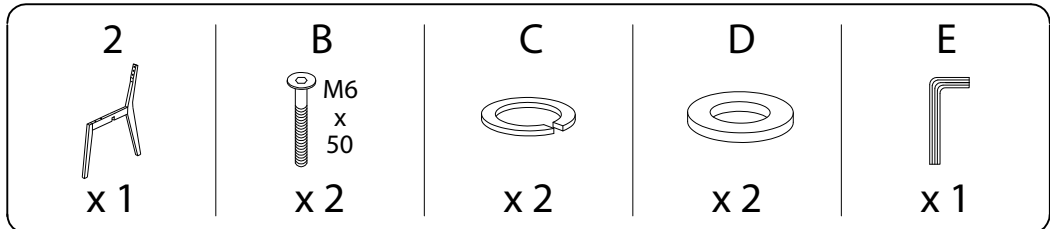


x 1

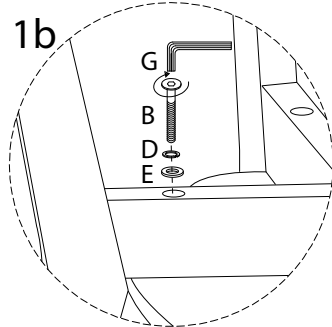
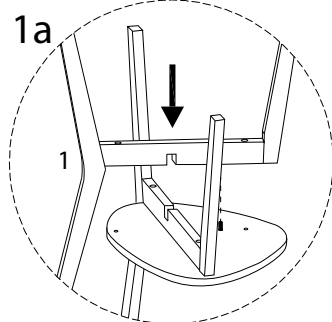
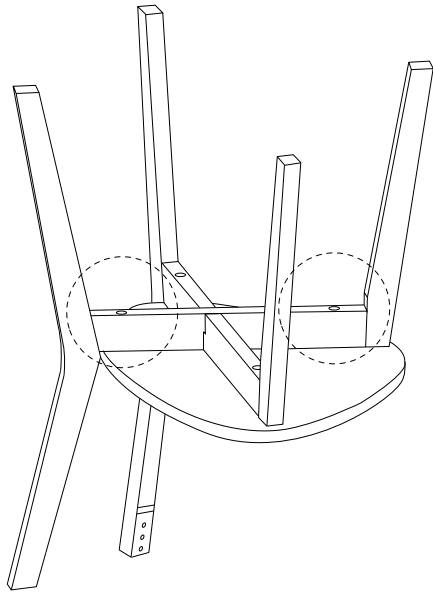
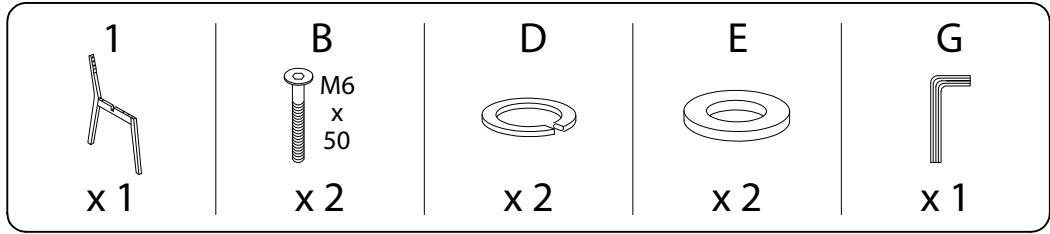
1



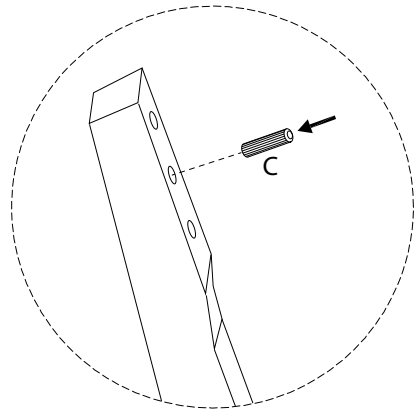
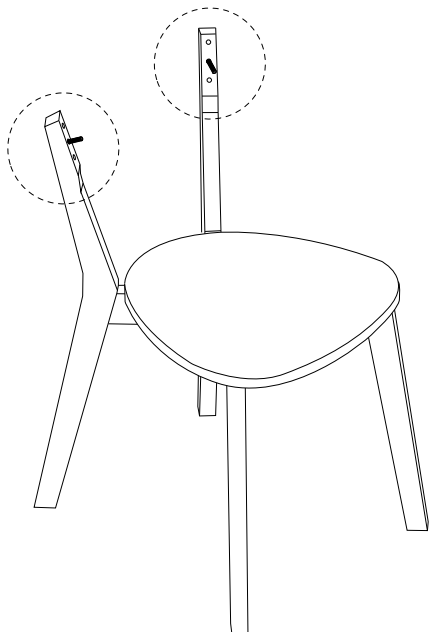
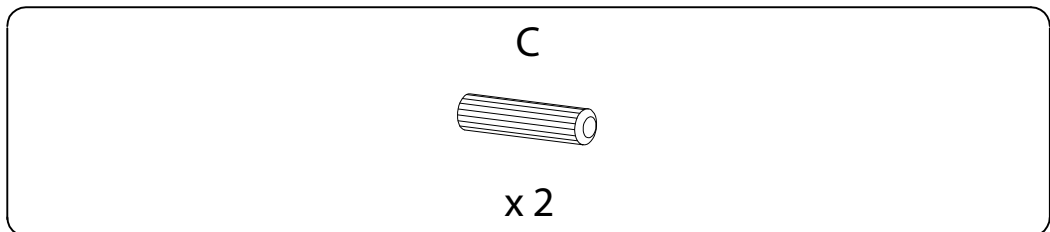
2



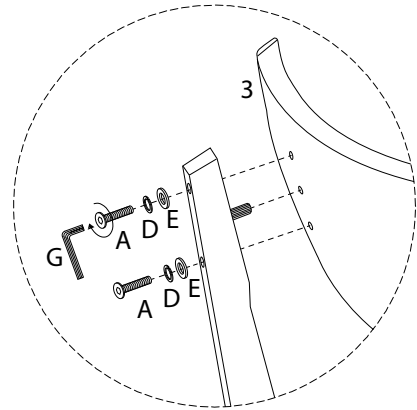
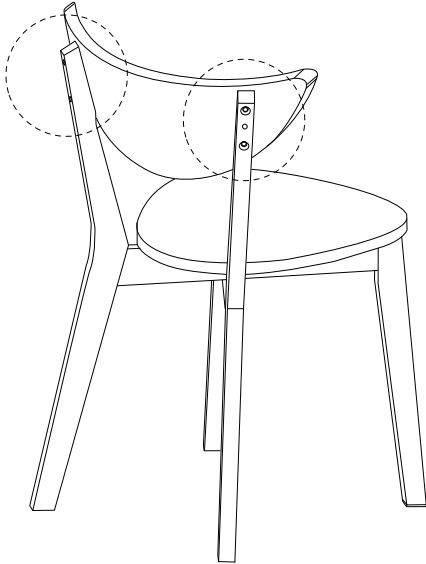
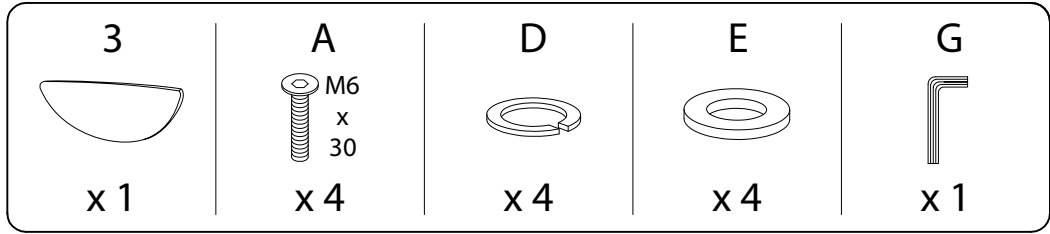
3



4



5



6

