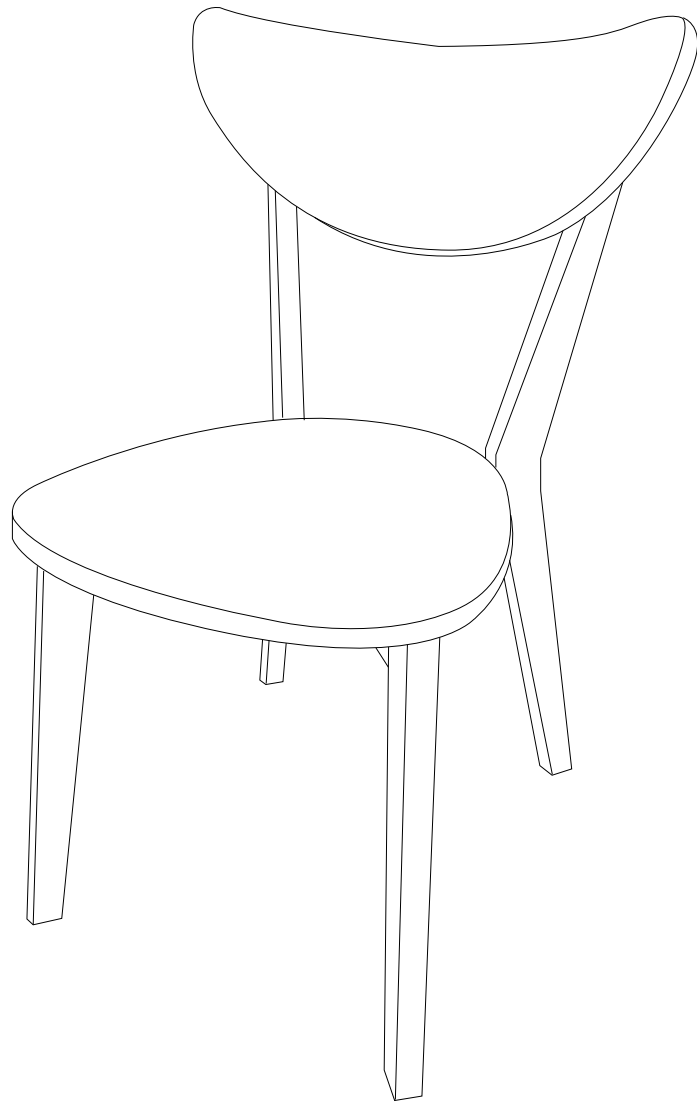
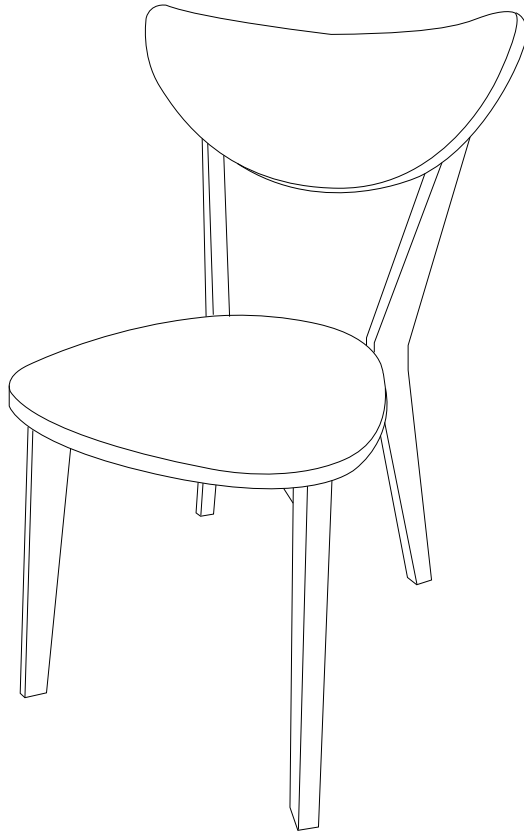
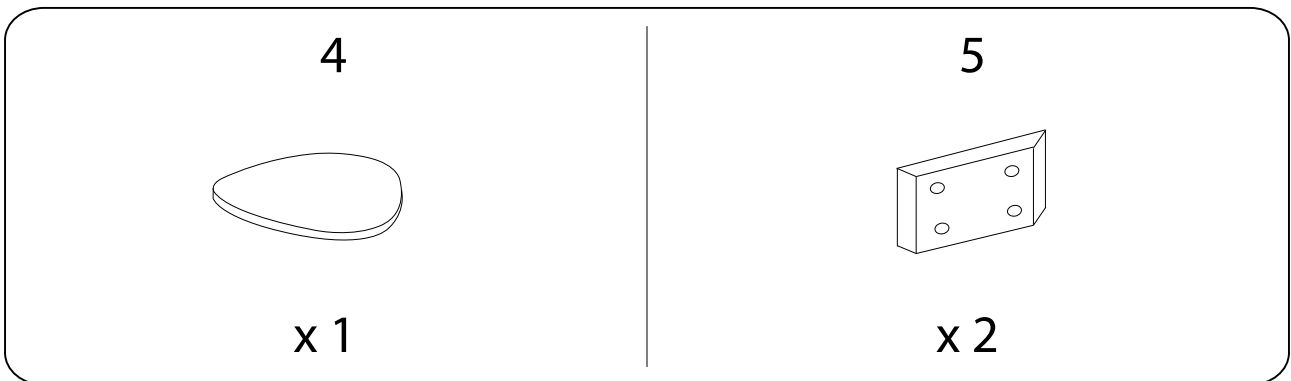
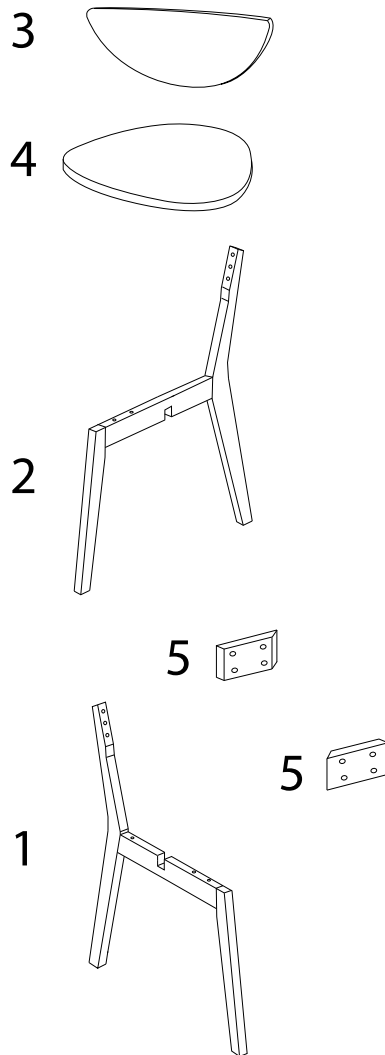
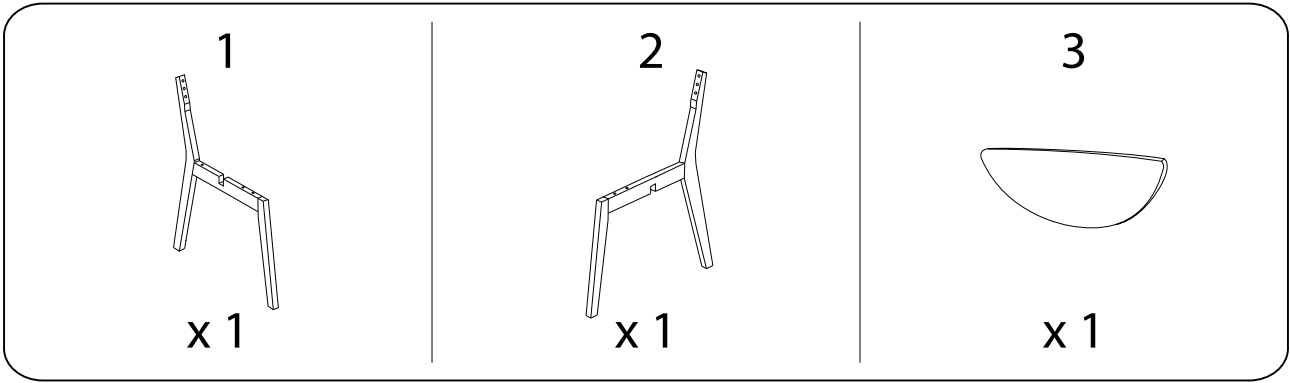


# ROXBY

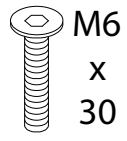




		<b>60'</b>
		<b>1</b>

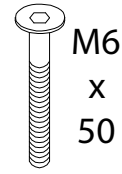


A



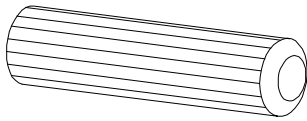
x 4

B



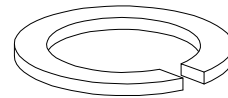
x 4

C



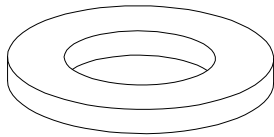
x 4

D



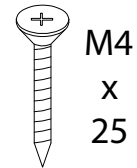
x 8

E



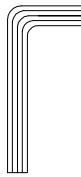
x 8

F



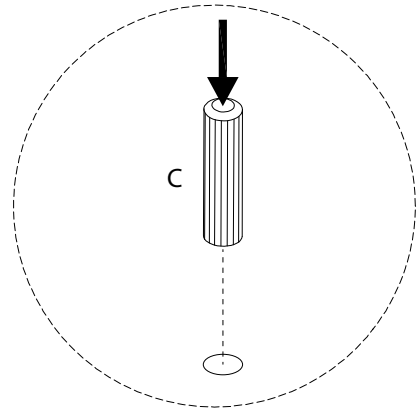
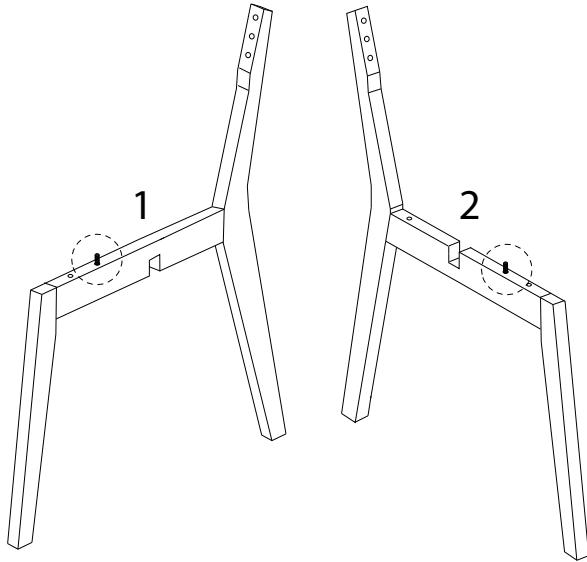
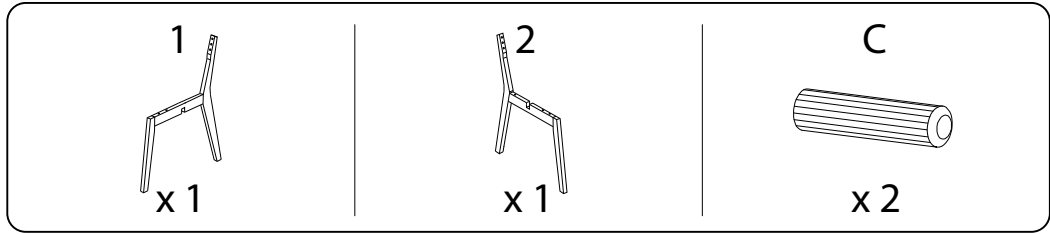
x 8

G

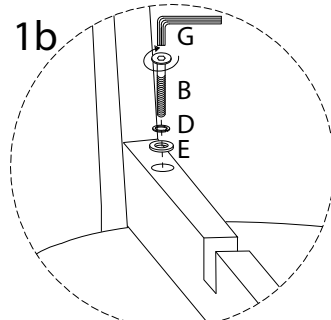
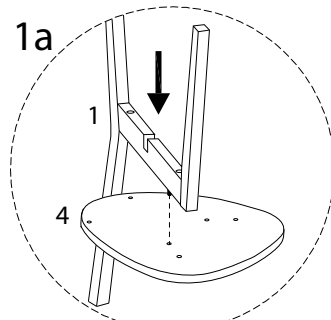
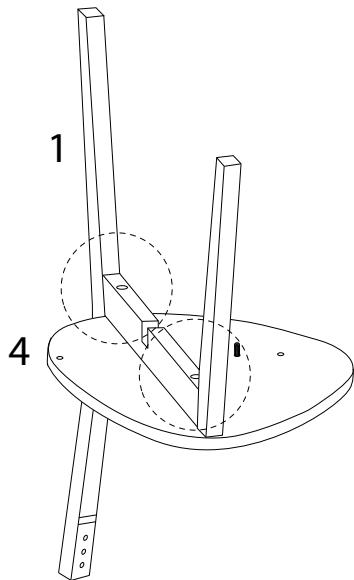
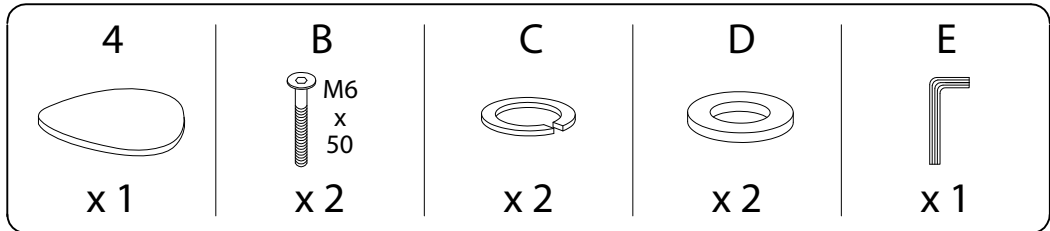


x 1

1



2



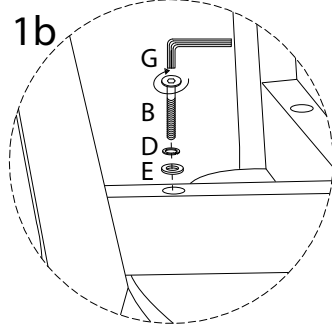
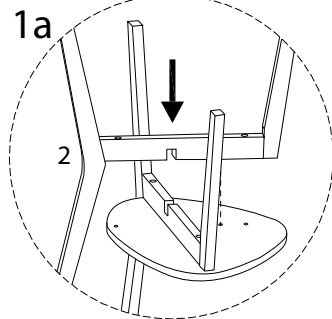
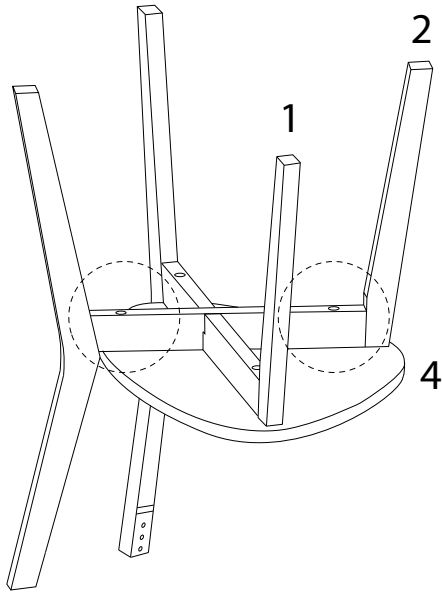
3

**B**  
M6  
x  
50  
x 2

**D**  
x 2

**E**  
x 2

**G**  
x 1

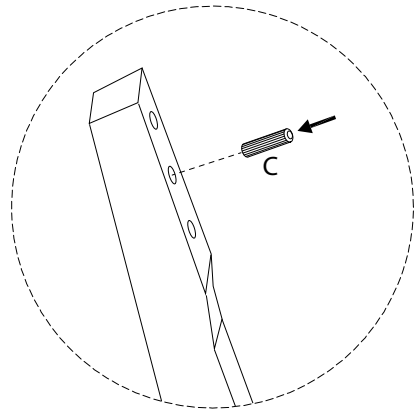
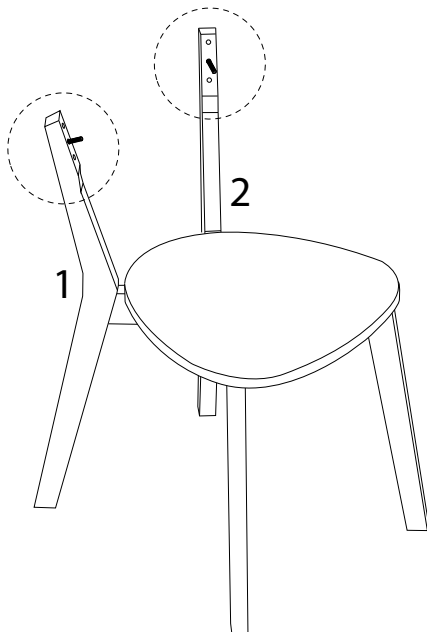


4

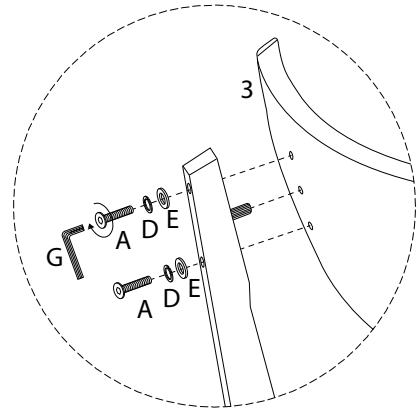
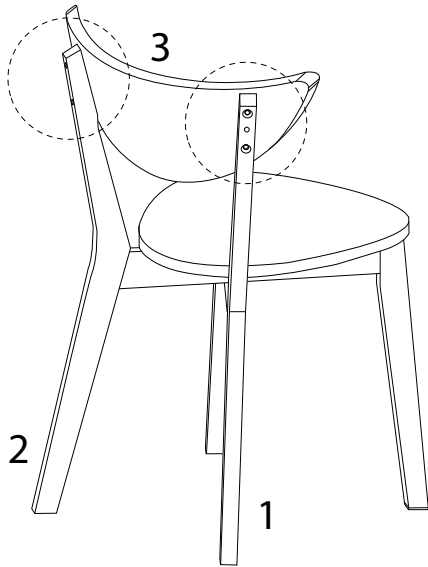
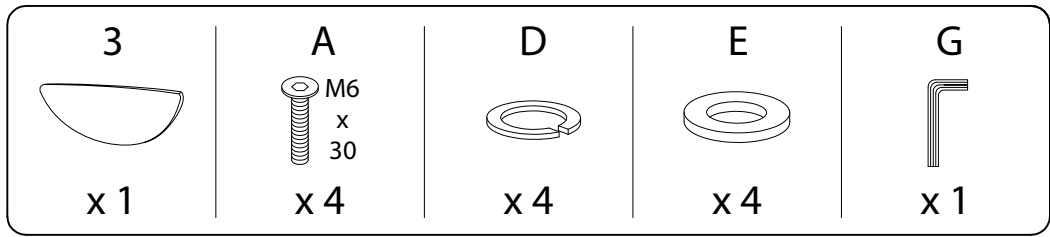
**C**



x 2



5



6

