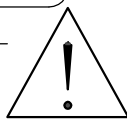
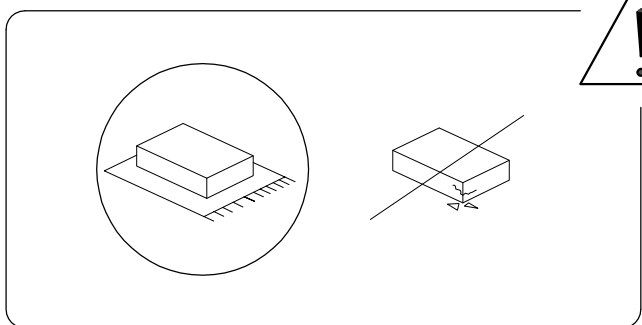
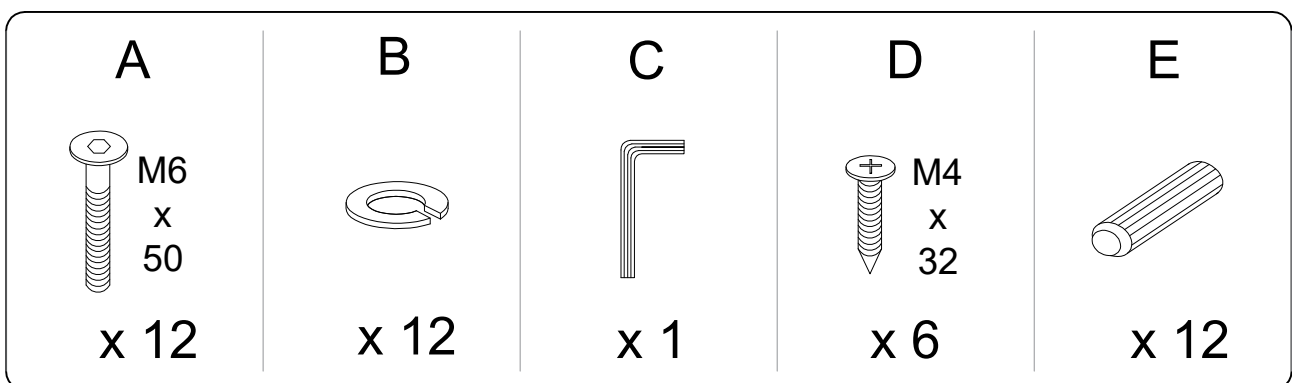
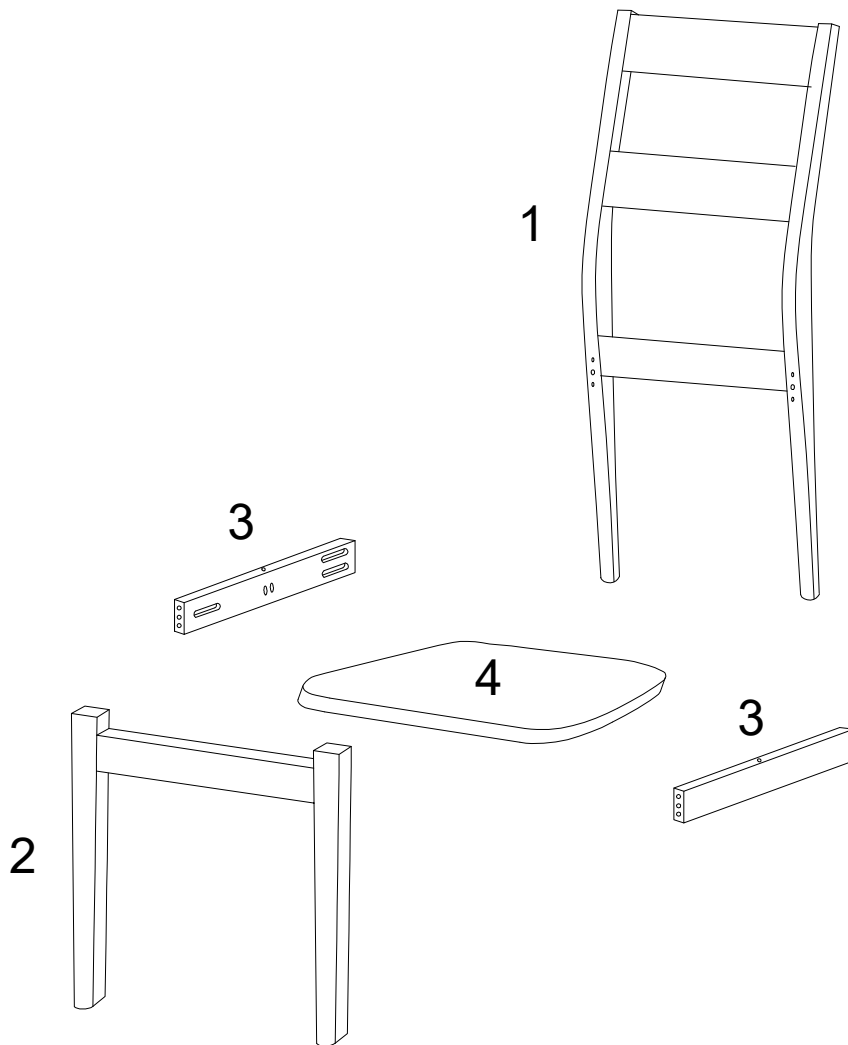
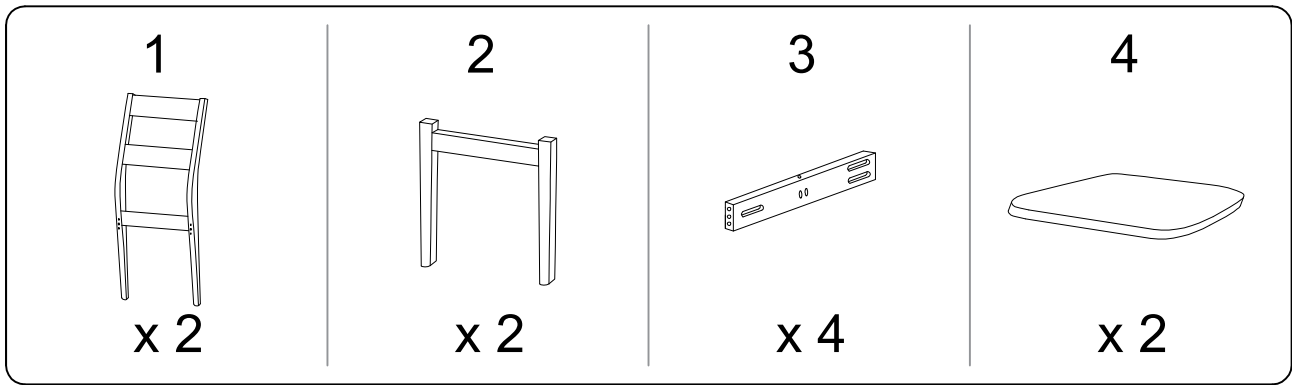


30'



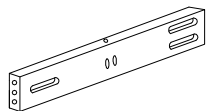
1

1/4



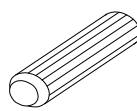
1

3

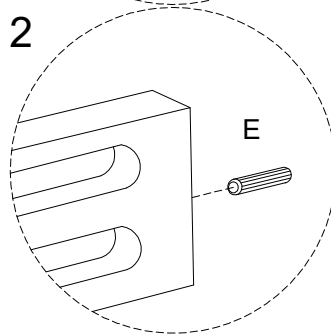
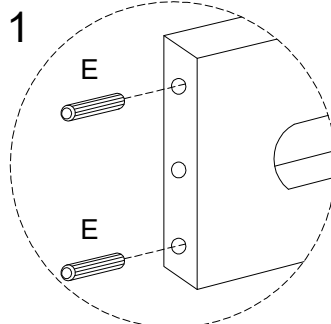
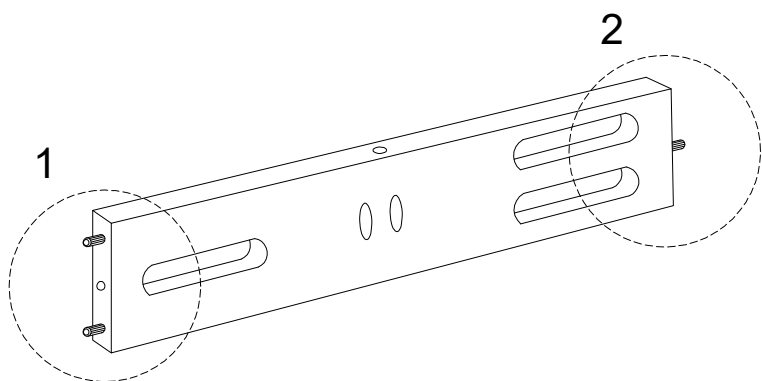


x 2

E



x 6



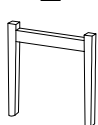
2

1



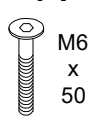
x 1

2



x 1

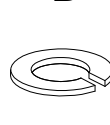
A



M6
x
50

x 6

B

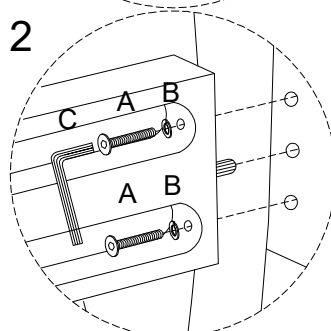
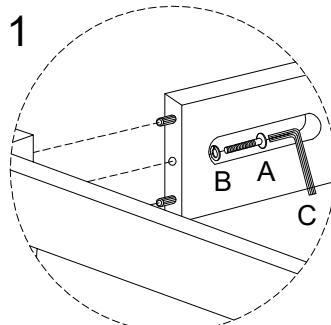
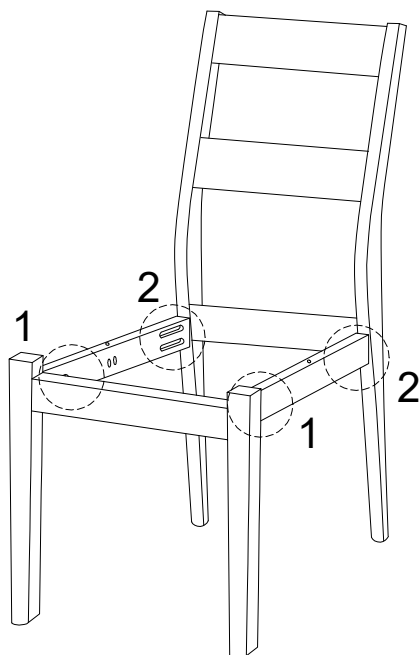


x 6

C



x 1



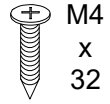
3

4



x 1

D



x 3

