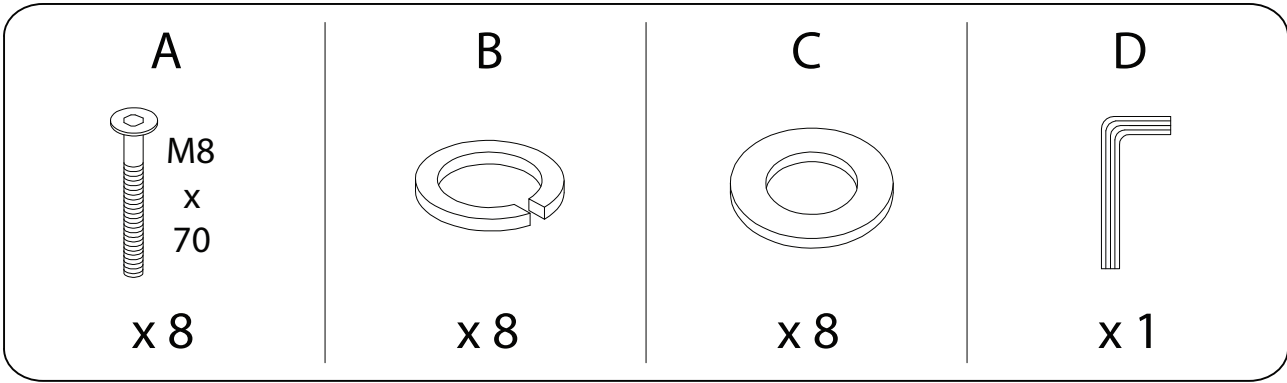
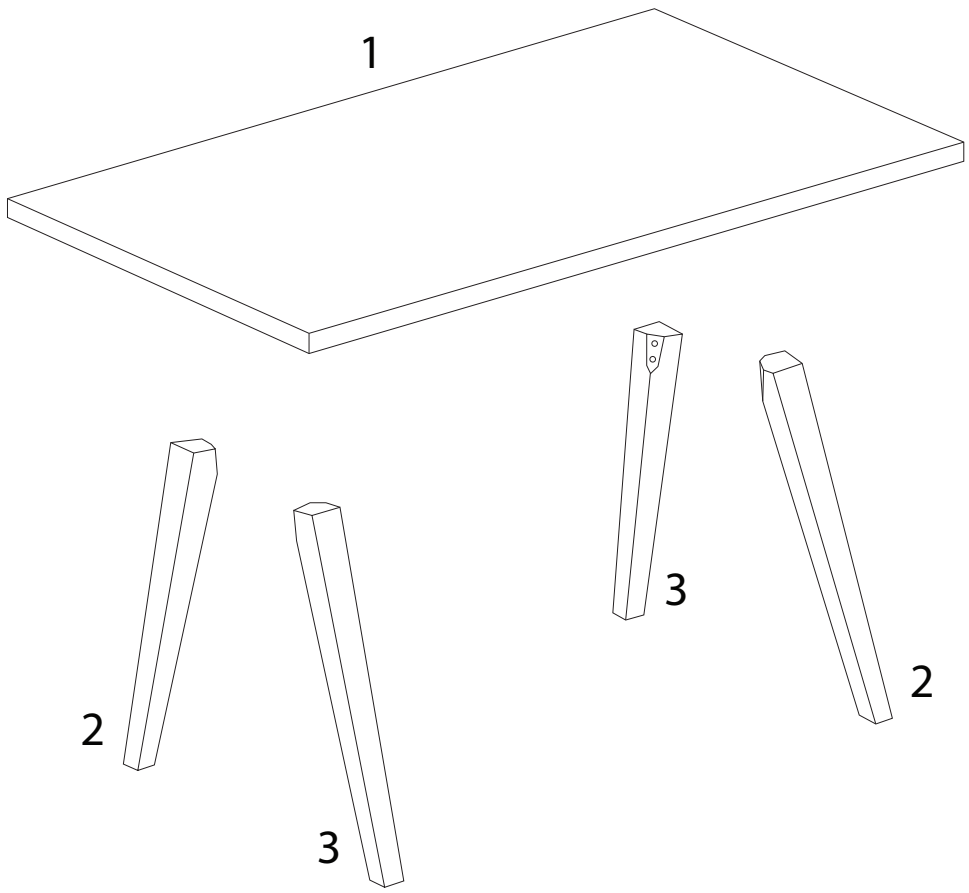
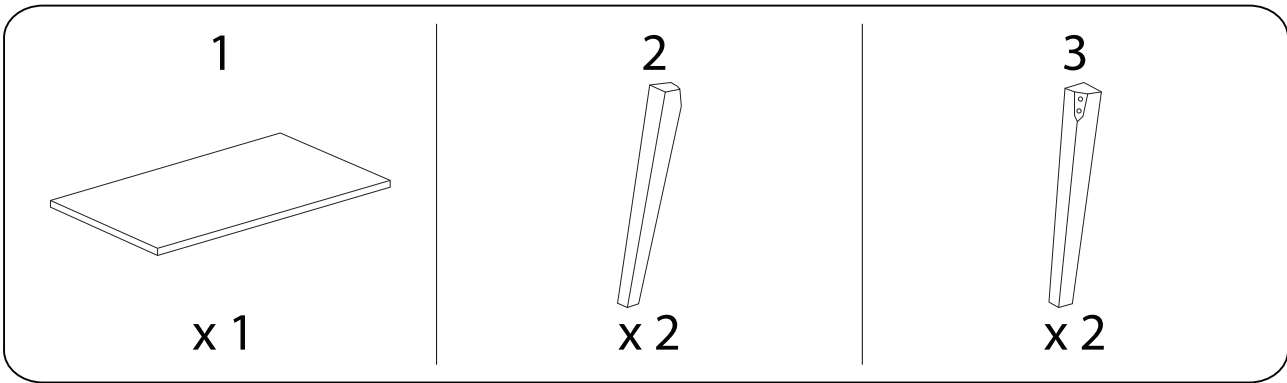
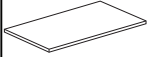


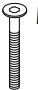
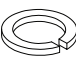

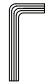


Diagram illustrating assembly steps and safety warnings:

- Step 1:** Shows an L-shaped bracket being inserted into a hole in the table leg. A power drill is shown with a slash through it, indicating that a power drill should not be used for this step. A warning triangle with an exclamation mark is positioned to the right.
- Step 2:** Shows a rectangular block being placed on a surface. A power drill is shown with a slash through it, indicating that a power drill should not be used for this step. A warning triangle with an exclamation mark is positioned to the right.
- Time:** A clock icon is shown, indicating a time requirement of **20'**.
- Personnel:** A person icon is shown, indicating that **2** people are required for assembly.



1

1	2	3	A	B	C	D
			 M8 x 70			
x 1	x 2	x 2	x 8	x 8	x 8	x 1

