

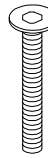
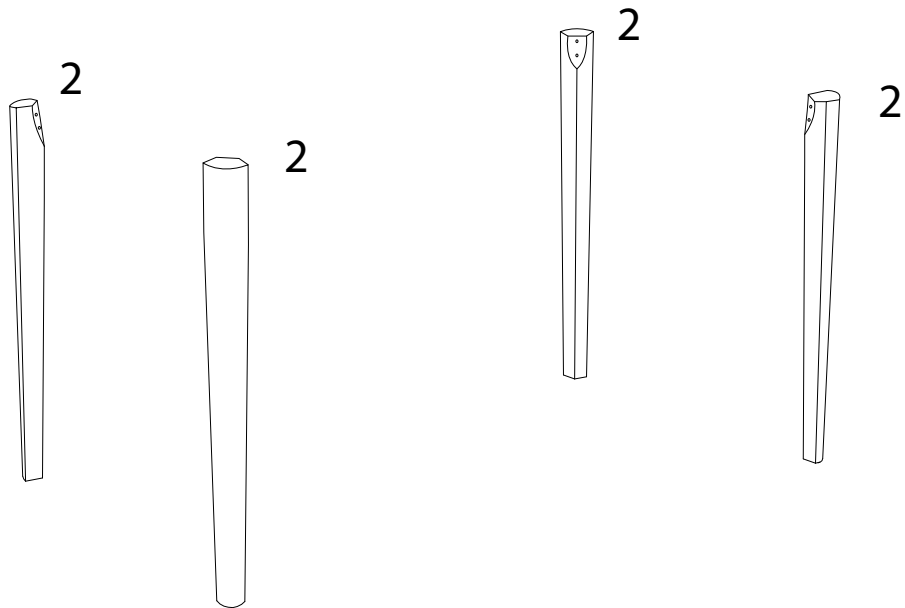
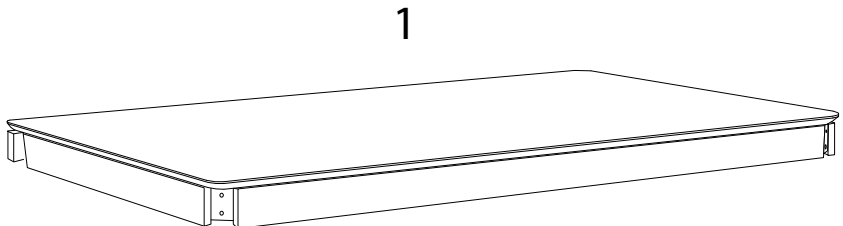
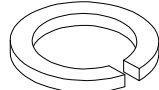
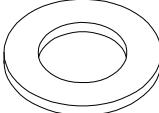
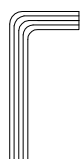


Diagram illustrating assembly instructions and safety warnings:



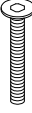



- Warning 1:** A triangle with an exclamation mark. Below it, a box contains an icon of an L-shaped bracket and a crossed-out power drill, indicating that a power drill should not be used for this step.
- Warning 2:** A triangle with an exclamation mark. Below it, a box contains an icon of a rectangular block being placed on a surface and a crossed-out icon of a block being lifted, indicating that the block should be placed on a soft surface and not lifted.
- Time:** A clock icon with the text "20'" below it, indicating a 20-minute assembly time.
- Person:** An icon of a person with the text "1" below it, indicating that one person is required for assembly.

<p>1</p>  <p>x 1</p>	<p>2</p>  <p>x 4</p>	<p>A1</p>  <p>M8 x 70</p> <p>x 8</p>
---	---	---



<p>A2</p>  <p>x 8</p>	<p>A3</p>  <p>x 8</p>	<p>B</p>  <p>x 1</p>
--	--	---

1

<p>1</p>  <p>x 1</p>	<p>2</p>  <p>x 4</p>	<p>A1</p>  <p>M8 x 70</p> <p>x 8</p>	<p>A2</p>  <p>x 8</p>	<p>A3</p>  <p>x 8</p>	<p>B</p>  <p>x 1</p>
---	---	---	---	--	---

