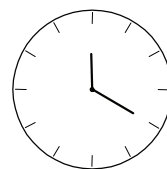
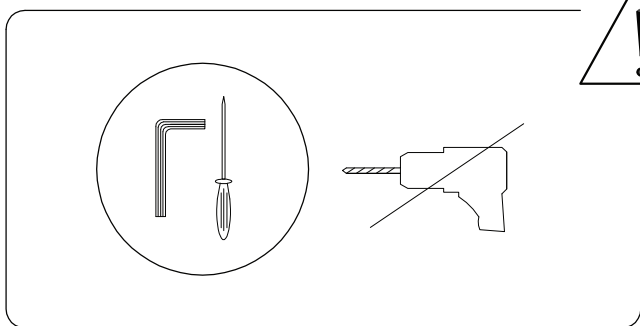
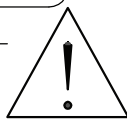
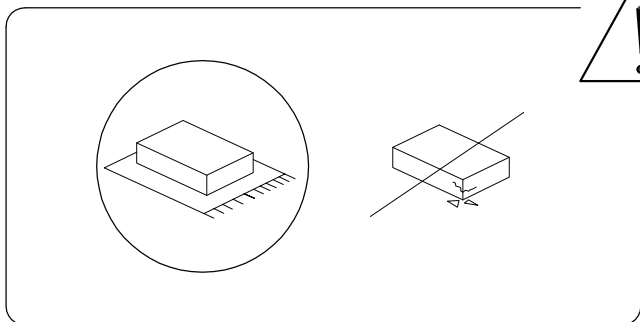


LYNN








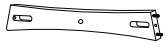
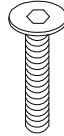


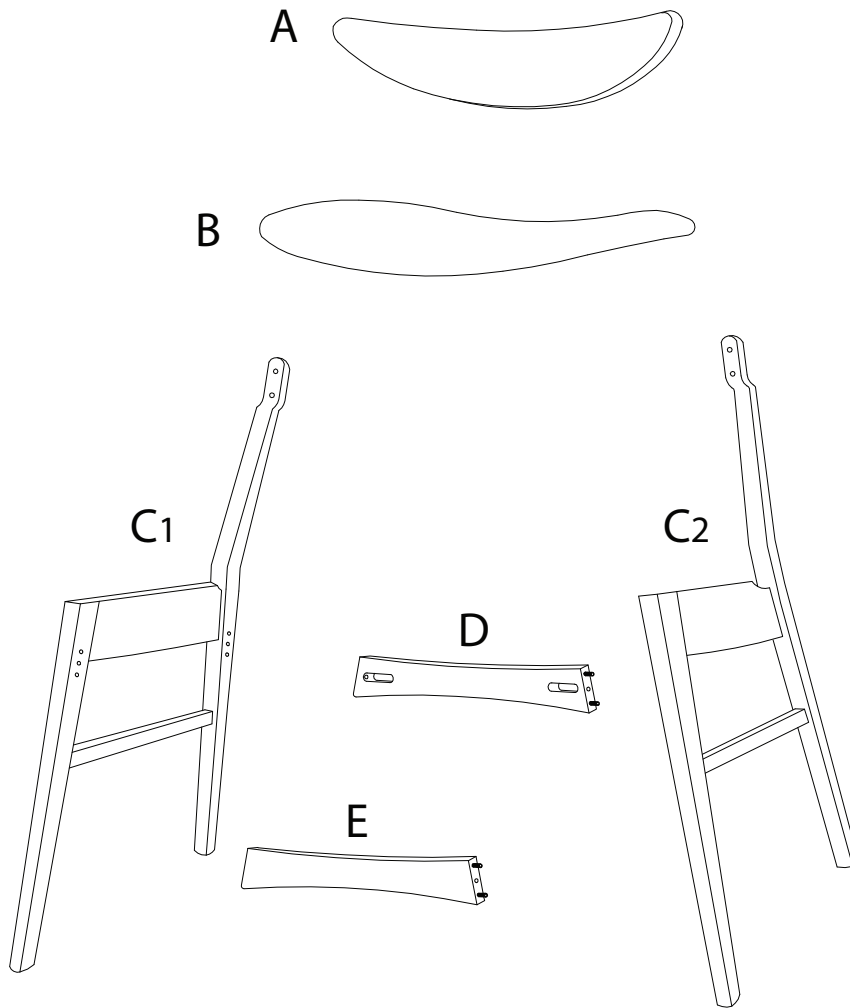
20'

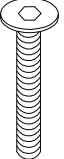
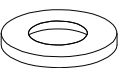
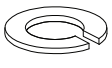
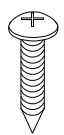
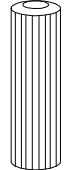
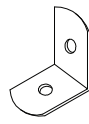



1

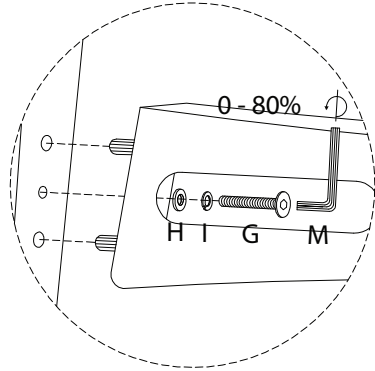
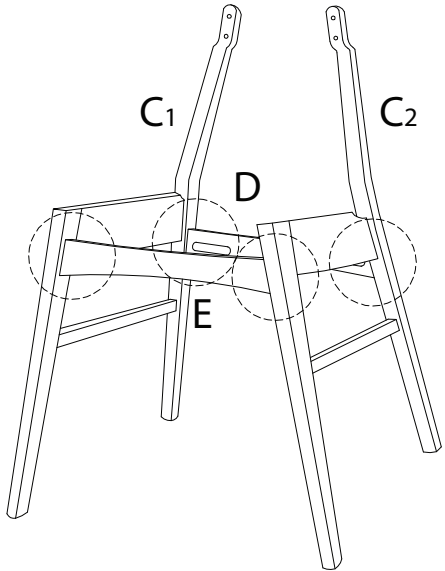
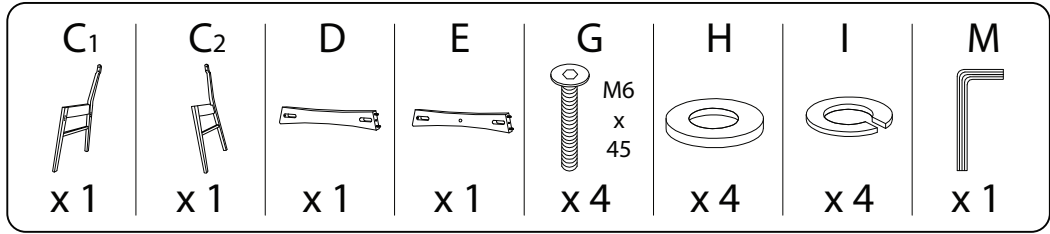
1/5

| | | | | | | |
|---|---|---|---|--|---|---|
| A | B | C1 | C2 | D | E | F |
|  |  |  |  |  |  |  M6 x 25 |
| x 1 | x 1 | x 1 | x 1 | x 1 | x 1 | x 4 |

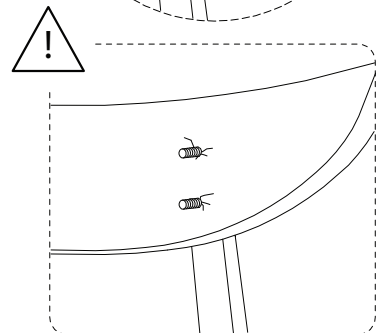
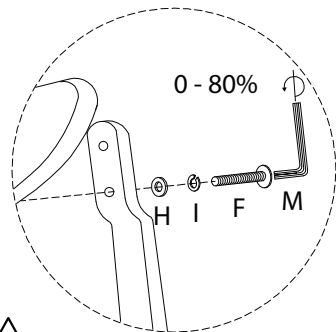
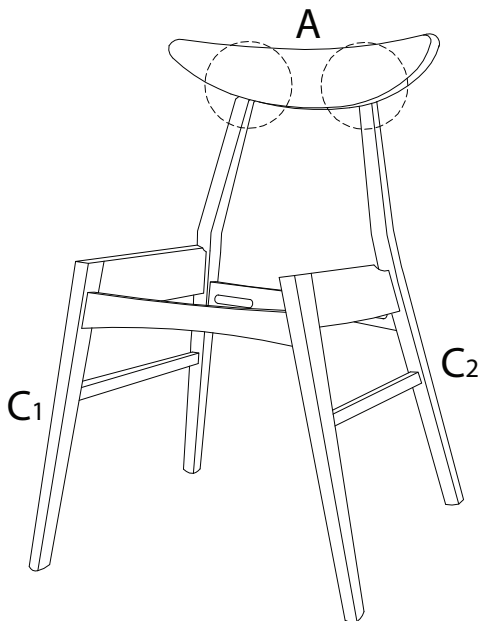
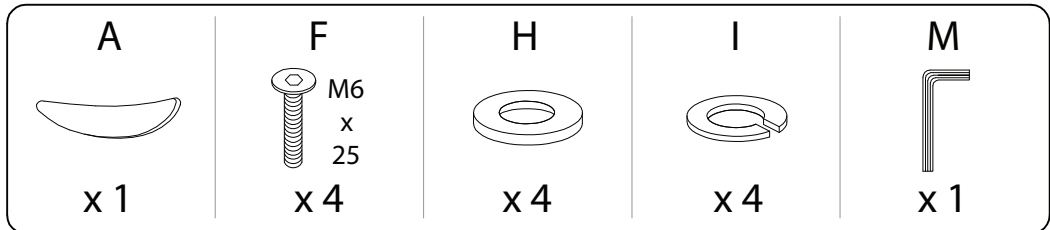


| | | | | | | |
|---|---|---|--|--|---|---|
| G | H | I | J | K | L | M |
|  M6 x 45 |  |  |  3.5 x 12 |  |  |  |
| x 4 | x 8 | x 8 | x 8 | x 2 | x 4 | x 1 |

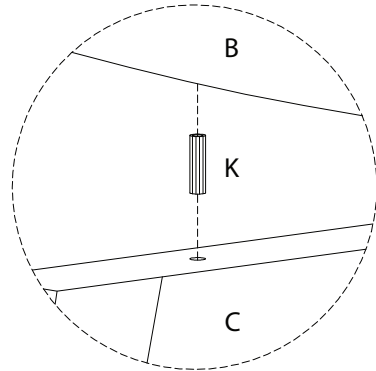
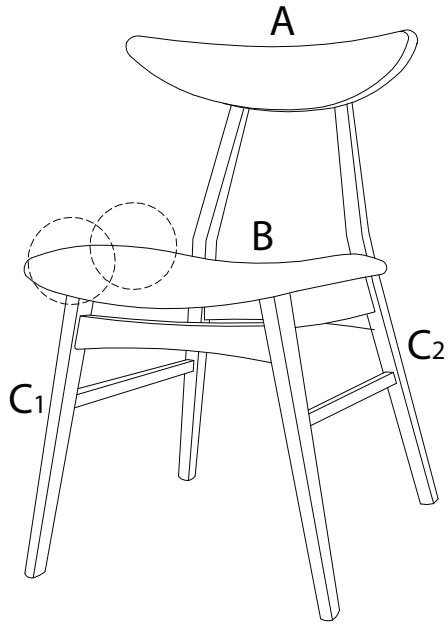
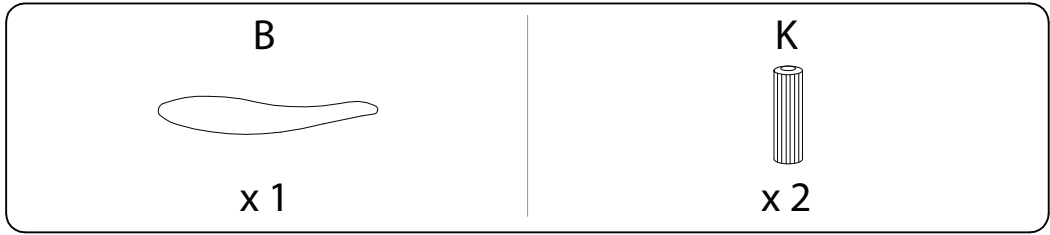
1



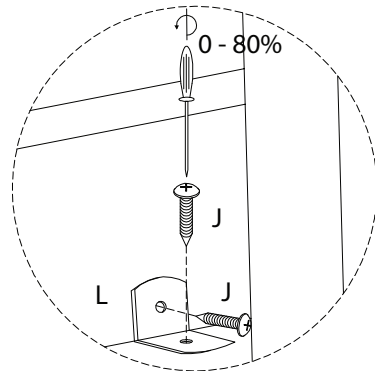
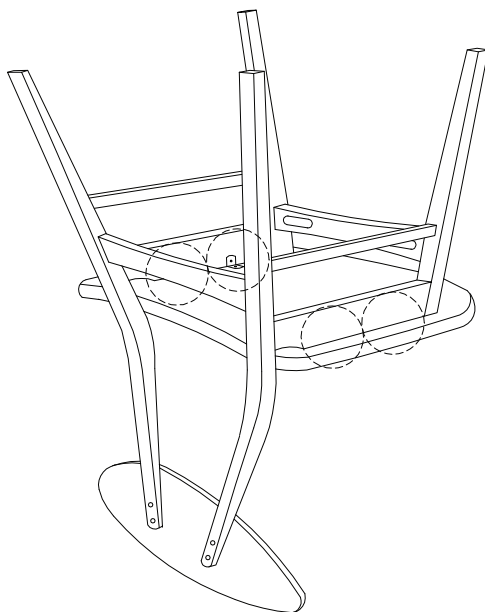
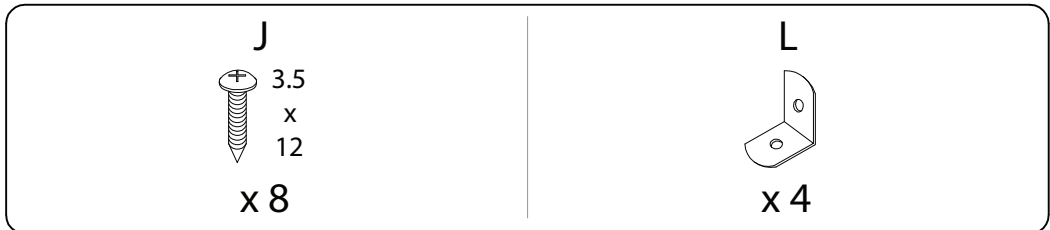
2



3

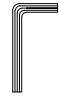


4



5

M



x 1

