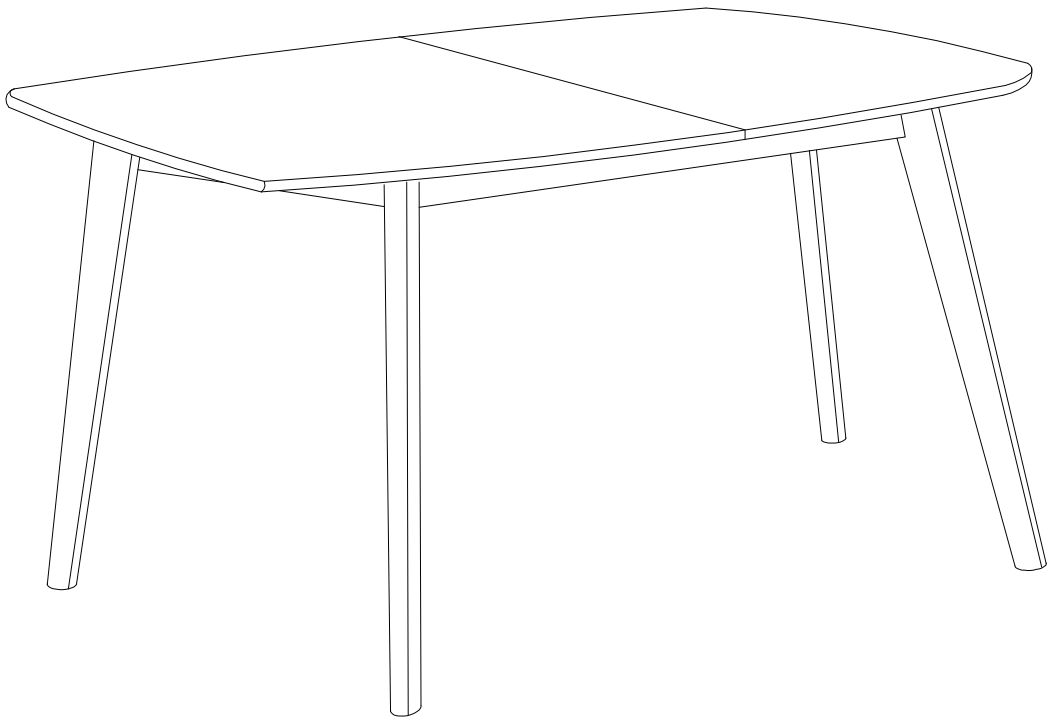
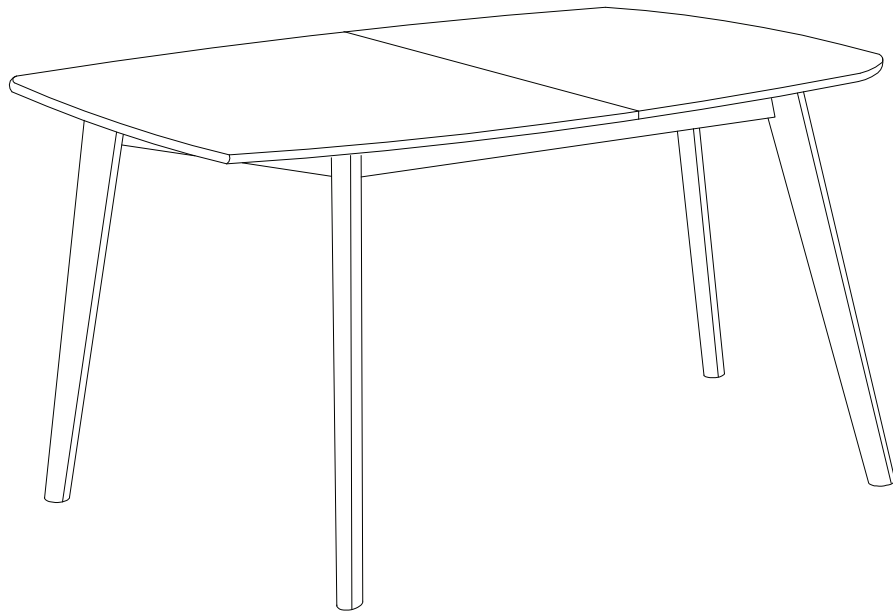


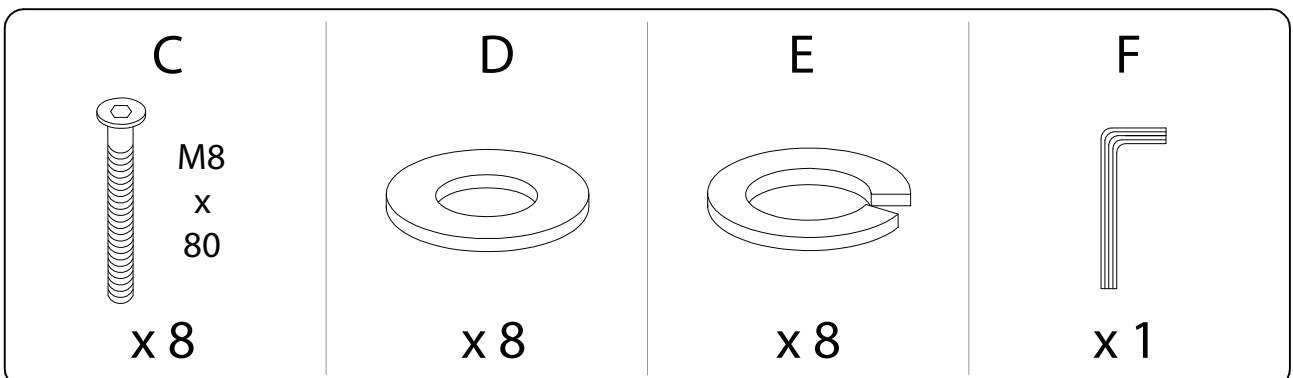
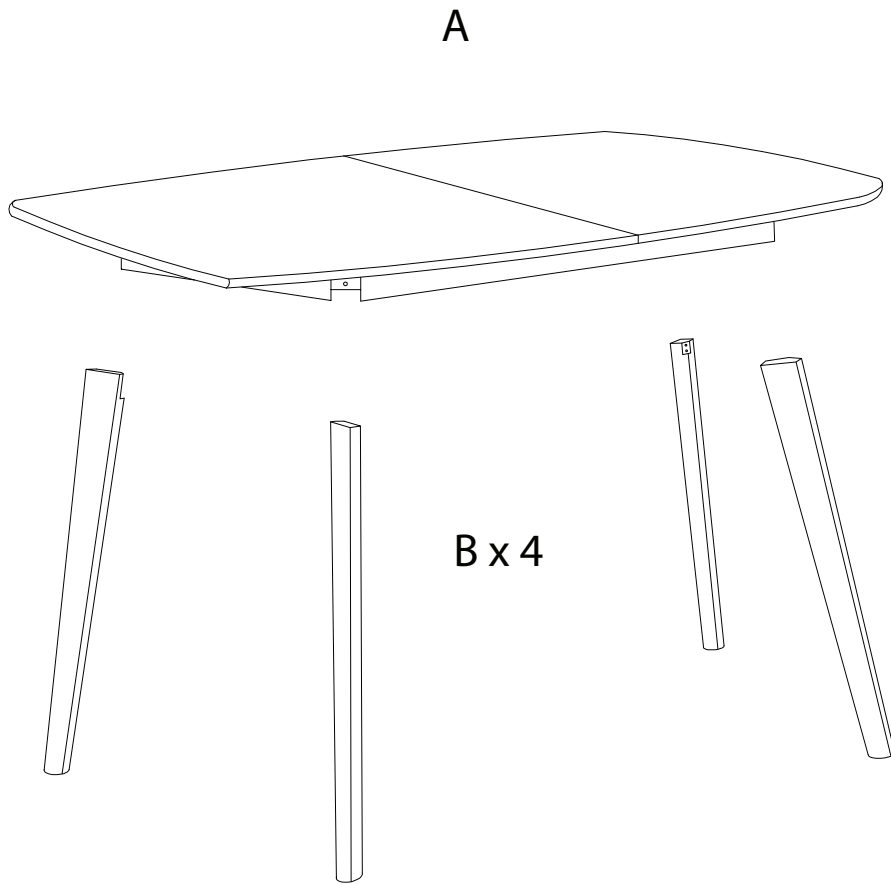
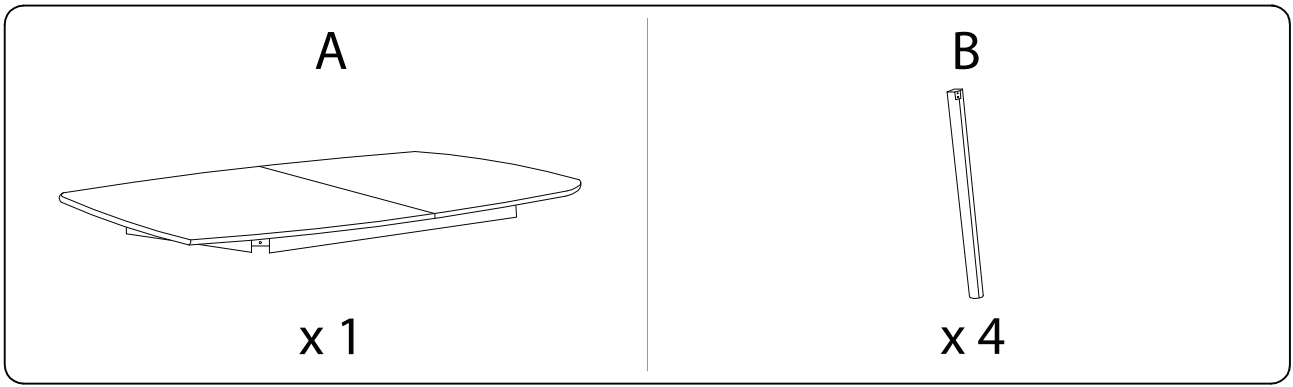
MADDOX



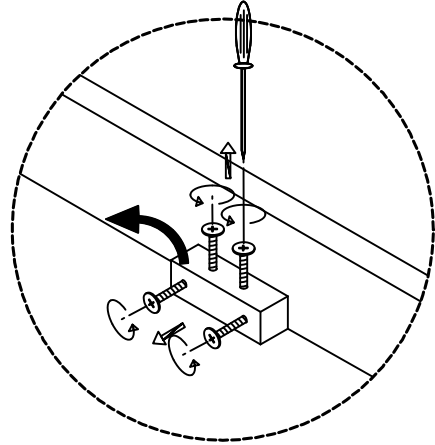
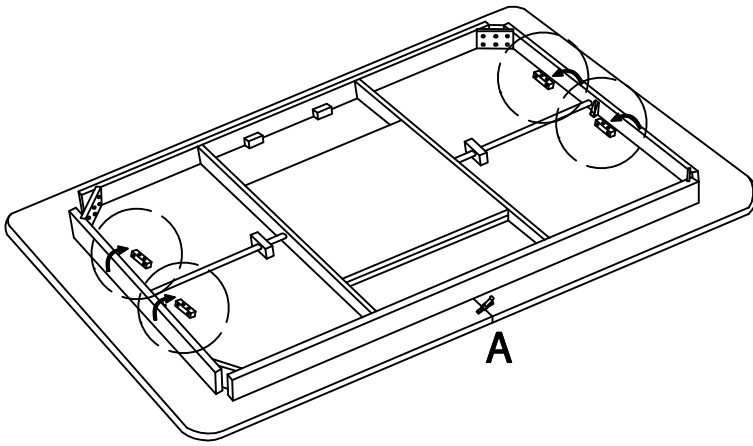
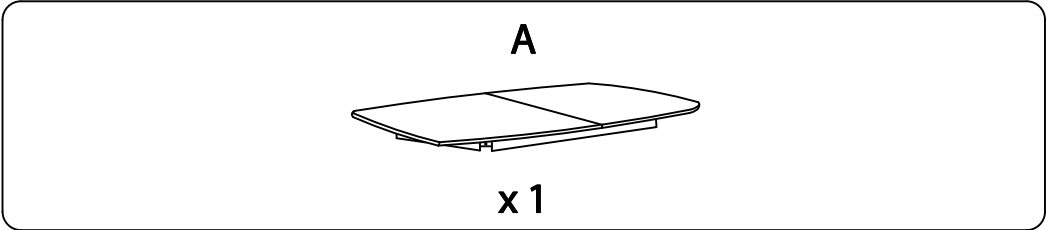


Assembly instructions for step 1/4:

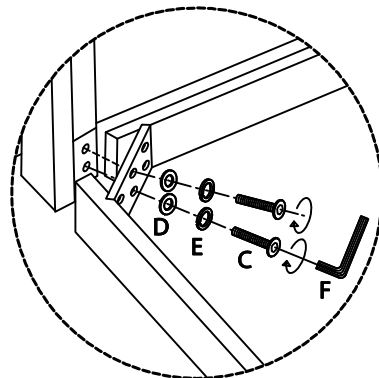
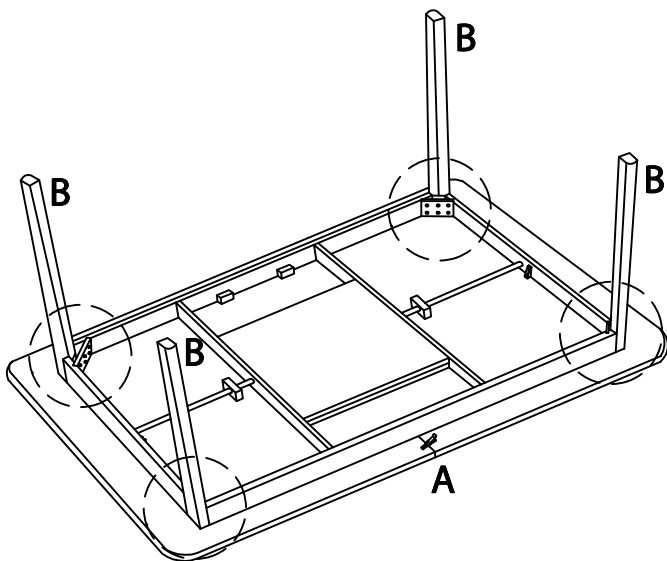
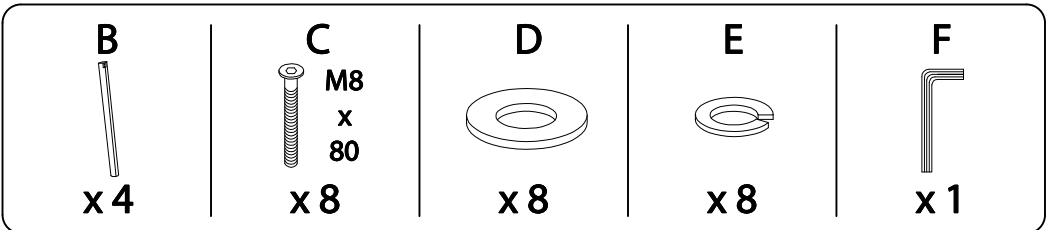
- Tools:** An icon in a circle shows an L-shaped Allen key and a screwdriver. A power drill icon is crossed out with a diagonal line, indicating it should not be used.
- Warning:** A triangle with an exclamation mark indicates a warning.
- Time:** A clock icon with the number 30' below it indicates an estimated assembly time of 30 minutes.
- Personnel:** An icon of a person with the number 2 below it indicates that two people are required for assembly.



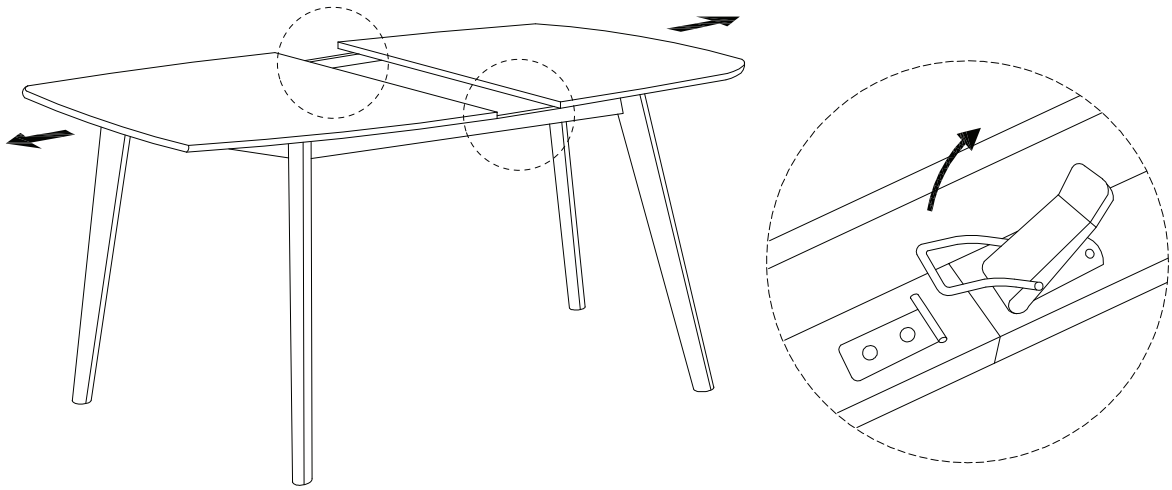
1



2



3



4

