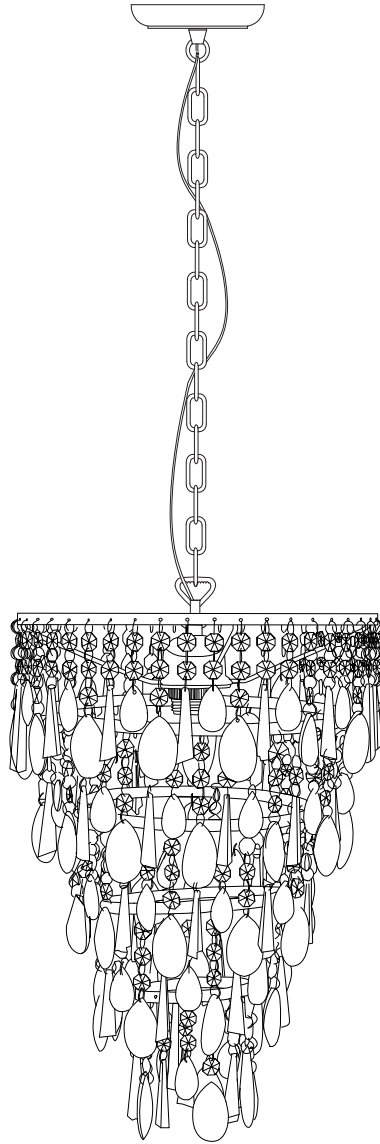
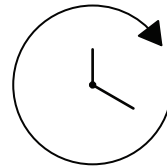
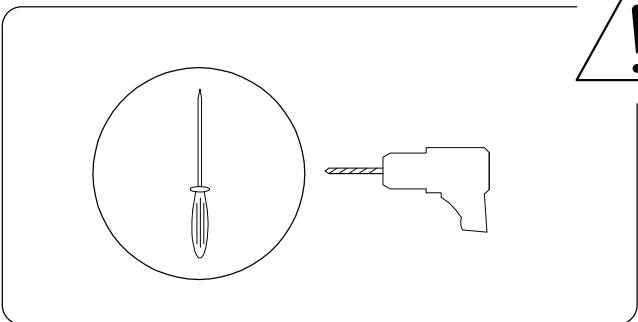
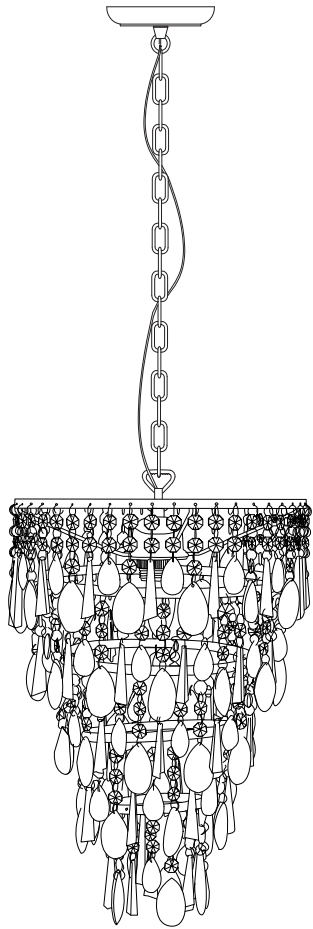
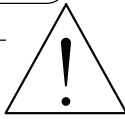
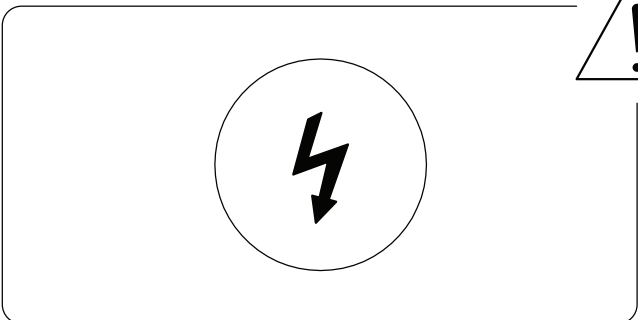


# ENTWASH



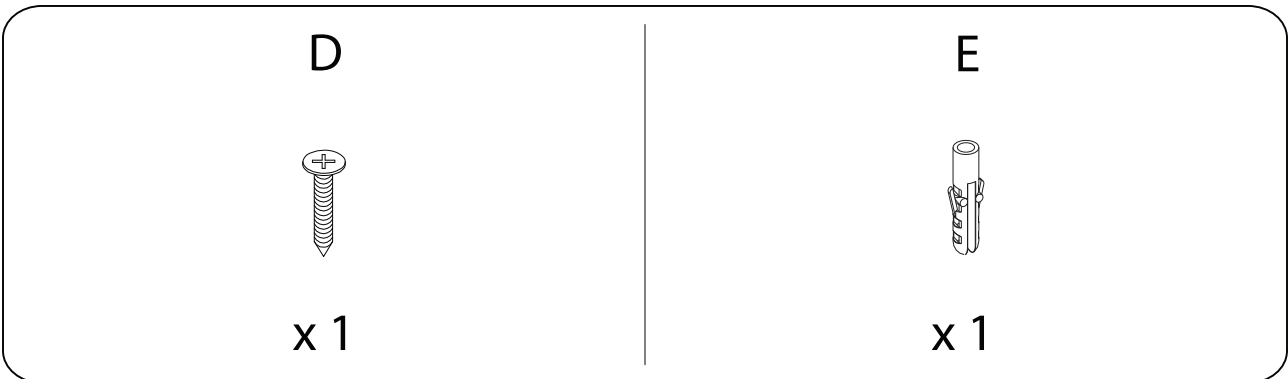
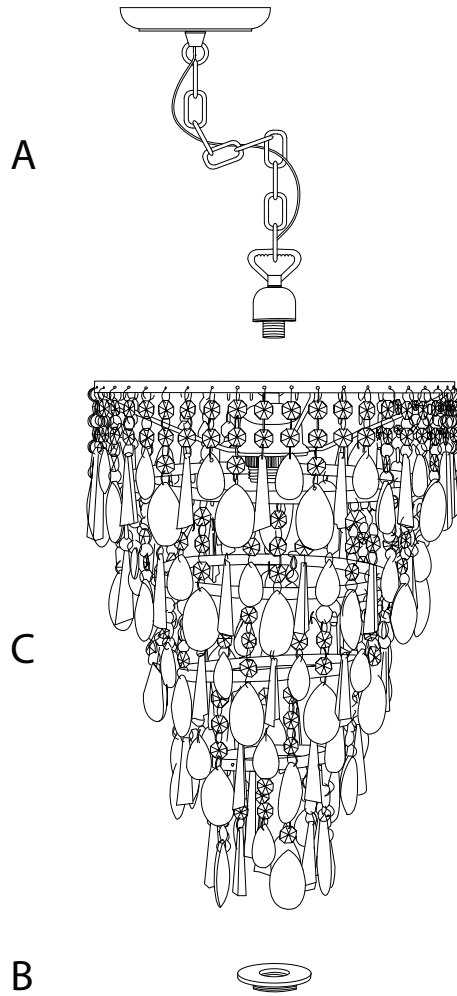
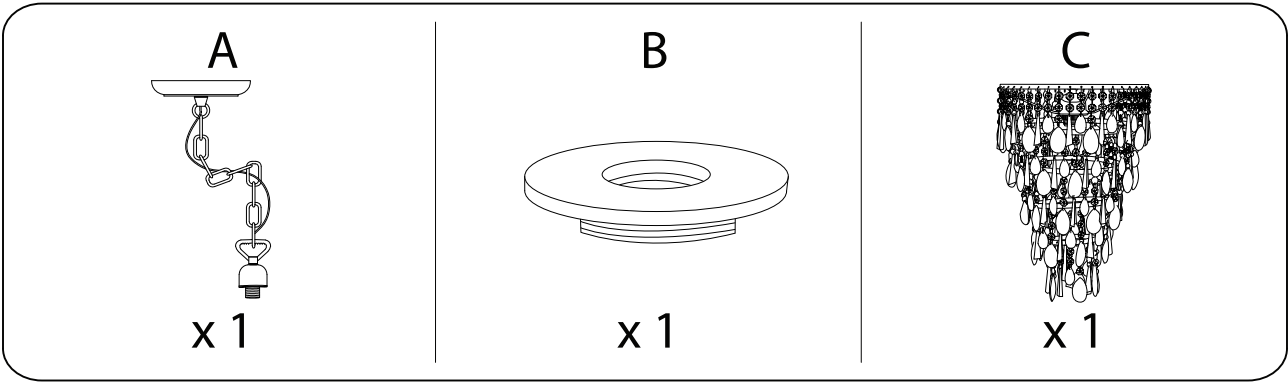


15'

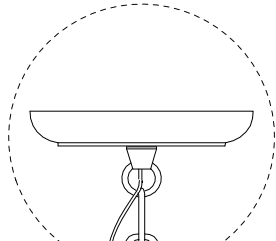
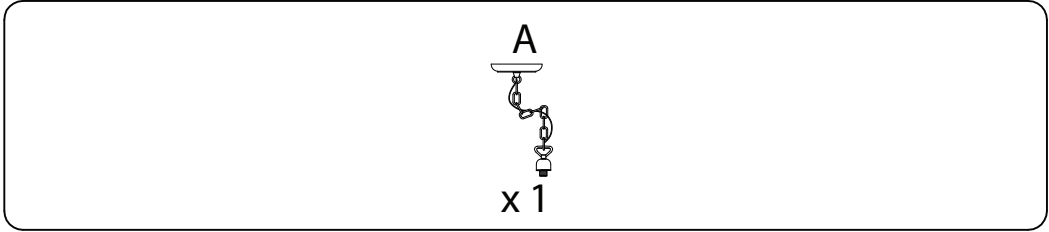


1

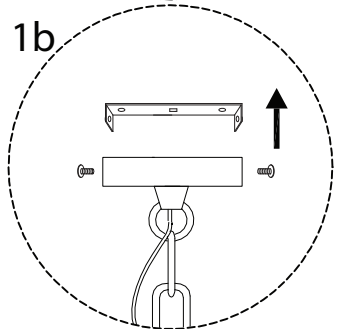
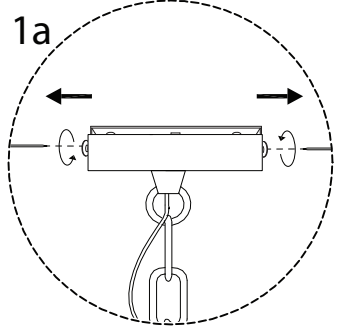
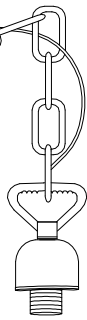
1/4



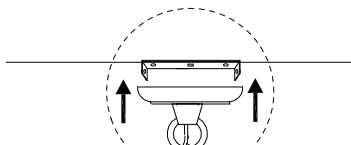
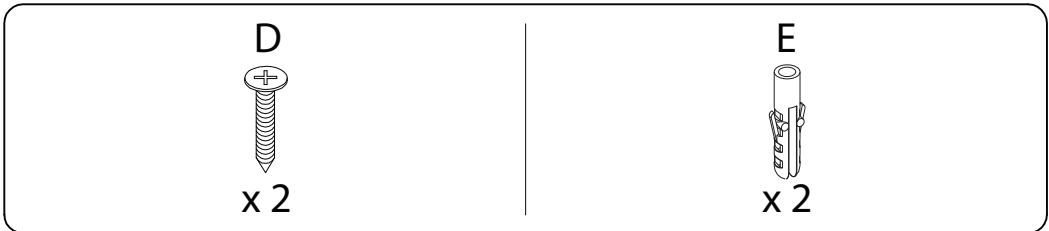
1



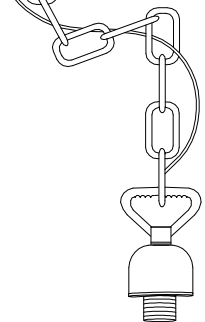
A



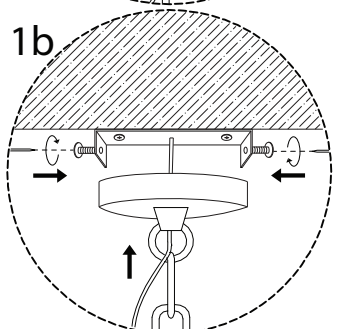
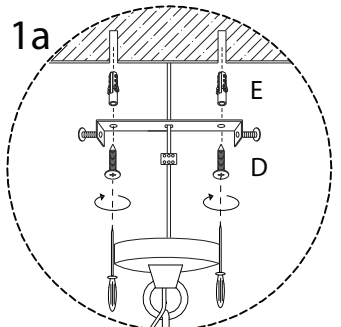
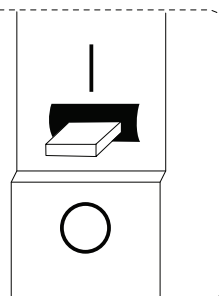
2



A

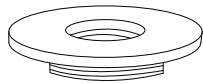


OFF



3

B

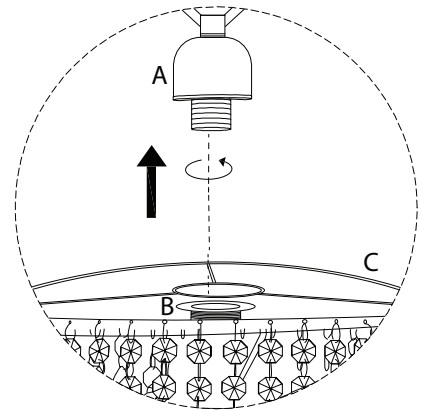
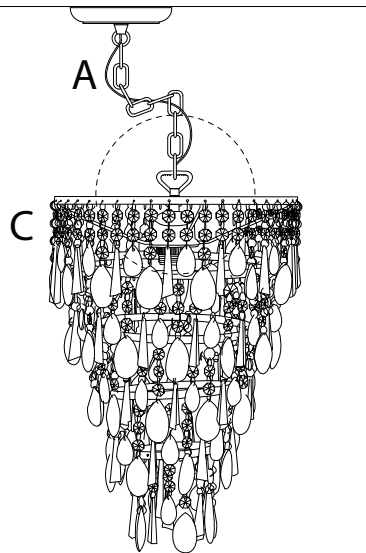


x 1

C



x 1



4

