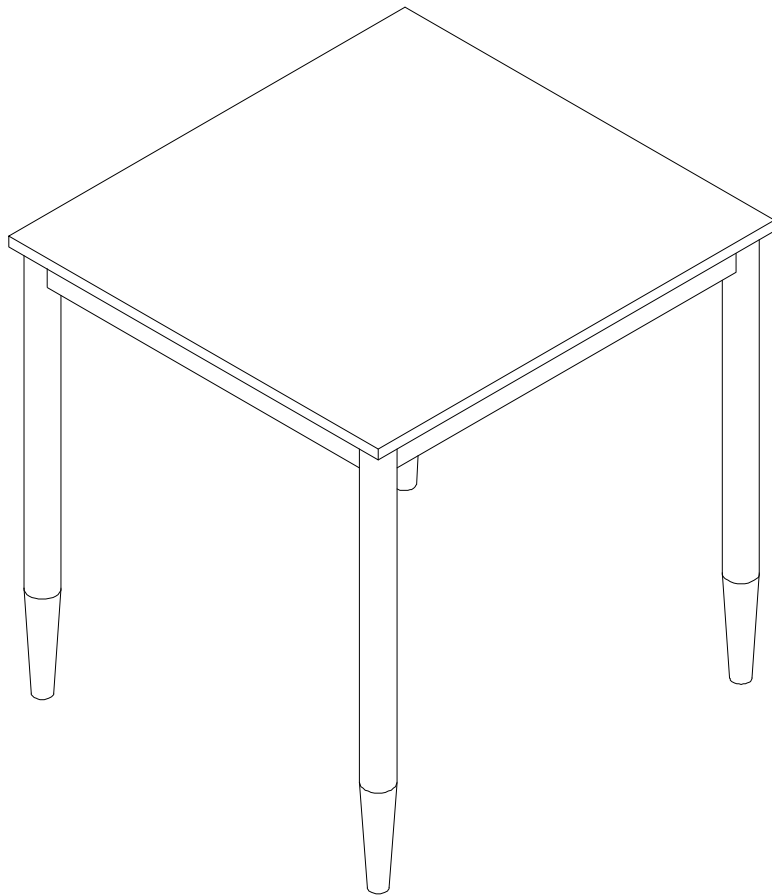
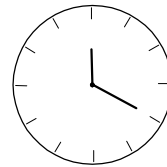
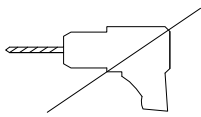
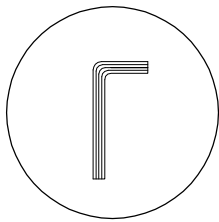
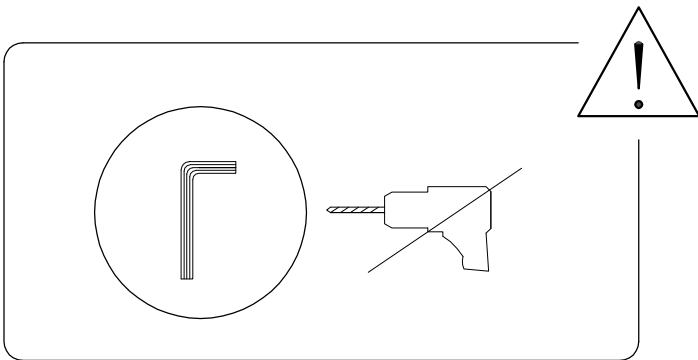
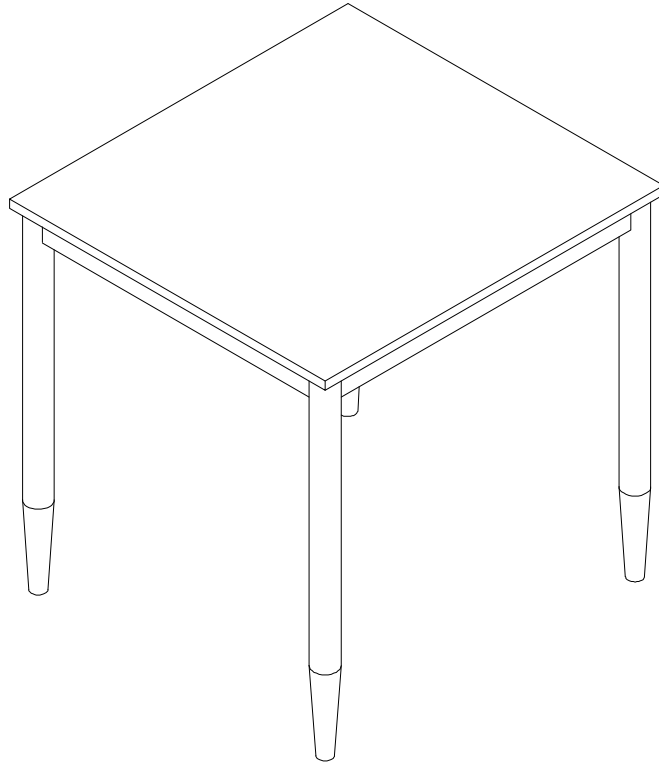
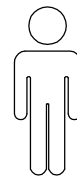
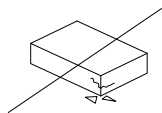
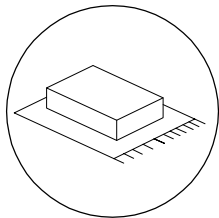
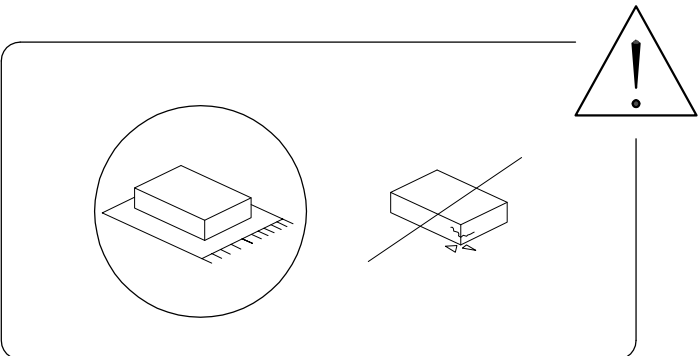


# SHALFORD



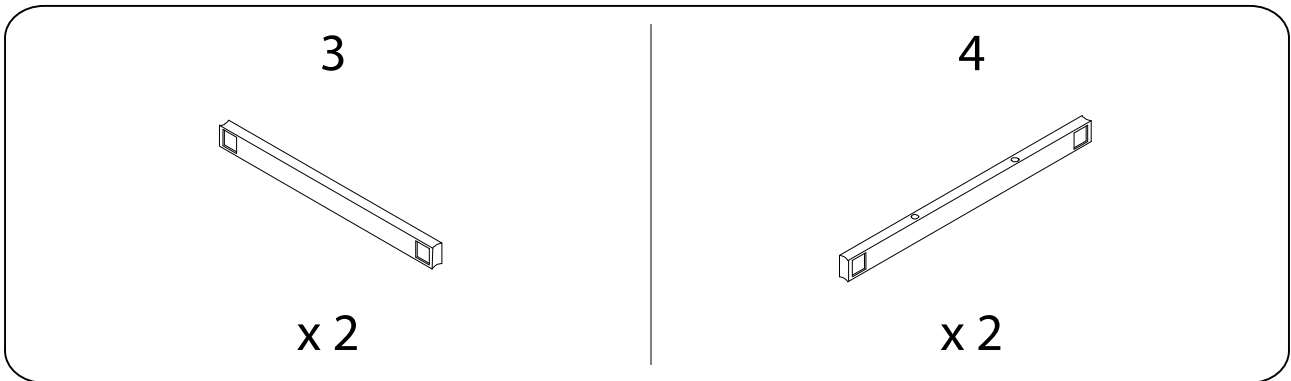
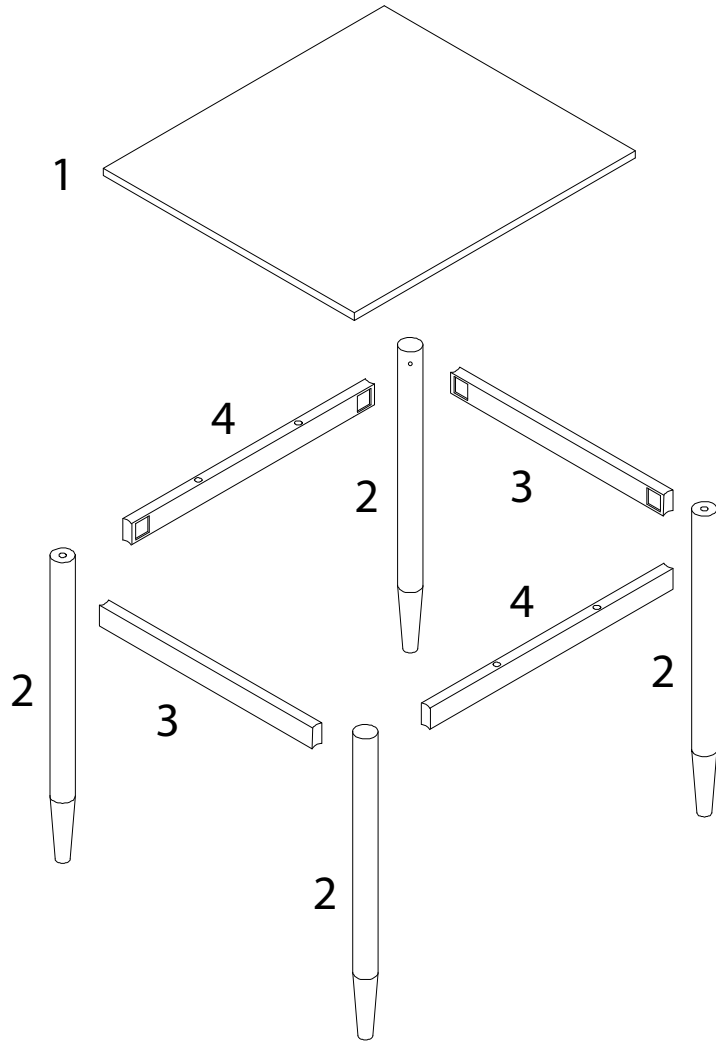
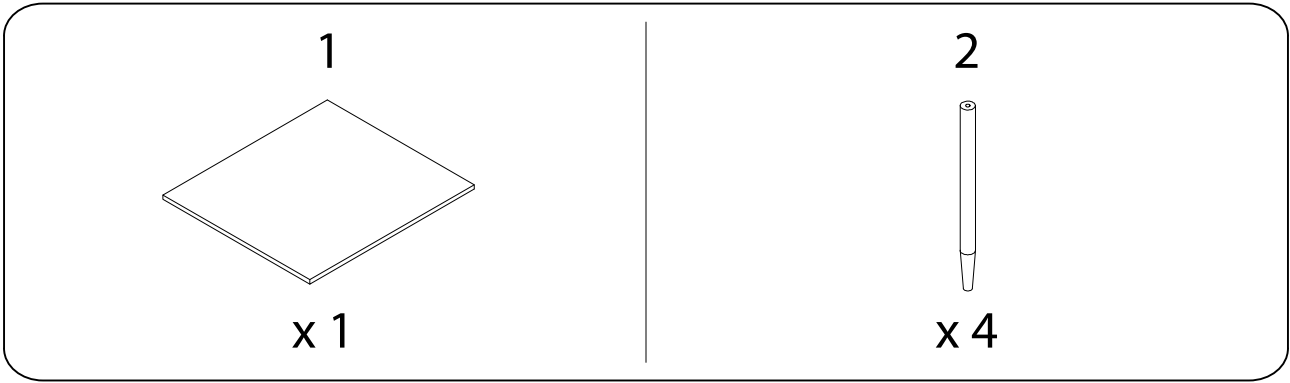


20'

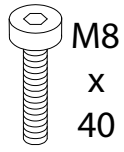


2

1/4

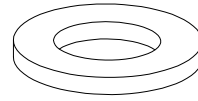


A



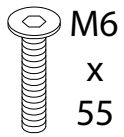
x 4

B



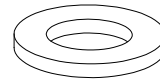
x 4

C



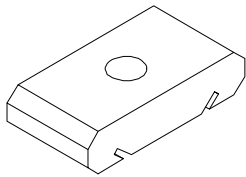
x 4

D



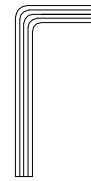
x 4

E



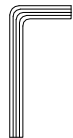
x 4

F



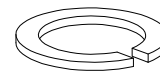
x 1

G




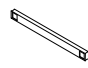
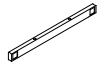
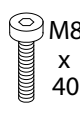
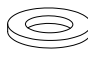
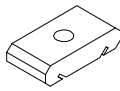
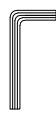

x 1

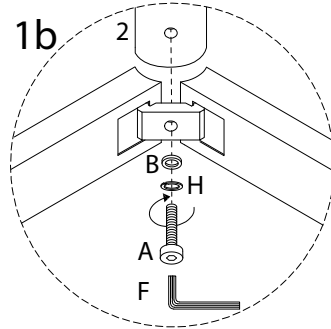
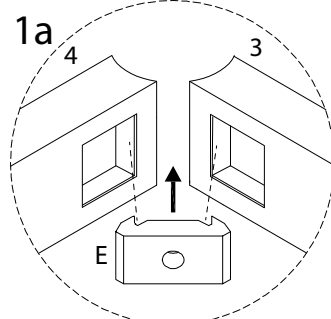
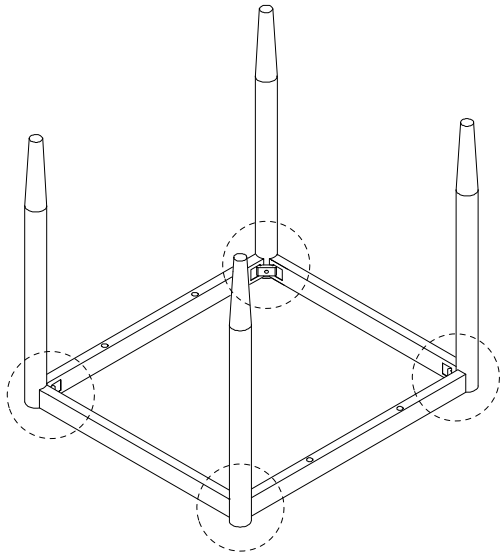
H



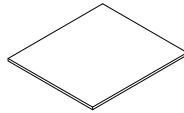
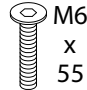

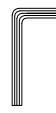
x 4

1

2  x4	3  x2	4  x2	A  M8 x 40 x4	B  x4	E  x4	F  x1	H  x4
--	--	--	--	--	--	--	--



2

1  x1	C  M6 x 55 x4	D  x4	G  x1
--	--	---	--

