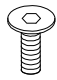
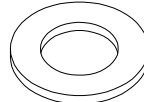
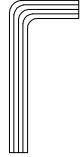


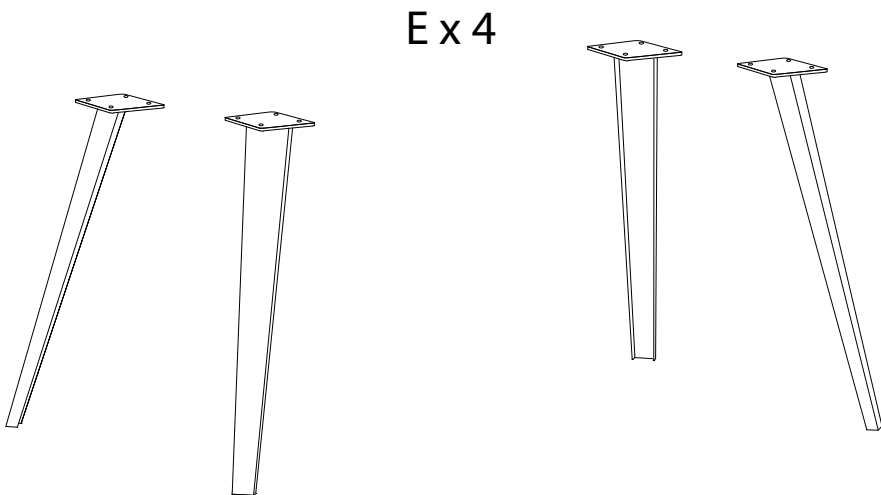
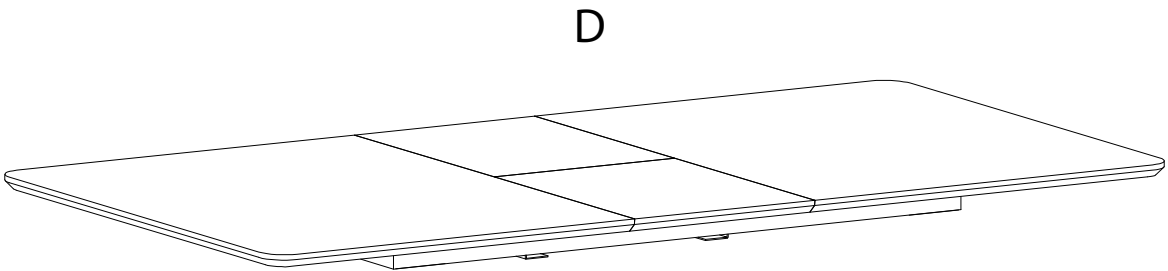







Diagram illustrating assembly instructions and safety warnings:

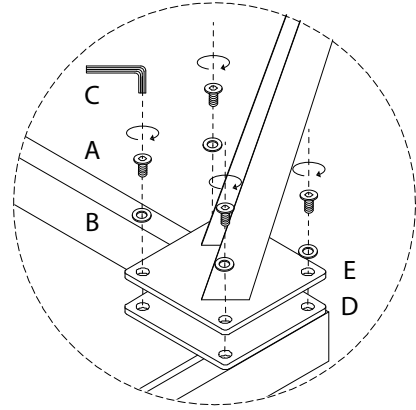
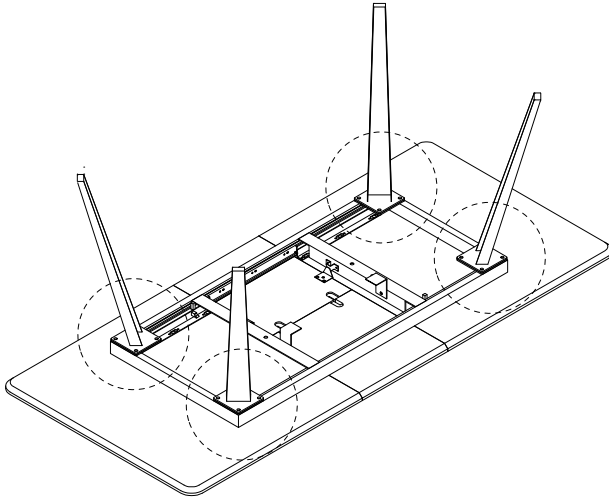
- Warning 1:** A warning triangle with an exclamation mark is positioned above a box containing an L-shaped bracket and a crossed-out power drill icon.
- Warning 2:** A warning triangle with an exclamation mark is positioned above a box containing a rectangular block on a textured surface and a crossed-out block with a screw icon.
- Time:** A clock icon is shown next to the text "20'".
- Personnel:** A person icon is shown next to the number "2".

<p>A</p>  <p>M8 x 16</p> <p>x 16</p>	<p>B</p>  <p>x 16</p>	<p>C</p>  <p>x 1</p>	<p>D</p>  <p>x 1</p>	<p>E</p>  <p>x 4</p>
---	--	---	--	---

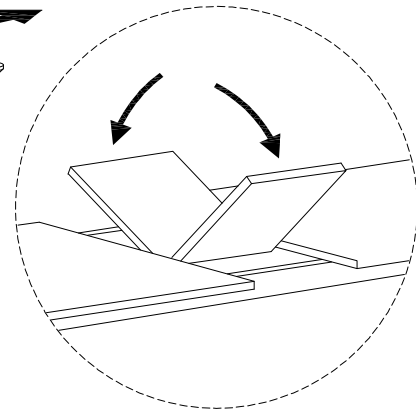
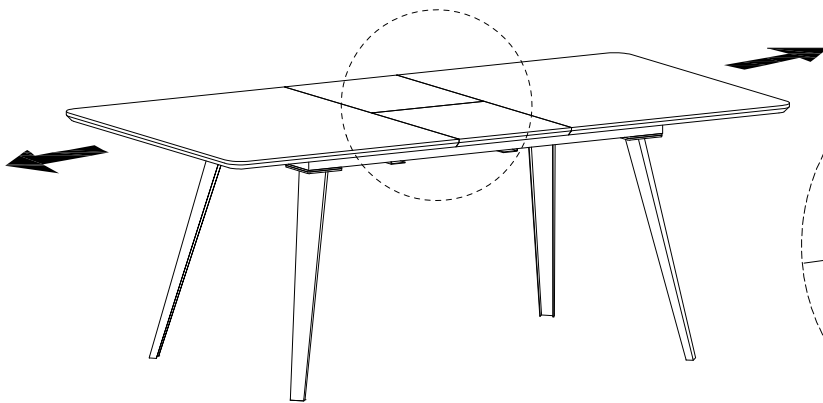


1

<p>A</p>  <p>M8 x 16</p> <p>x 16</p>	<p>B</p>  <p>x 16</p>	<p>C</p>  <p>x 1</p>	<p>D</p>  <p>x 1</p>	<p>E</p>  <p>x 4</p>
---	--	---	---	---



!



!

