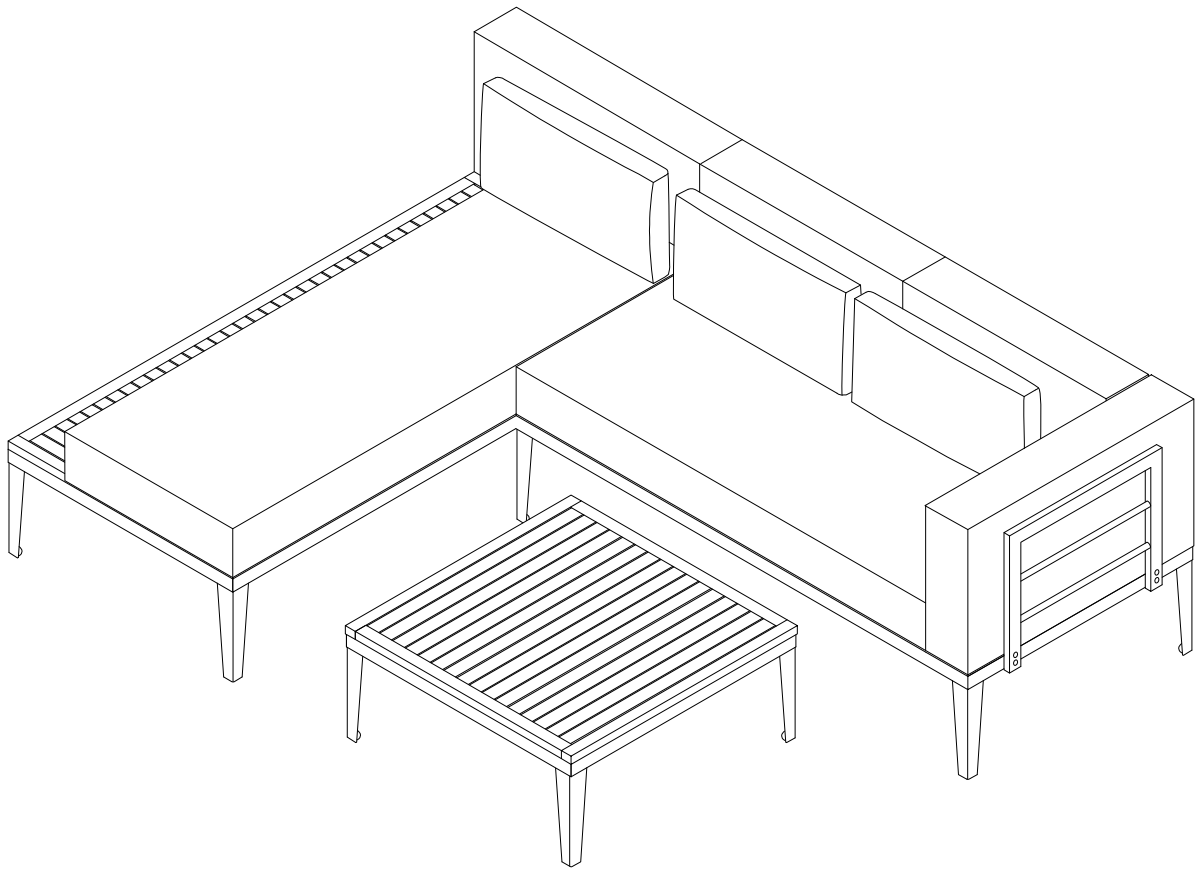
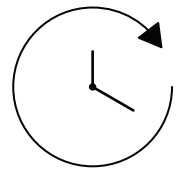
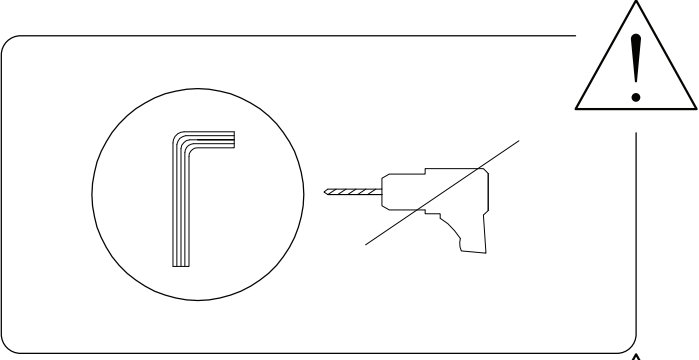
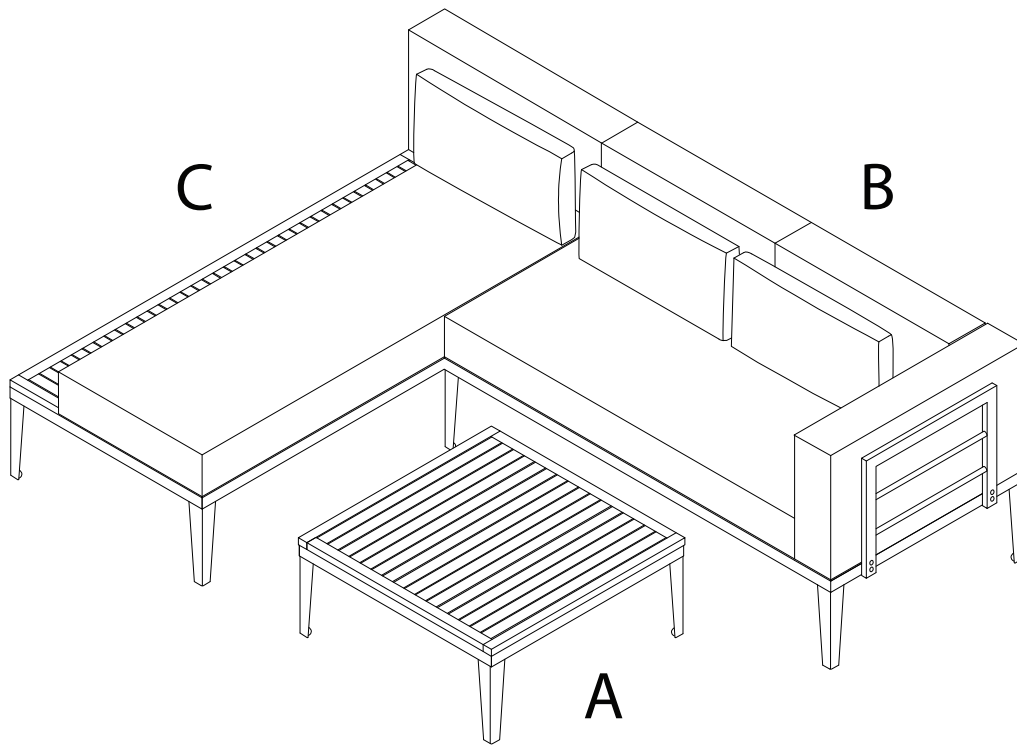
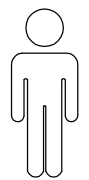
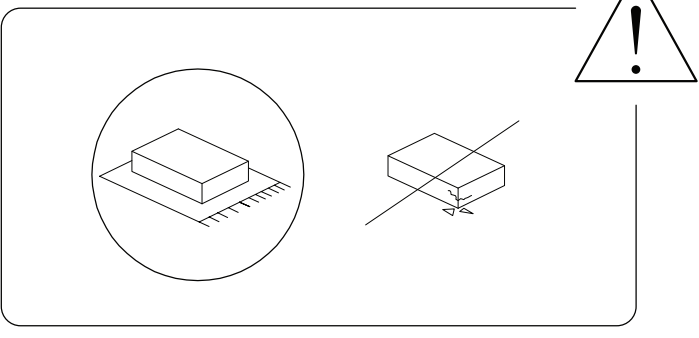


# BRACCIANO



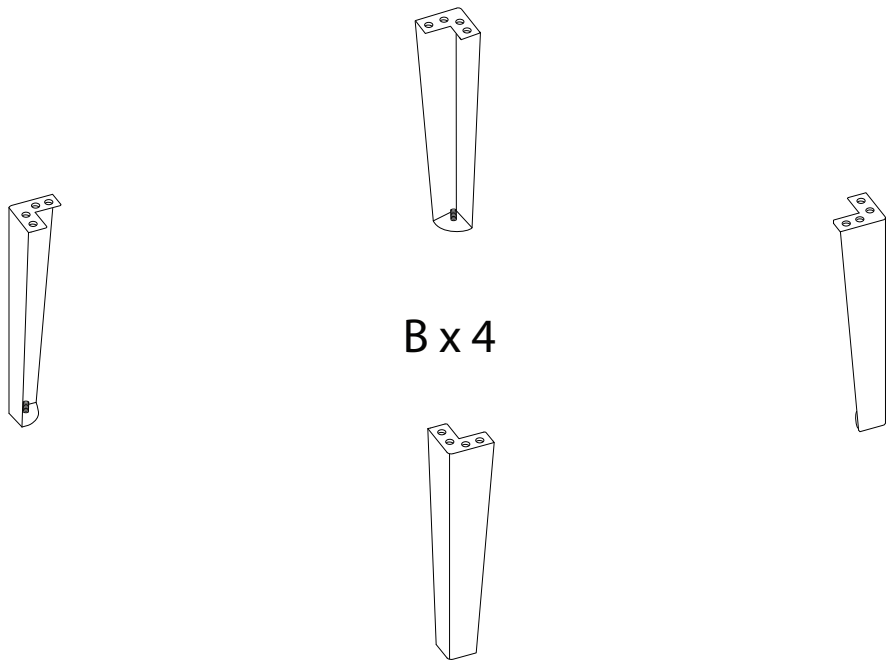
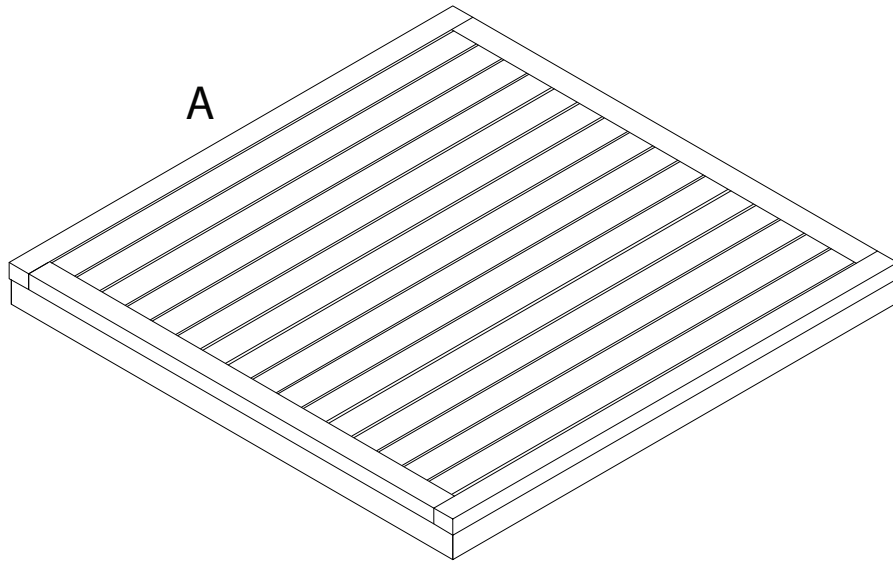


35'



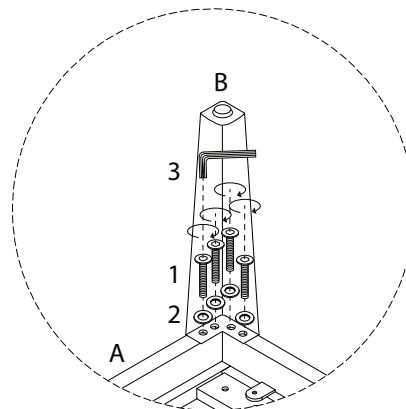
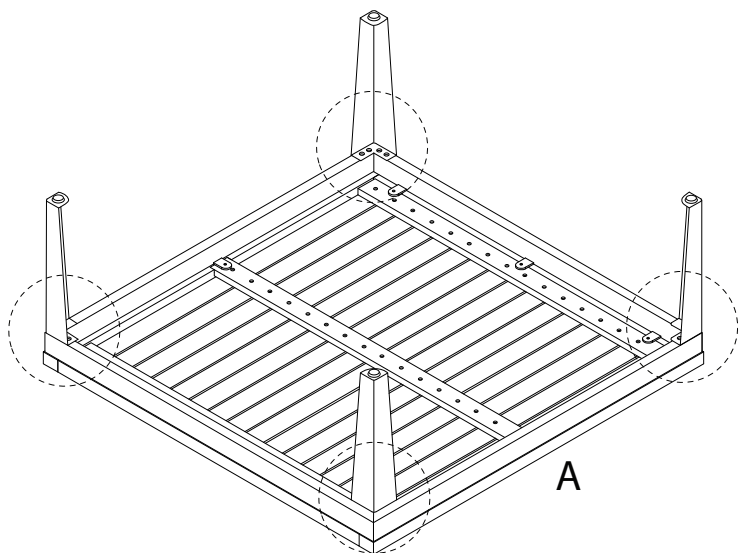
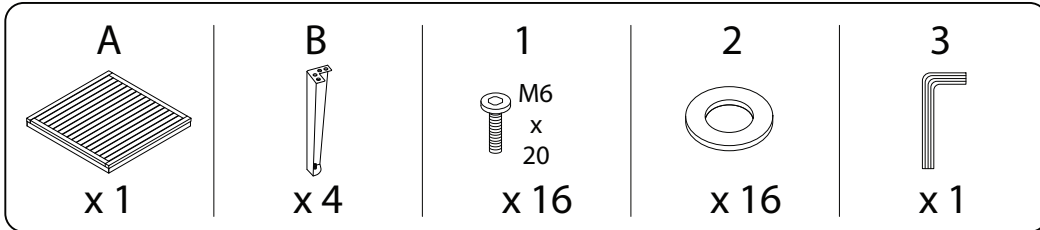
1

A

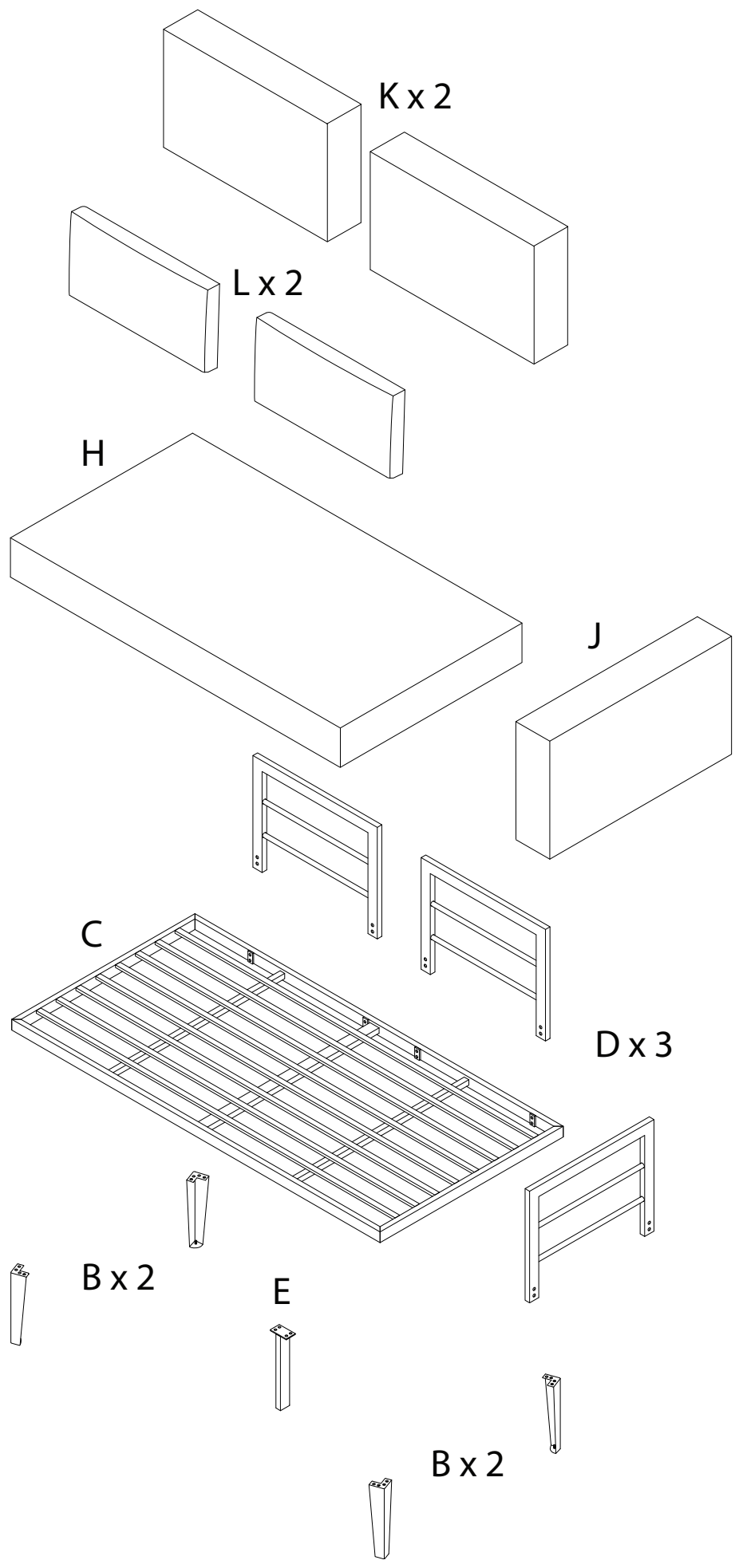


A	B	1	2	3
		 M6 x 20		
x 1	x 4	x 16	x 16	x 1

1



B

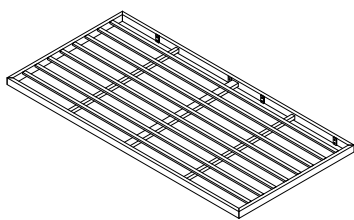


B



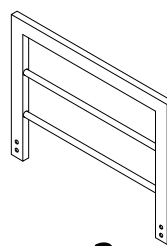
x 4

C



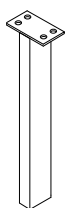
x 1

D



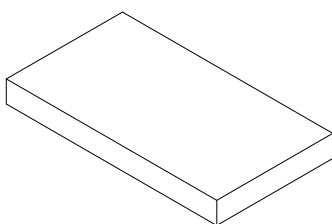
x 3

E



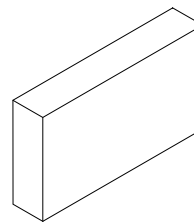
x 1

H



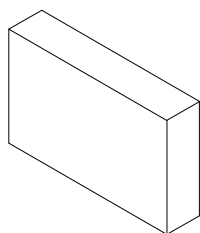
x 1

J



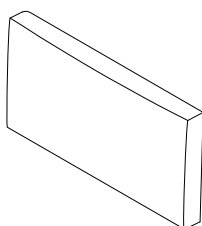
x 1

K



x 2

L



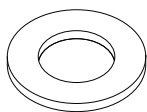
x 2

1



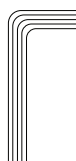
x 20

2



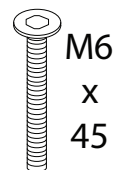
x 32

3



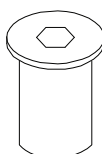
x 2

4



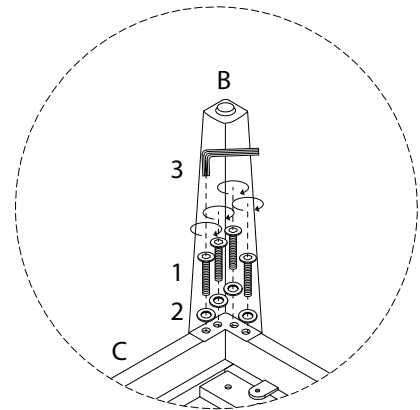
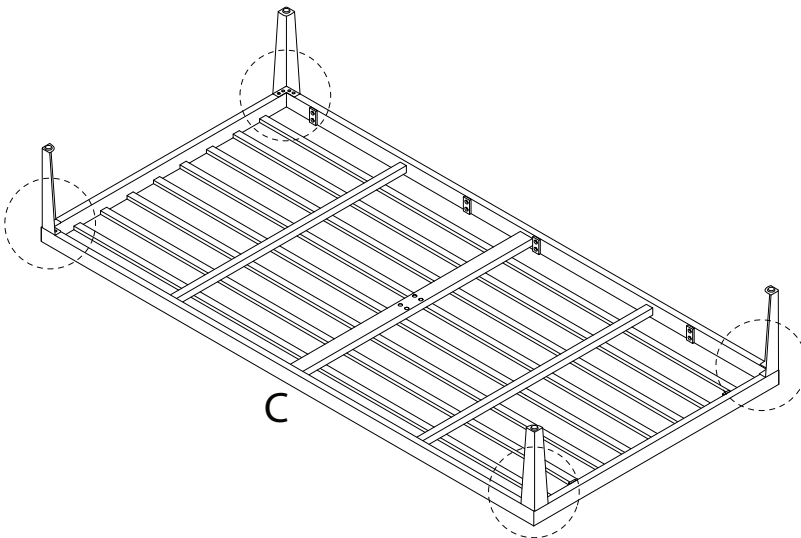
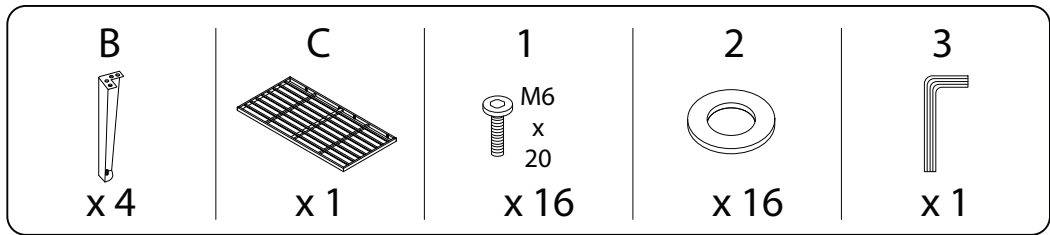
x 12

5

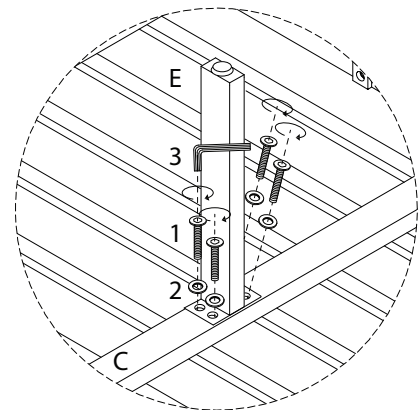
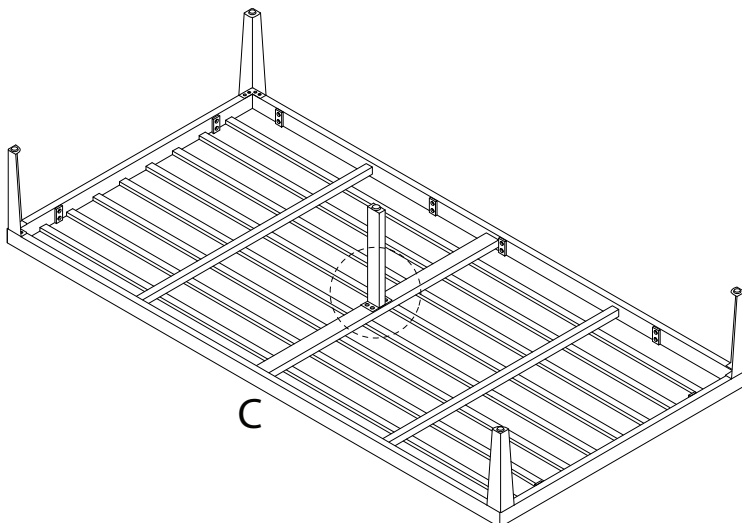


x 12

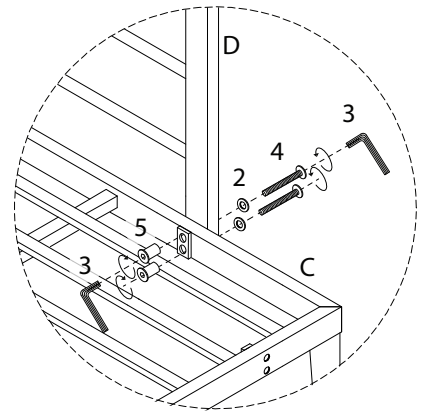
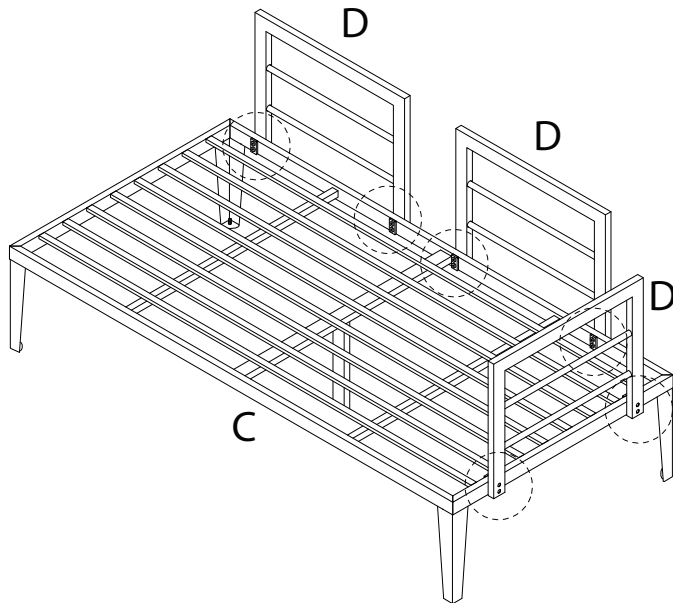
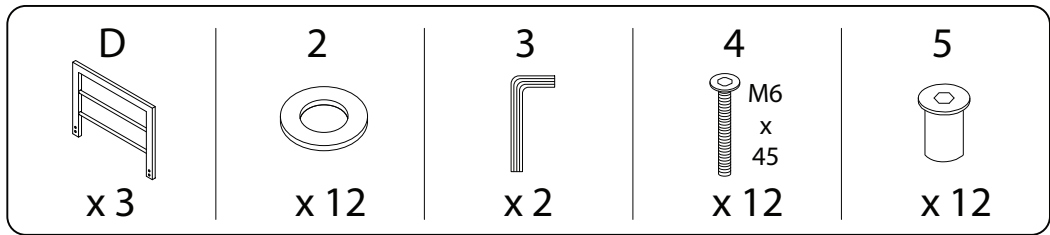
1



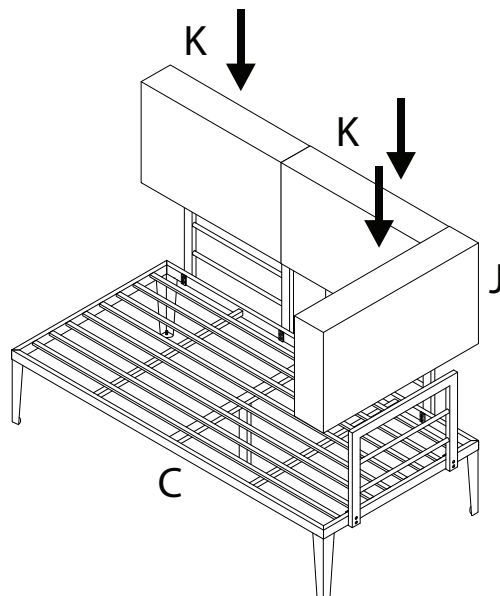
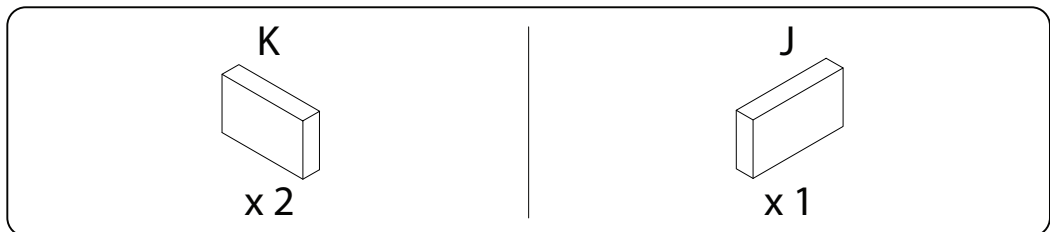
2



3

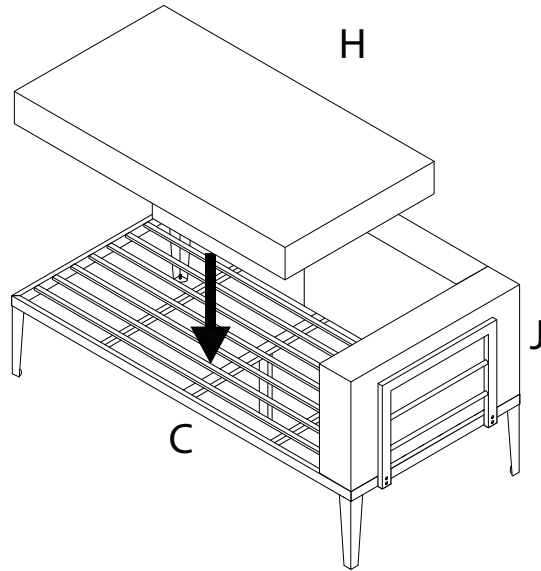
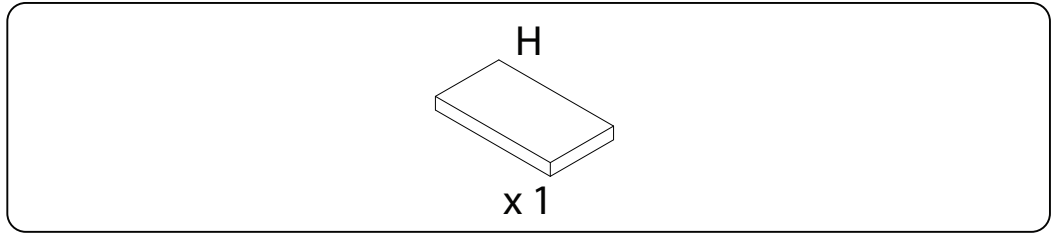


4

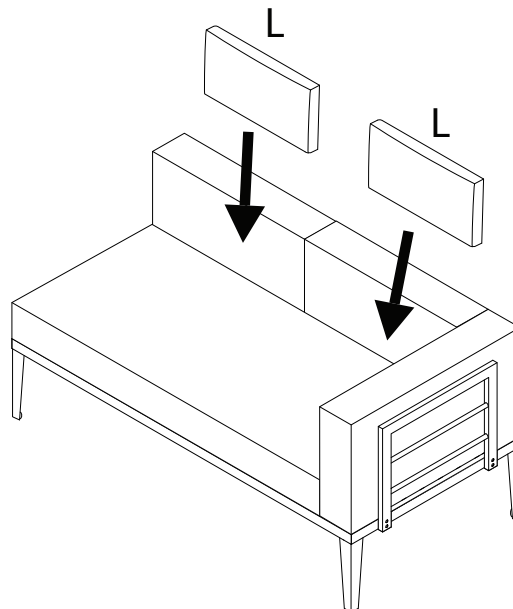
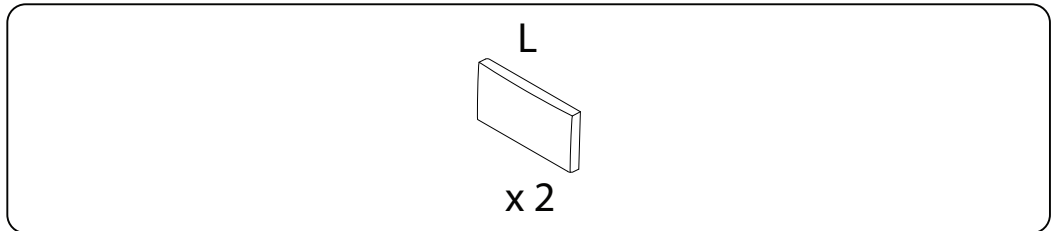




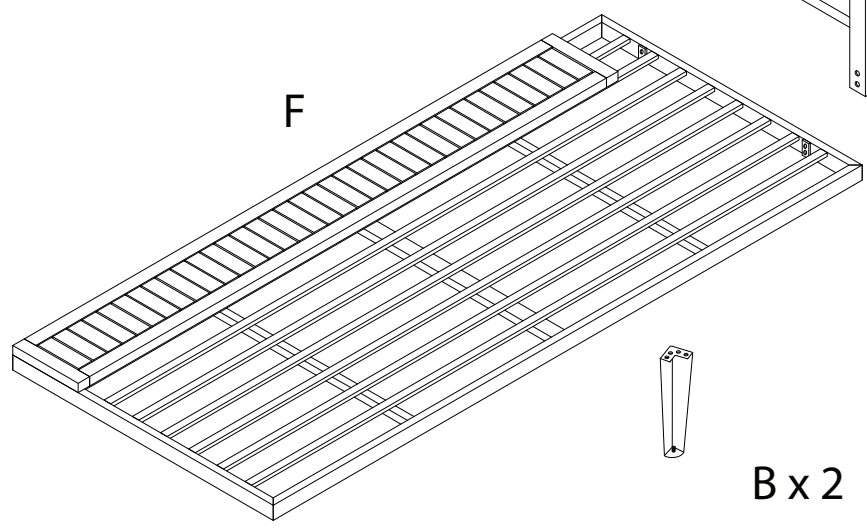
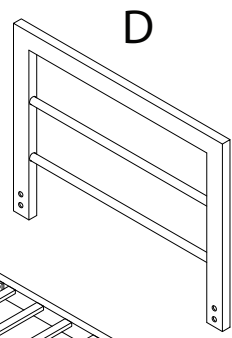
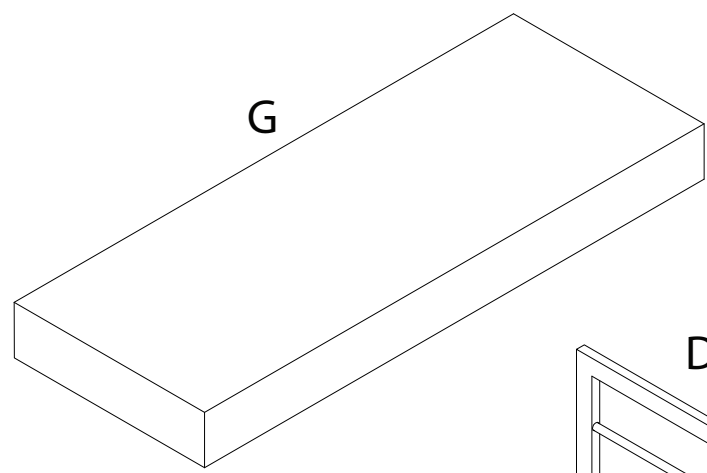
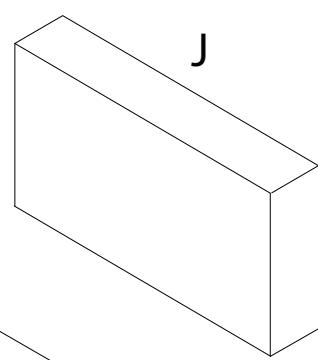
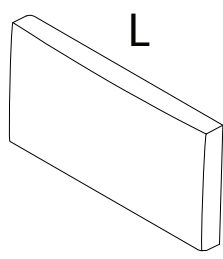
5



6



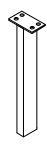
C



B x 2



E



B x 2

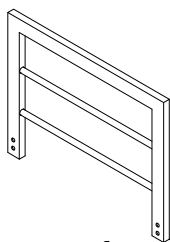


B



x 4

D



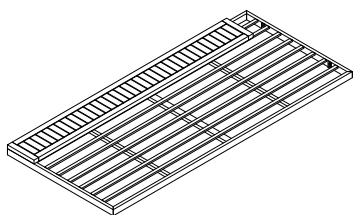
x 1

E



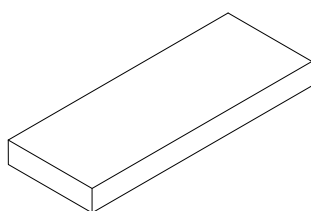
x 1

F



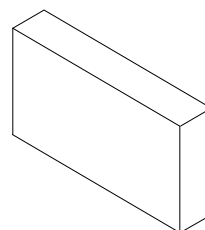
x 1

G



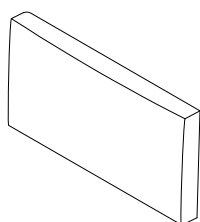
x 1

J



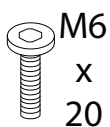
x 1

L



x 1

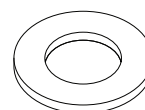
1



M6  
x  
20

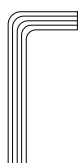
x 20

2



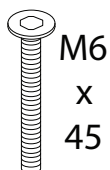
x 24

3



x 2

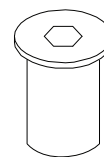
4



M6  
x  
45

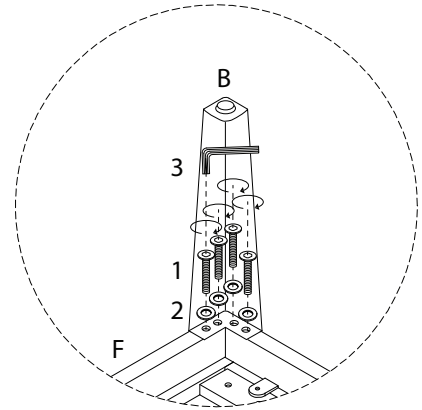
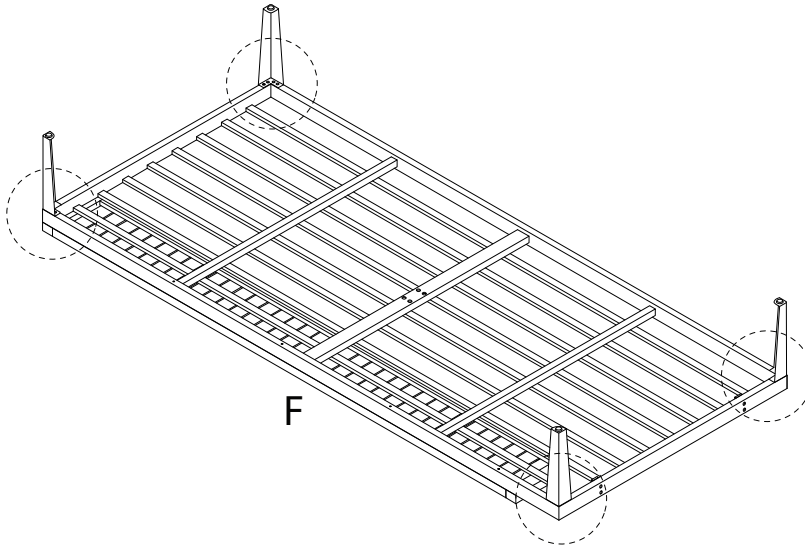
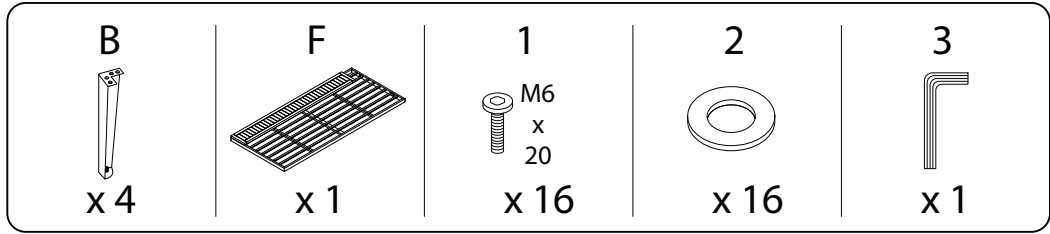
x 4

5

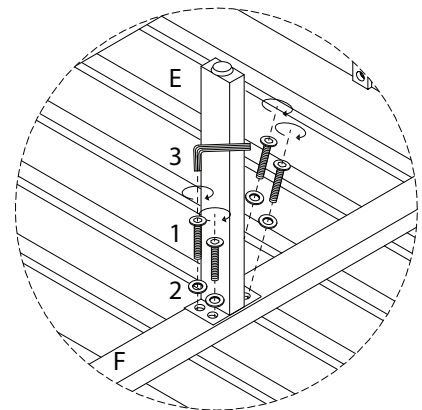
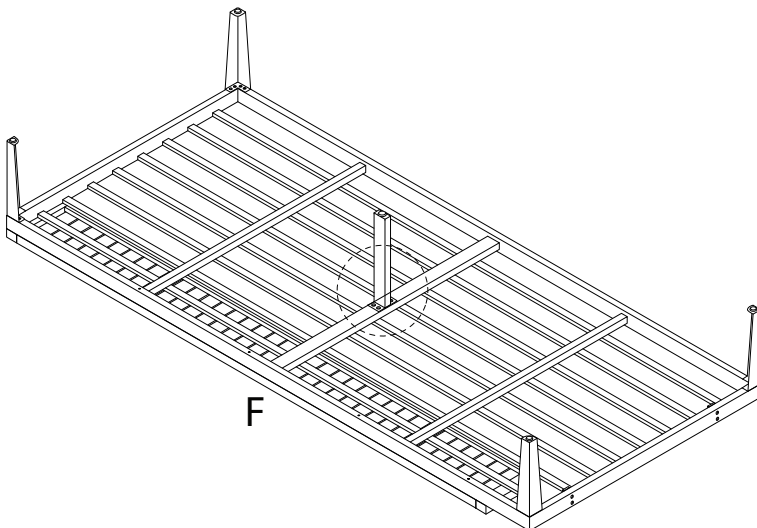


x 4

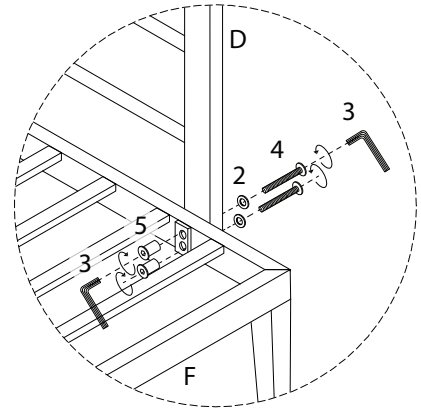
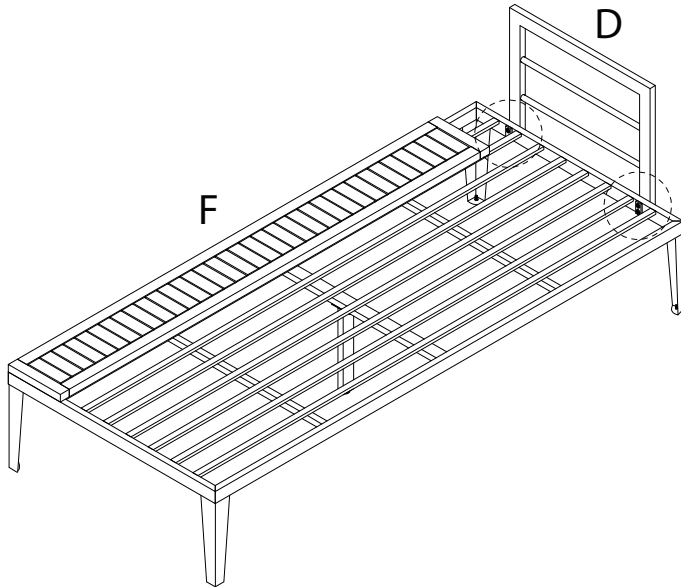
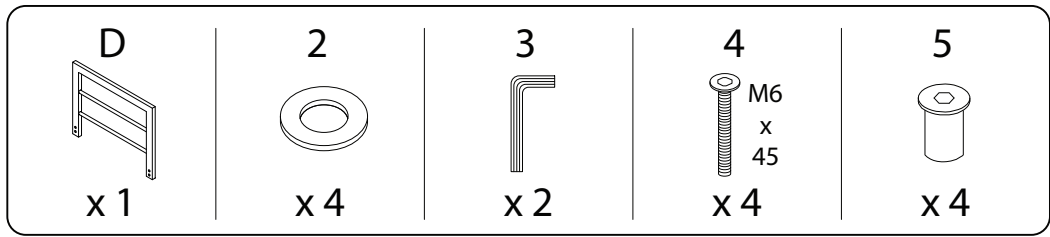
1



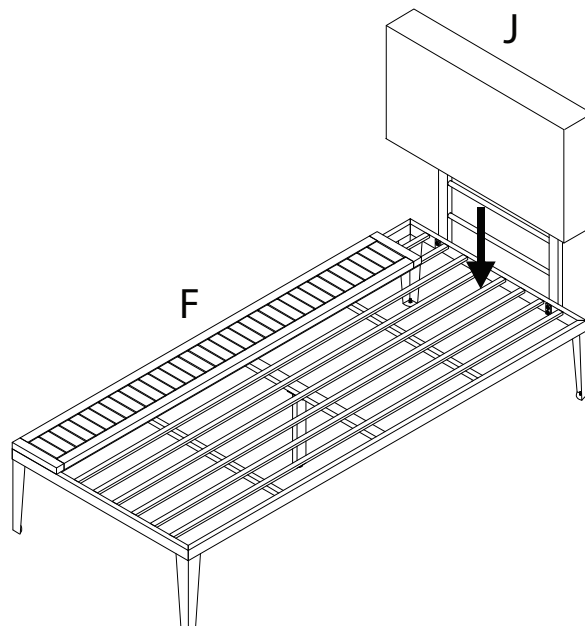
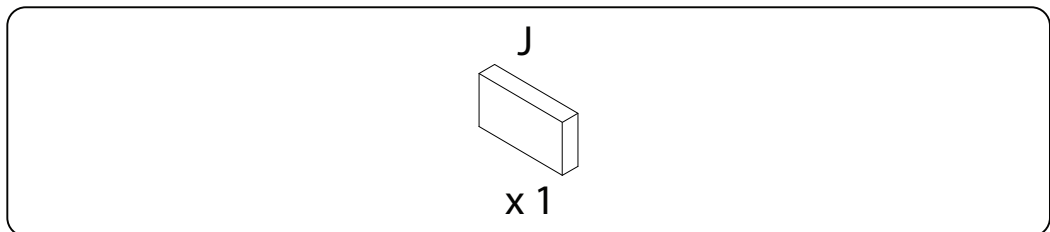
2



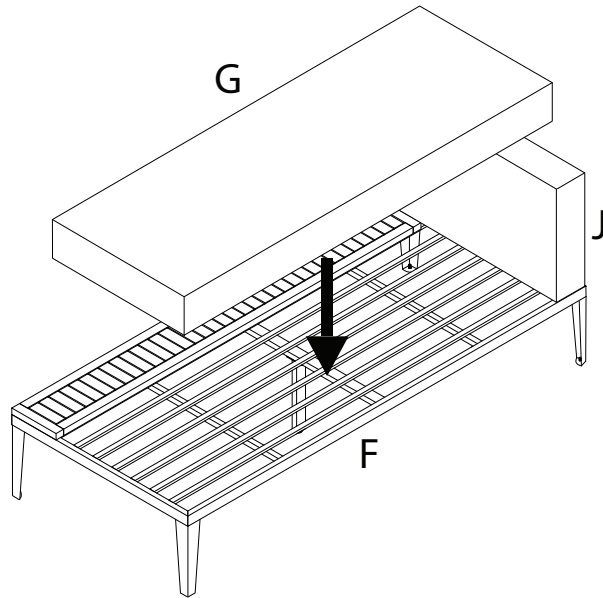
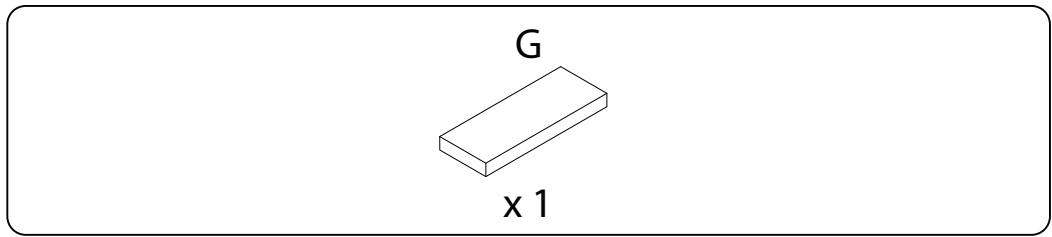
3



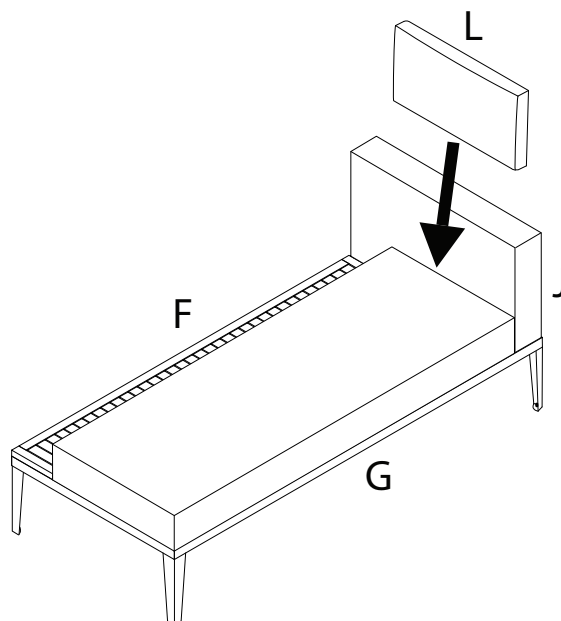
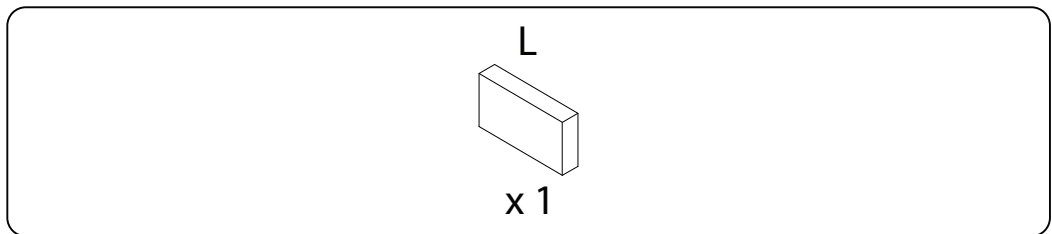
4



5



6



!

6



x 2

