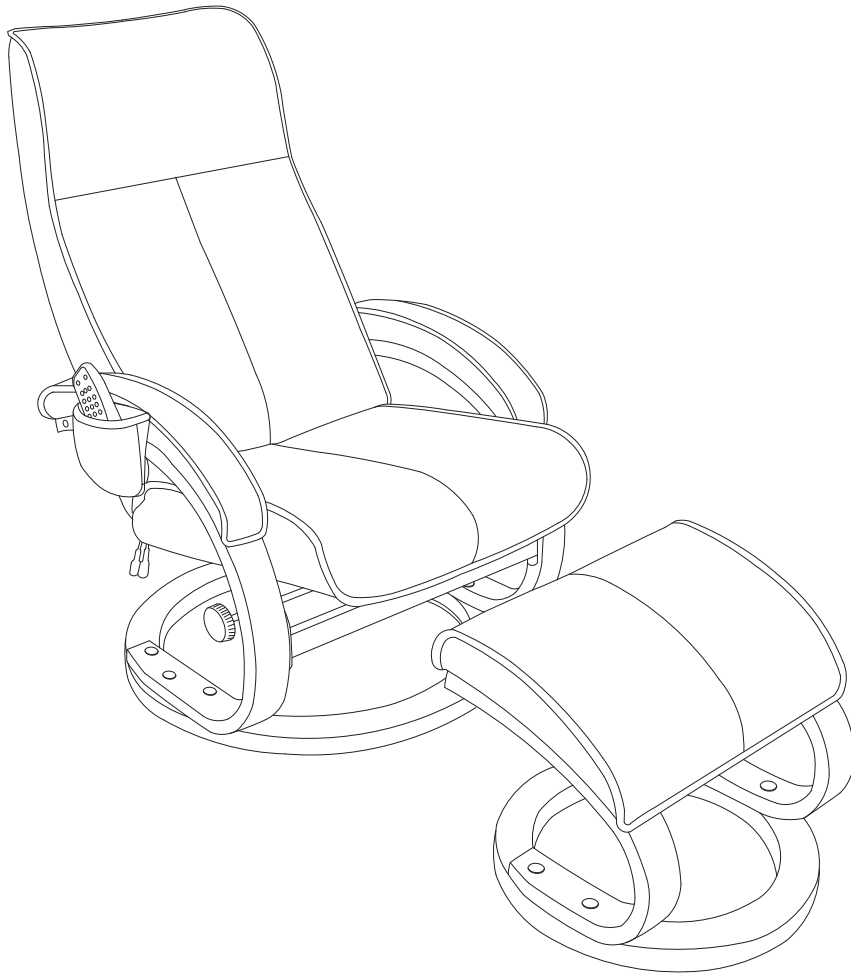


# HERO



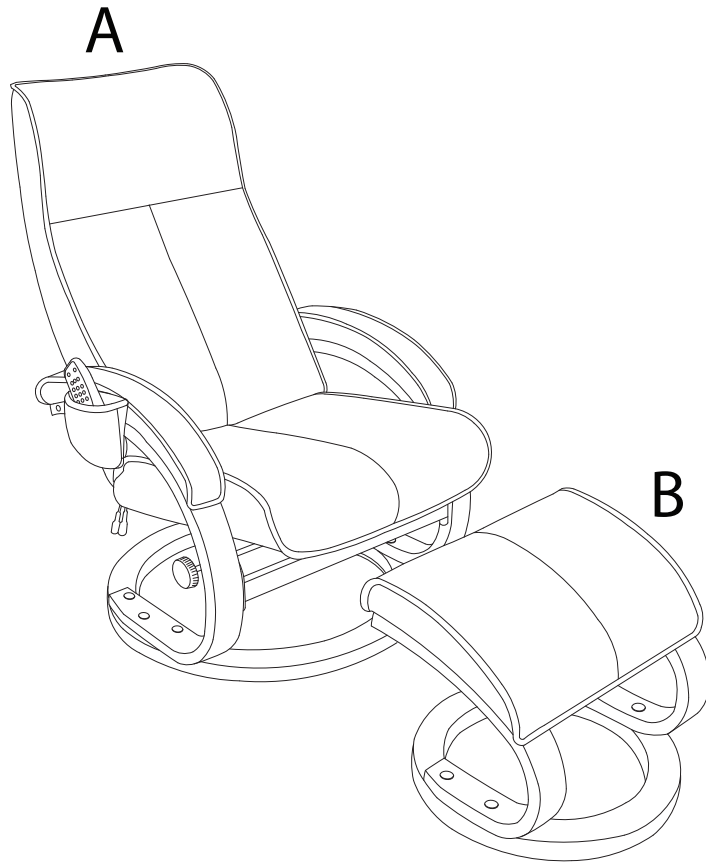
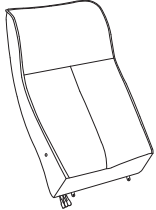

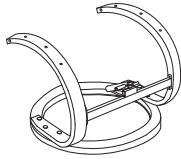

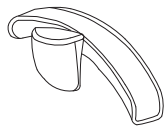
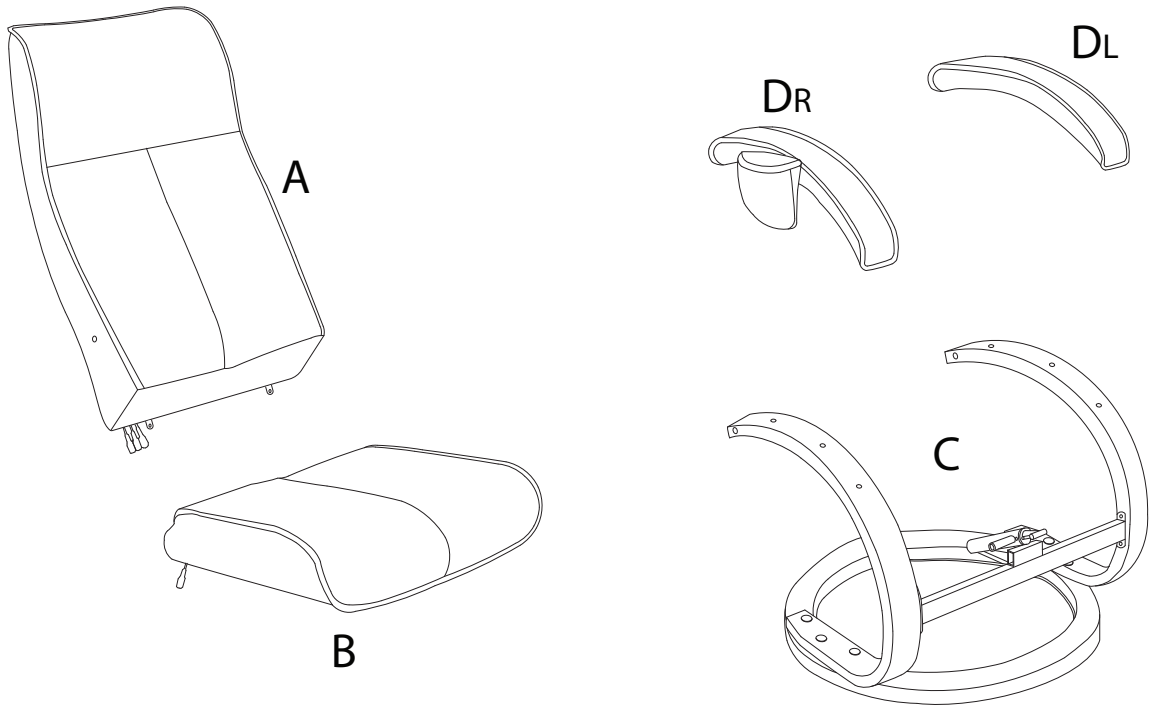


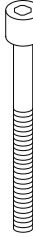


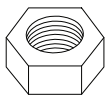


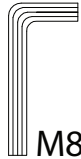
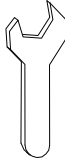

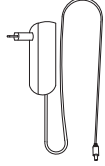
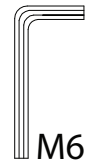

Diagram illustrating assembly instructions and safety warnings:

- Top Section:** Shows tools (hex key and wrench) and a crossed-out power drill, indicating that manual tools should be used. A warning triangle with an exclamation mark is present. To the right, a clock icon indicates a 20-minute assembly time.
- Bottom Section:** Shows a block being placed on a surface and a crossed-out block being placed on a surface, indicating that the chair should be placed on a flat, stable surface. A warning triangle with an exclamation mark is present. To the right, a person icon indicates that 2 people are required for assembly.



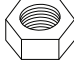
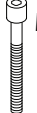


# A

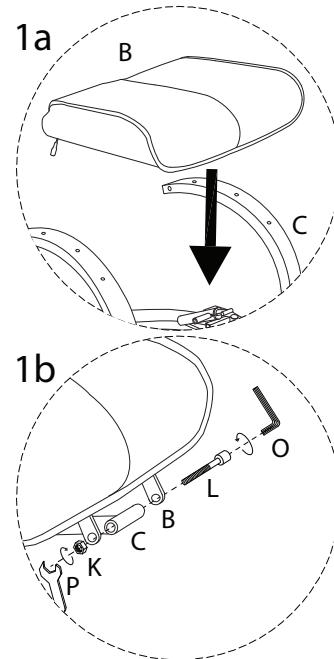
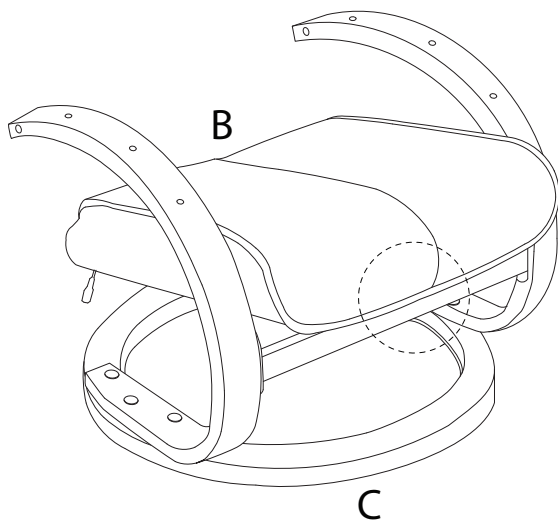
<p><b>A</b></p> 	<p><b>B</b></p> 	<p><b>C</b></p> 	<p><b>DL</b></p> 	<p><b>DR</b></p> 
<p><b>x 1</b></p>	<p><b>x 1</b></p>	<p><b>x 1</b></p>	<p><b>x 1</b></p>	<p><b>x 1</b></p>





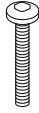

<p><b>G</b></p>  <p>M8 x 70</p>	<p><b>I</b></p>  <p>M8 x 25</p>	<p><b>J</b></p>  <p>M6 x 40</p>	<p><b>K</b></p> 	<p><b>L</b></p>  <p>M8 x 55</p>	<p><b>N</b></p> 
<p><b>x 2</b></p>	<p><b>x 2</b></p>	<p><b>x 6</b></p>	<p><b>x 3</b></p>	<p><b>x 1</b></p>	<p><b>x 1</b></p>
<p><b>O</b></p>  <p>M8</p>	<p><b>P</b></p> 	<p><b>Q</b></p> 	<p><b>R</b></p> 	<p><b>S</b></p>  <p>M6</p>	<p><b>U</b></p> 
<p><b>x 1</b></p>	<p><b>x 1</b></p>	<p><b>x 1</b></p>	<p><b>x 2</b></p>	<p><b>x 1</b></p>	<p><b>x 1</b></p>

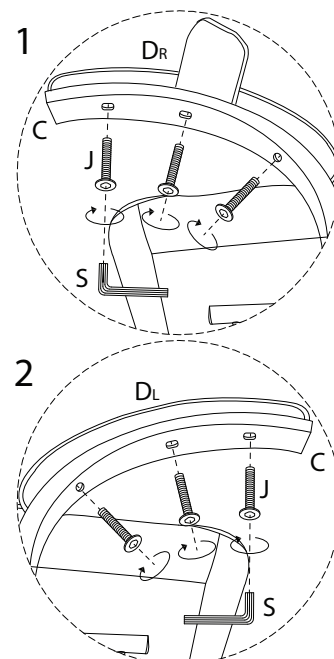
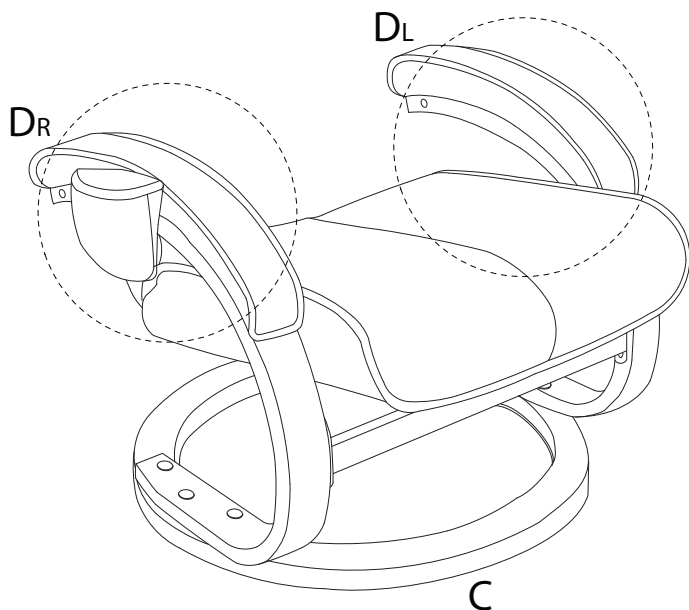
1

<b>B</b>  x 1	<b>C</b>  x 1	<b>K</b>  x 1	<b>L</b>  M8 x 55 x 1	<b>O</b>  M8 x 1	<b>P</b>  x 1
--	--	--	---	--	--

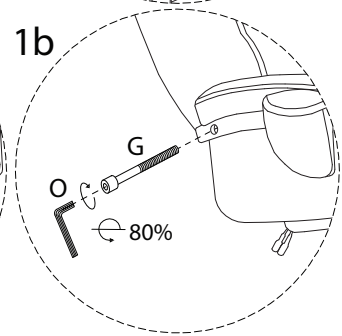
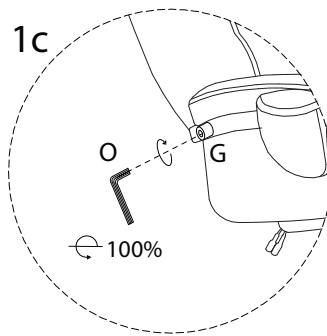
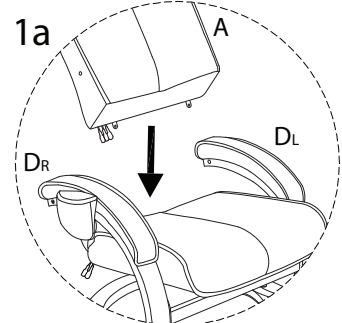
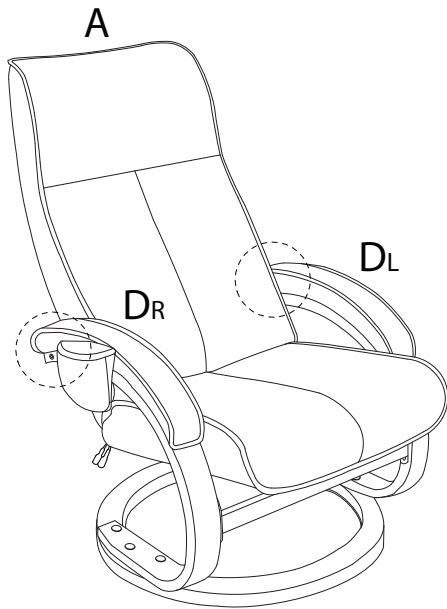
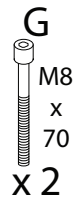


2

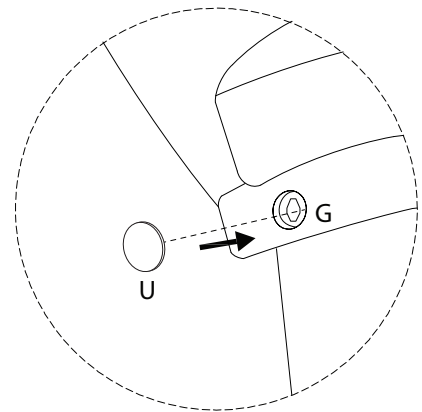
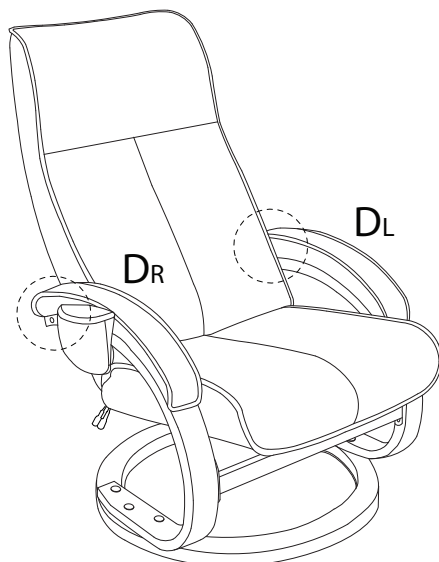
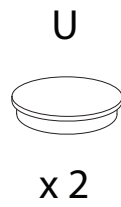
<b>DL</b>  x 1	<b>DR</b>  x 1	<b>J</b>  M6 x 40 x 6	<b>S</b>  M6 x 1
---	---	--	--



3



4



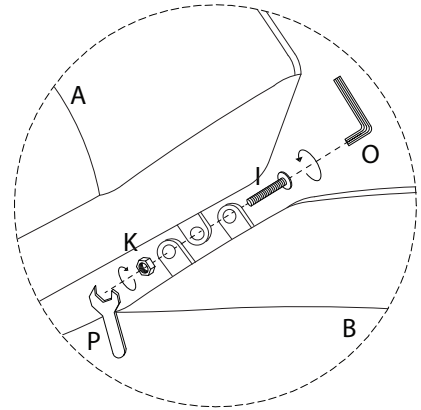
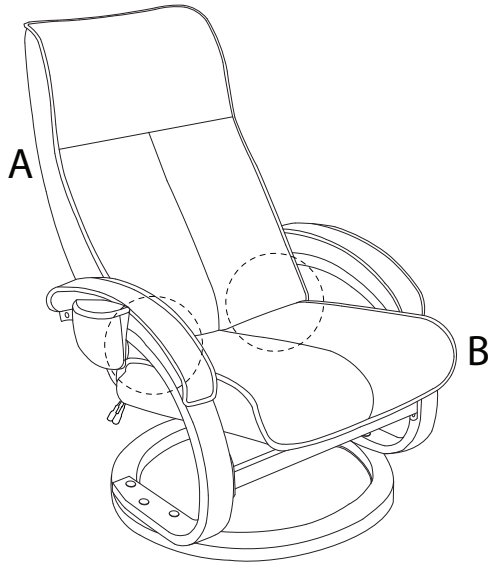
5

I  
M8  
x  
25  
x 2

K  
x 2

O  
M8  
x 1

P  
x 1

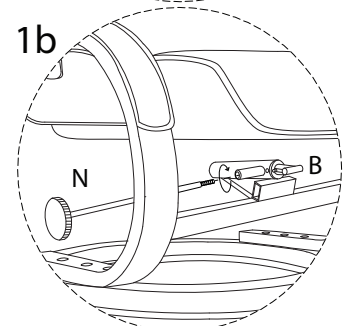
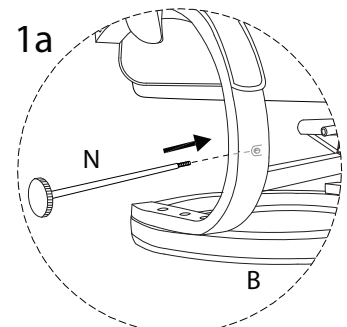
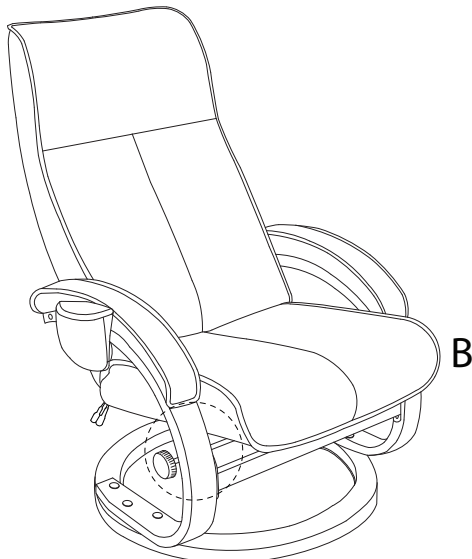


6

N

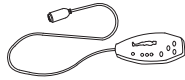


x 1



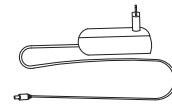
7

Q

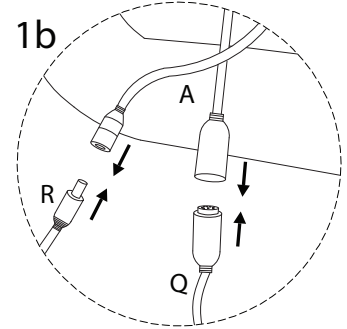
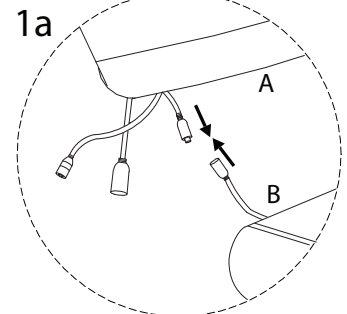
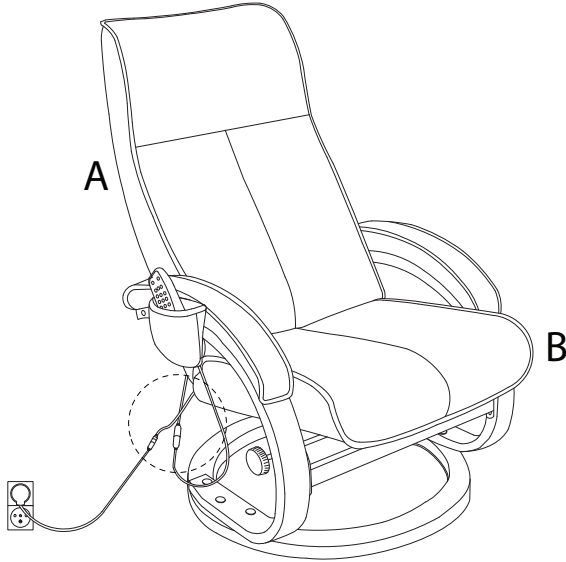


x 1

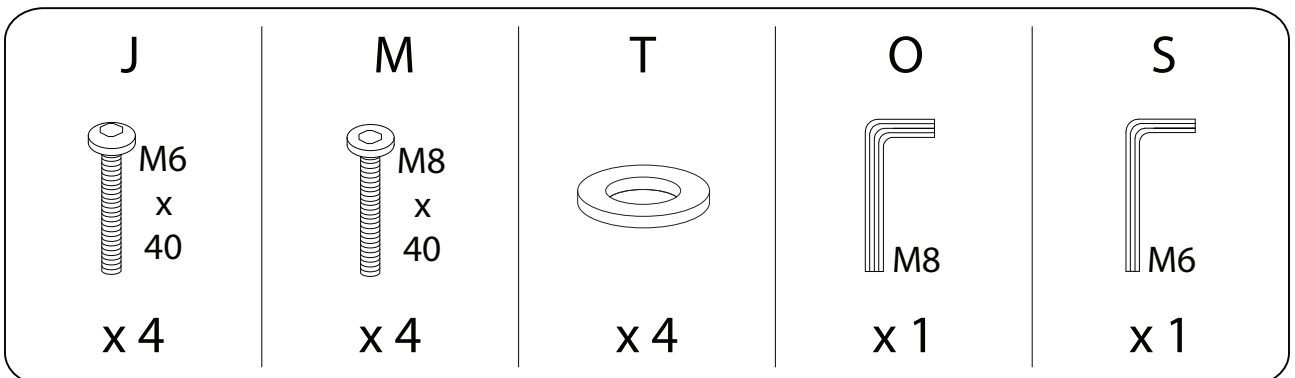
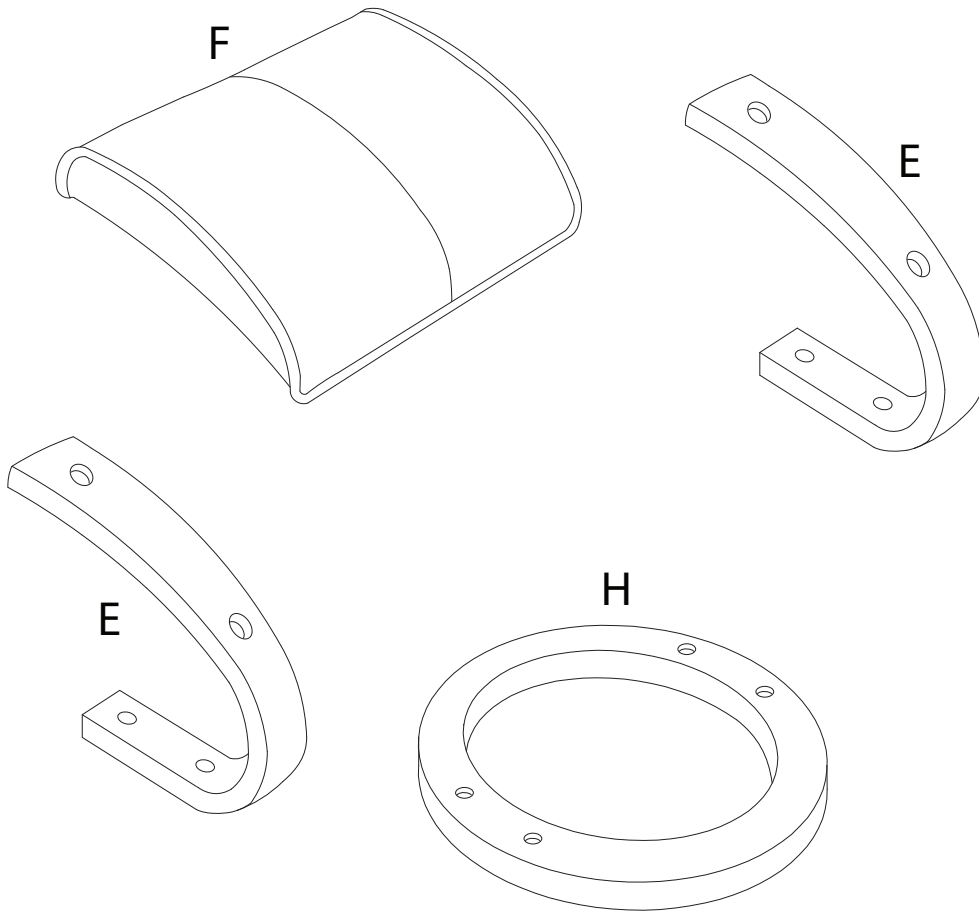
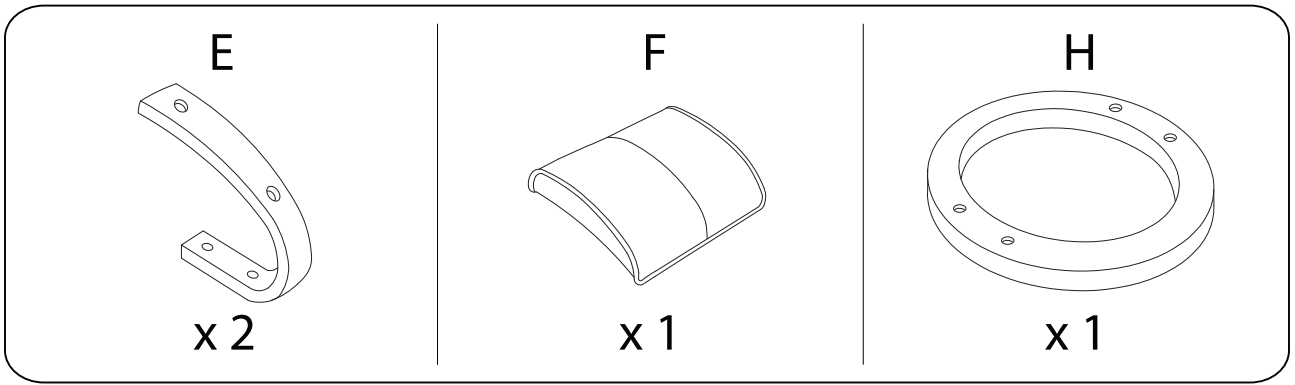
R



x 1

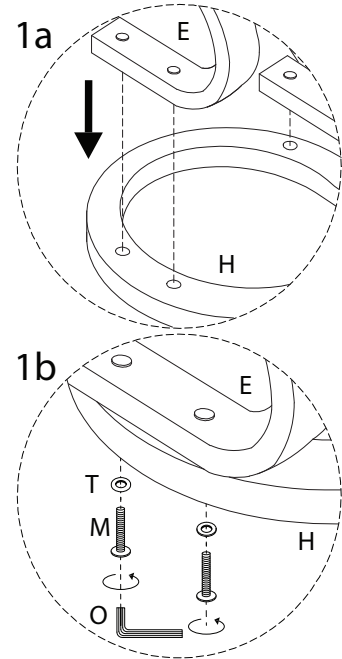
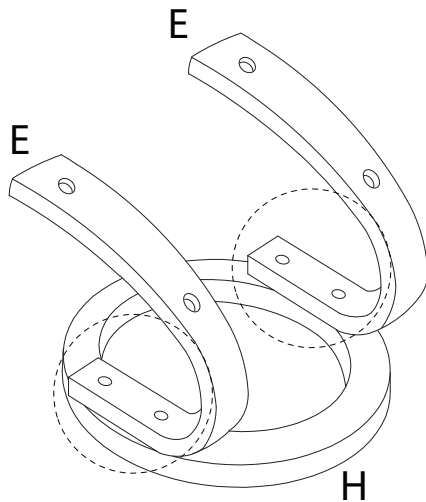
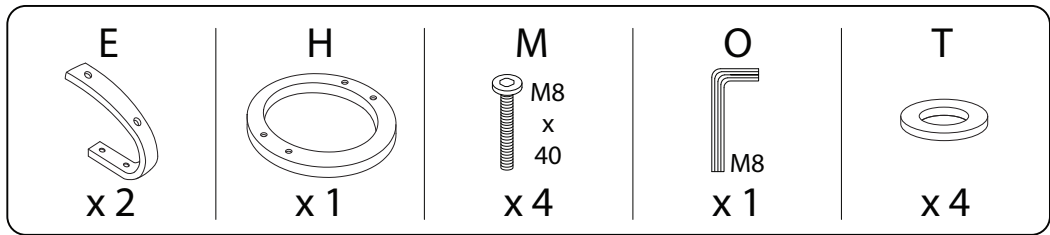


# B





1



2

