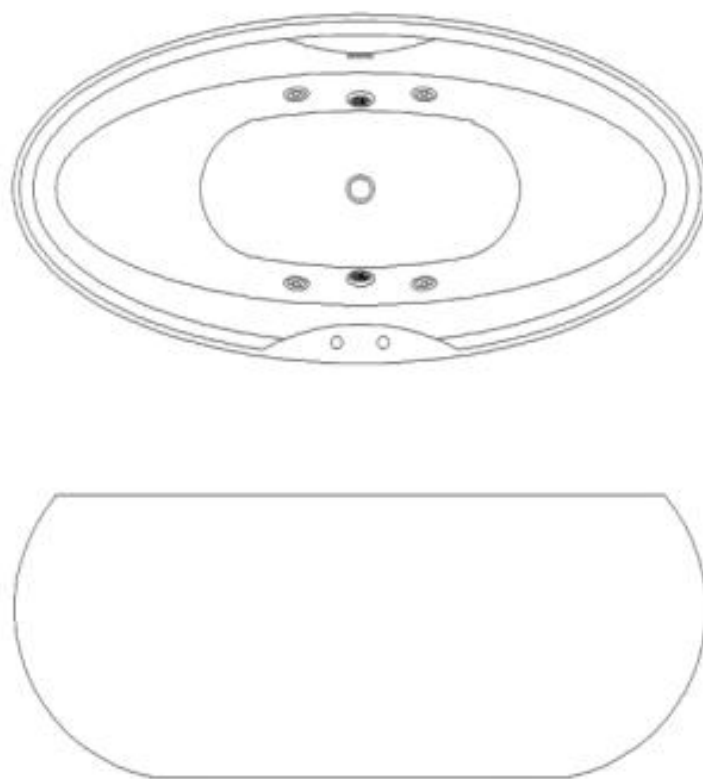


RL-MF1204

Operating Instruction Manual



Size:1800X1000X600mm

Catalogue

1. Safety Notes	
1.1. Precautions.....	1
2. Introduction	
2.1. Appearance.....	2
2.2. Working Principle.....	4
3. Installation Instruction	
3.1. Water And Electricity Installation.....	5

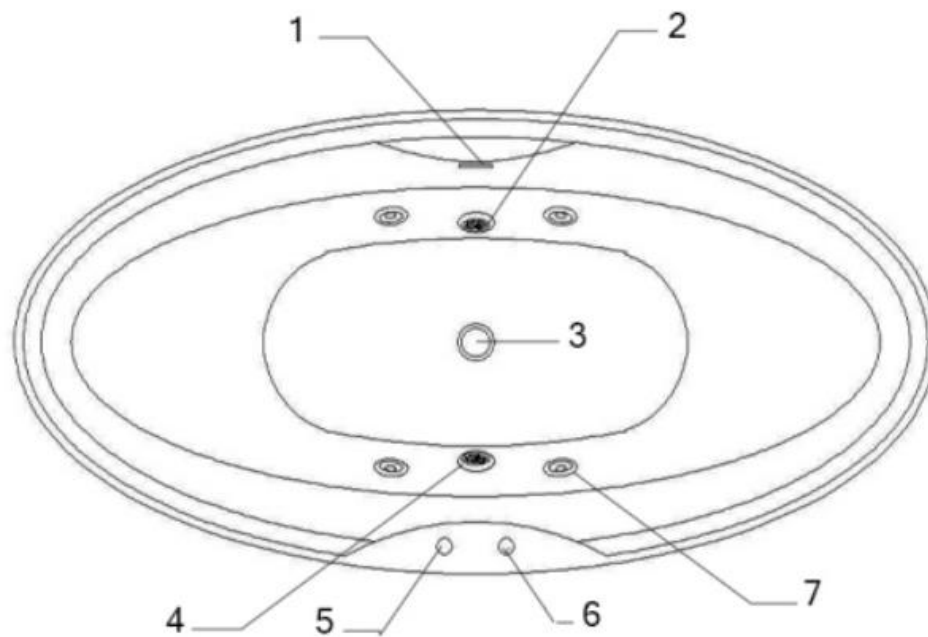
1. Safety Notes

1.1. Precautions!

- ◆ Please read this instruction carefully before using.
- ◆ Children need to be accompanied by an adult to use the product.
- ◆ Please do not disassemble the products' skirt freely if you are non-professionals to avoid damage to the products.
- ◆ Please do not disassemble or fix or maintain the electrical part yourself if you are non-professionals to avoid accident.
- ◆ There must be reliable grounding measures before accessing the power supply.
- ◆ It is recommended to have glass glue on the bottom side to prevent bathtub moving.
- ◆ Make sure the ground plug for pump is well protected and the plug location should be under the bathtub and far away the waste hole.

2. Introduction

2.1. Appearance



Sequence	Brief introduction	Number (PCS)	Sequence	Brief introduction	Number (PCS)
1	Overflow	1	5	Button	1
2	Underwater LED Light	1	6	Adjust Switch	1
3	Drain	1	7	90°jets	4
4	Return water	1			

2.2. Working Principle

As the main parts of this product, electrical parts contain one 0.70KW one speed hydro massage Jet pump ,which provide you with comfortable and stable water pressure. It is allowed to adjust water pressure and water flow to meet the requirements of different customers with the switches on the edge of the bathtub. Besides, this product is also equipped with underwater LED light and hope man-machine interactive convenient operation can bring you a happy mood.

Supply Voltage: AC220-AC240V 50HZ

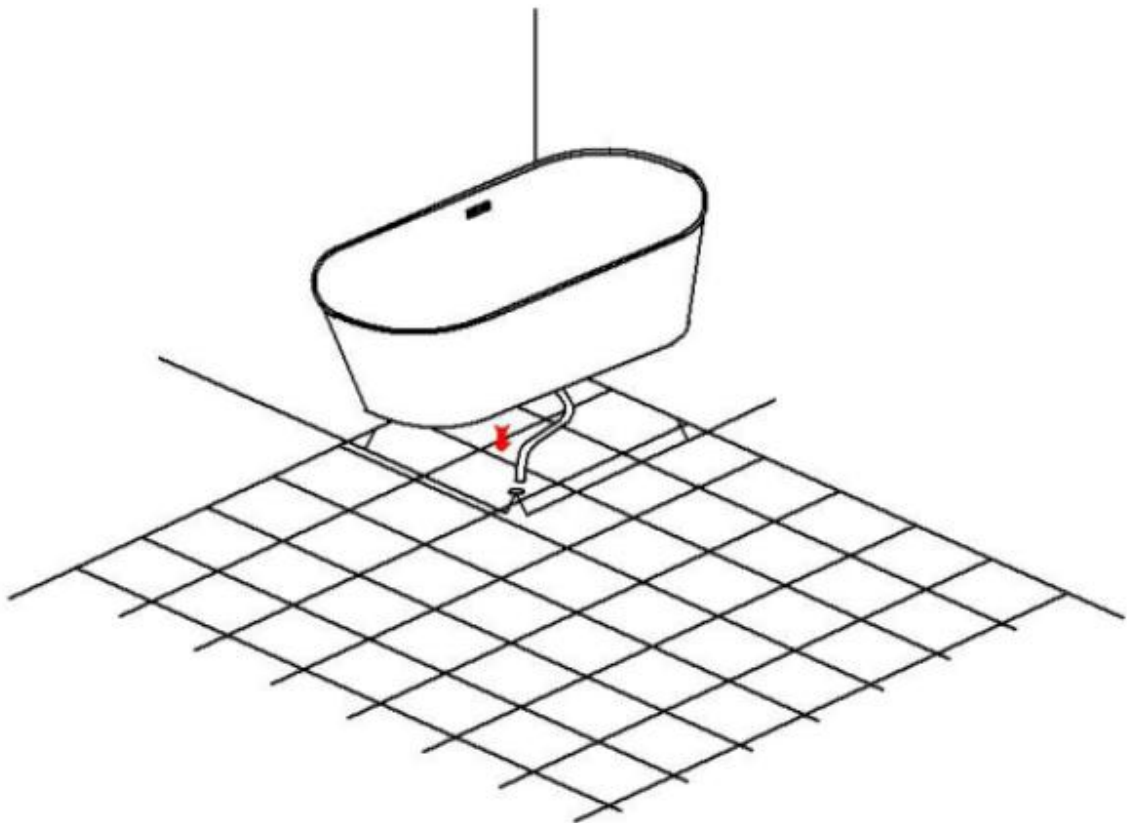
List of major electrical appliances:

Name	Rated voltage	Rated current (A)	Rated power (KW)	Number
WATER PUMP	AC220-AC240V 50HZ	3.1	0.70	1

3. Installation Instruction

STEP:1

1. make sure the waste hole on the floor near the waste in the bathtub ,and the waste hose (approximately 1.5 meter) can get to the waste hole.
2. Make sure the ground plug for pump is well protected and the plug location should be under the bathtub and far away the waste hole.



STEP:2

1. Adjust the bathtub feet to make it standing steadily.
2. Make sure the waste hose inset the waste hole correctly
3. Do a water test for pump and drainage: get pump plugged with safe electricity; fill the bathtub with water; turn on the pump to check pump function, then check that all the water flow freely to the waste outlet.

A small amount of water may become a pool owing to surface tension

4. Use silicone to fix the bathtub on dry ground.
5. Leave the silicone dry for 48hours. Use the bathtub after silicone dry.

