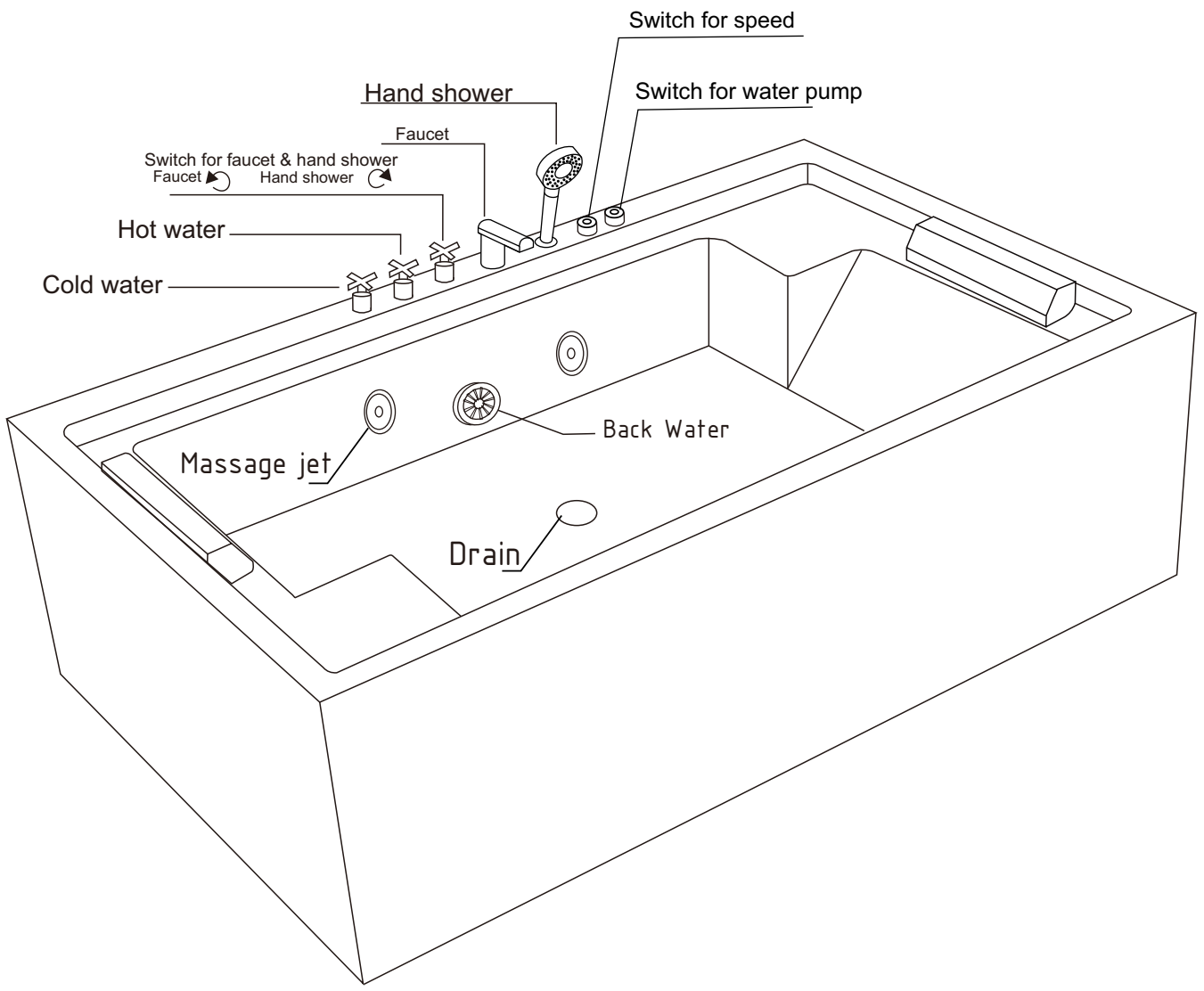
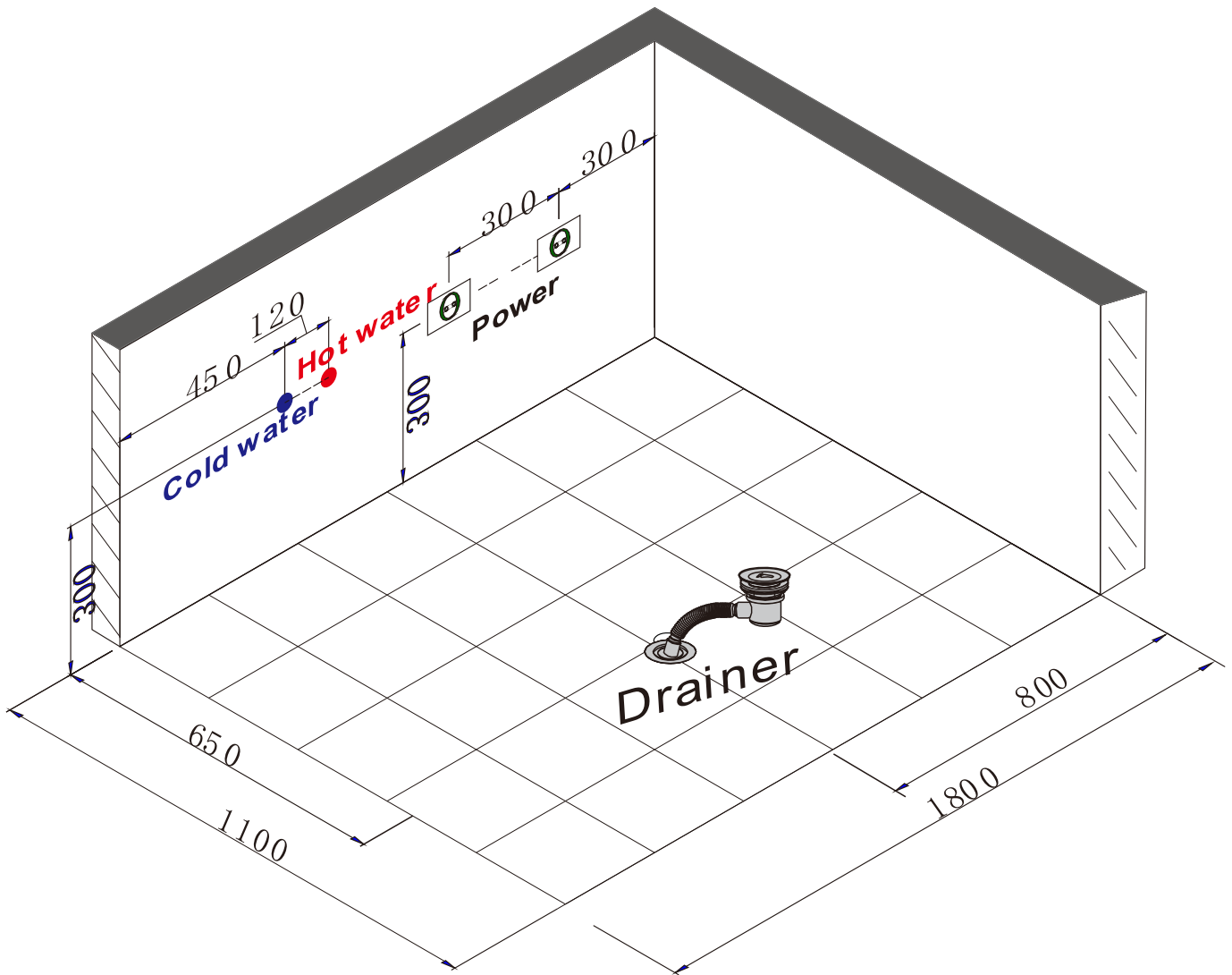



13933

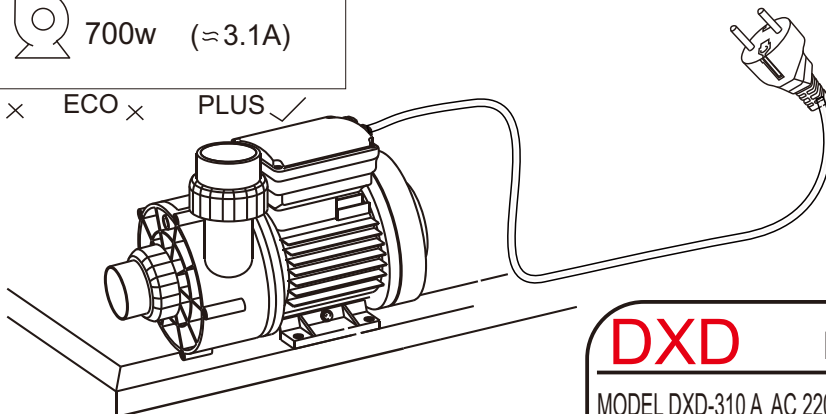
1800x1100x590 mm





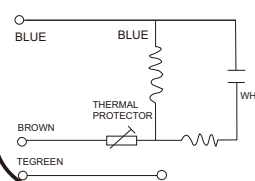

 + 700w ( $\approx 3.1A$ )




VITAL  ECO  PLUS




**DXD PUMP**

MODEL DXD-310 A AC 220-240V 50Hz 700W CLASS B IPX5  
 MAX WATER TEMPERATURE 50C 15u F/450V Hmin 1m




 Mround properly!  
 Do Not Start Pump  
 Without Water!

