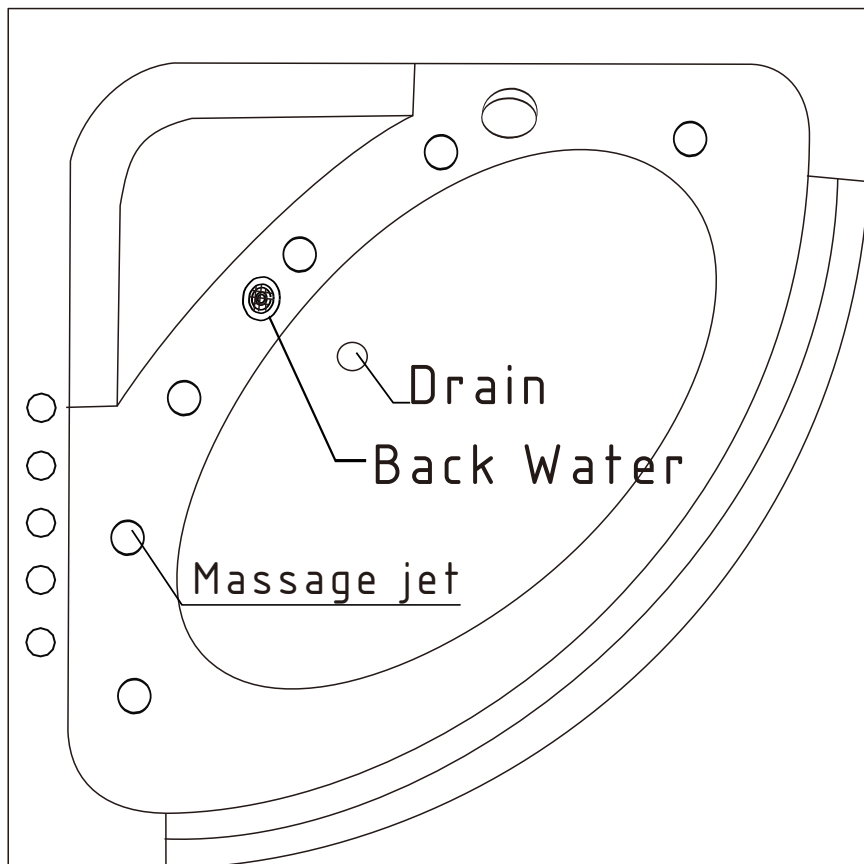
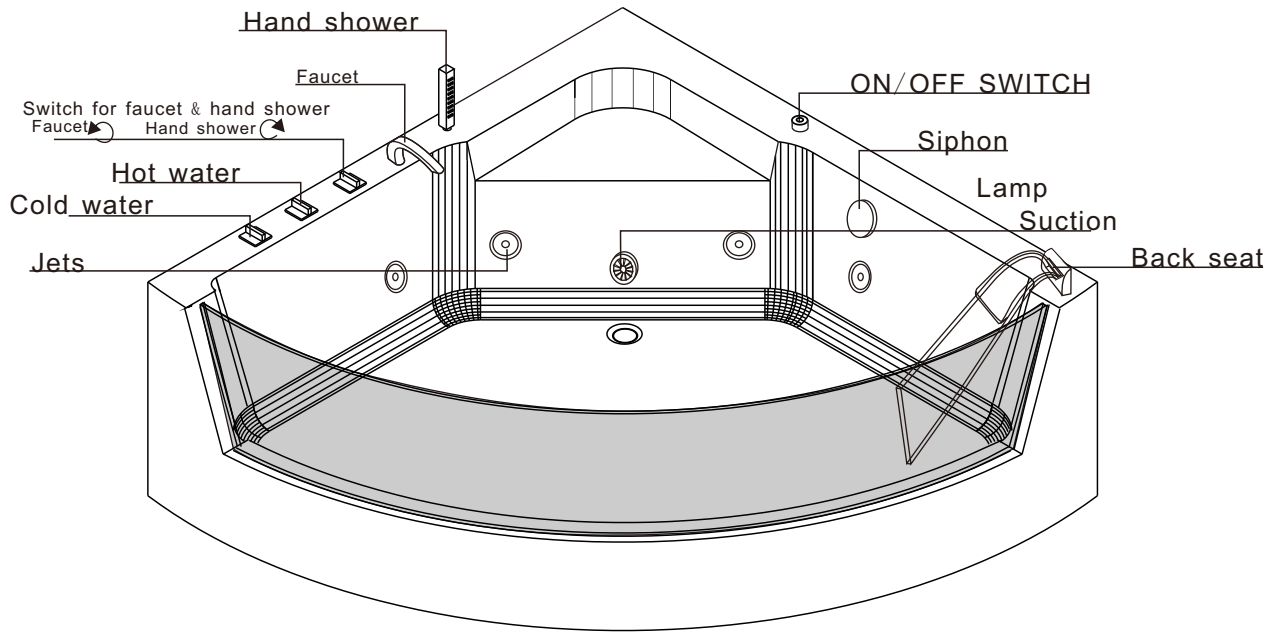
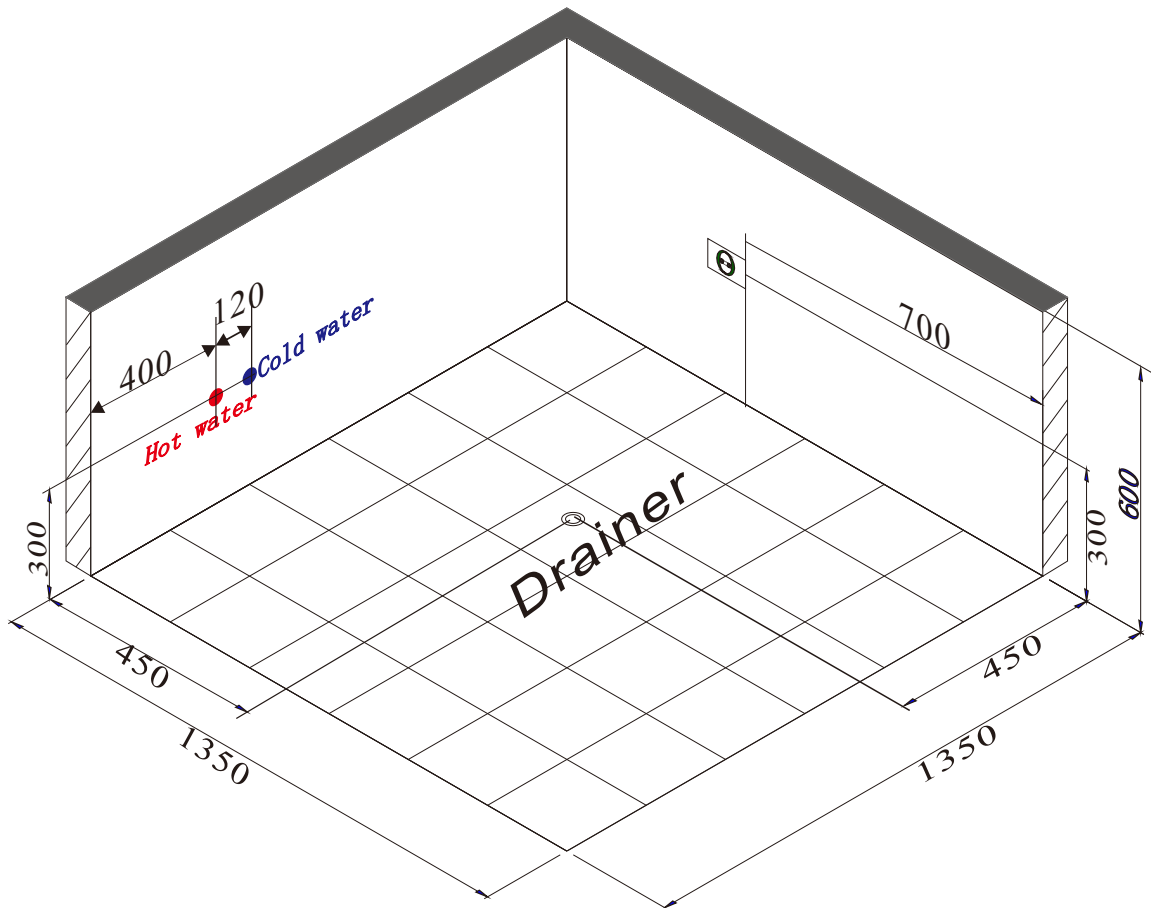



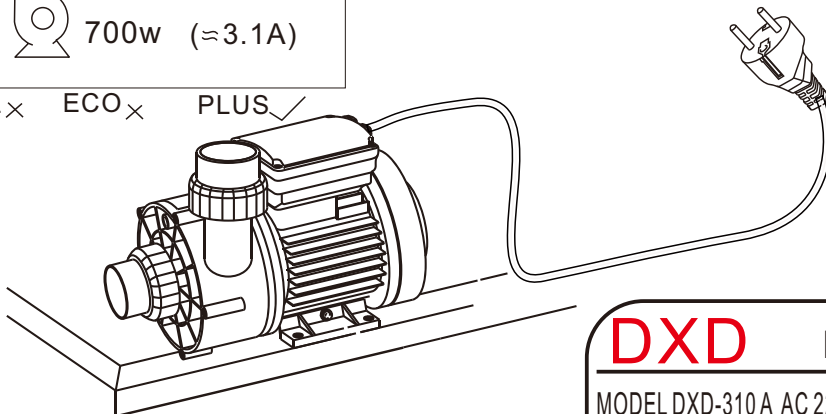
C-3130

1350x1350x590 mm





+  700w ($\approx 3.1A$)
 VITAL ECO PLUS



DXD PUMP




MODEL DXD-310 A AC 220-240V 50Hz 700W CLASS B IPX5
 MAX WATER TEMPERATURE 50C 15u F/450V Hmin 1m


BLUE BLUE

BROWN THERMAL PROTECTOR

TEGREEN

WHITE



**Mround properly!
Do Not Start Pump
Without Water!**

