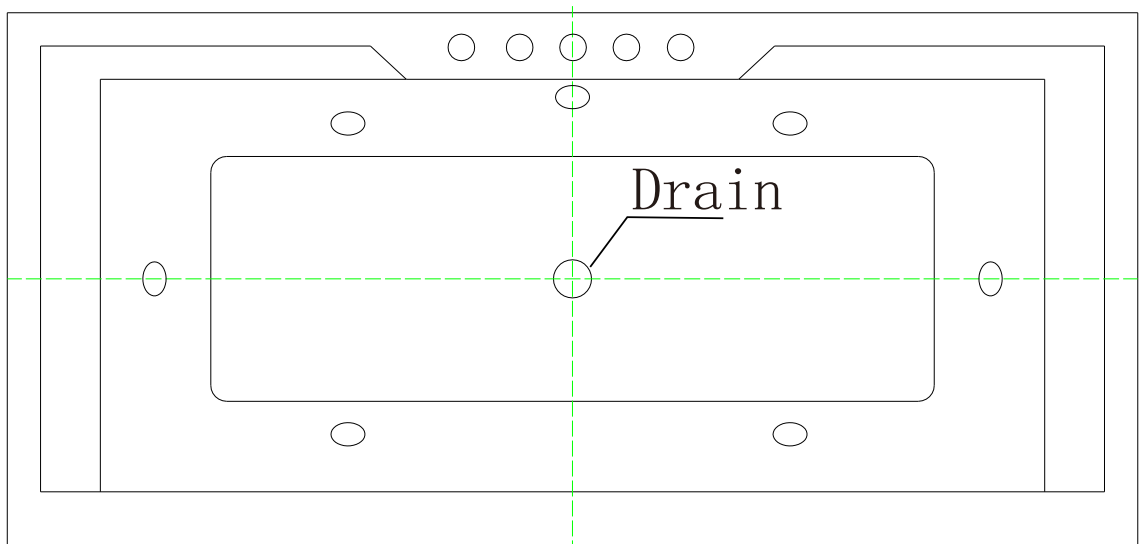
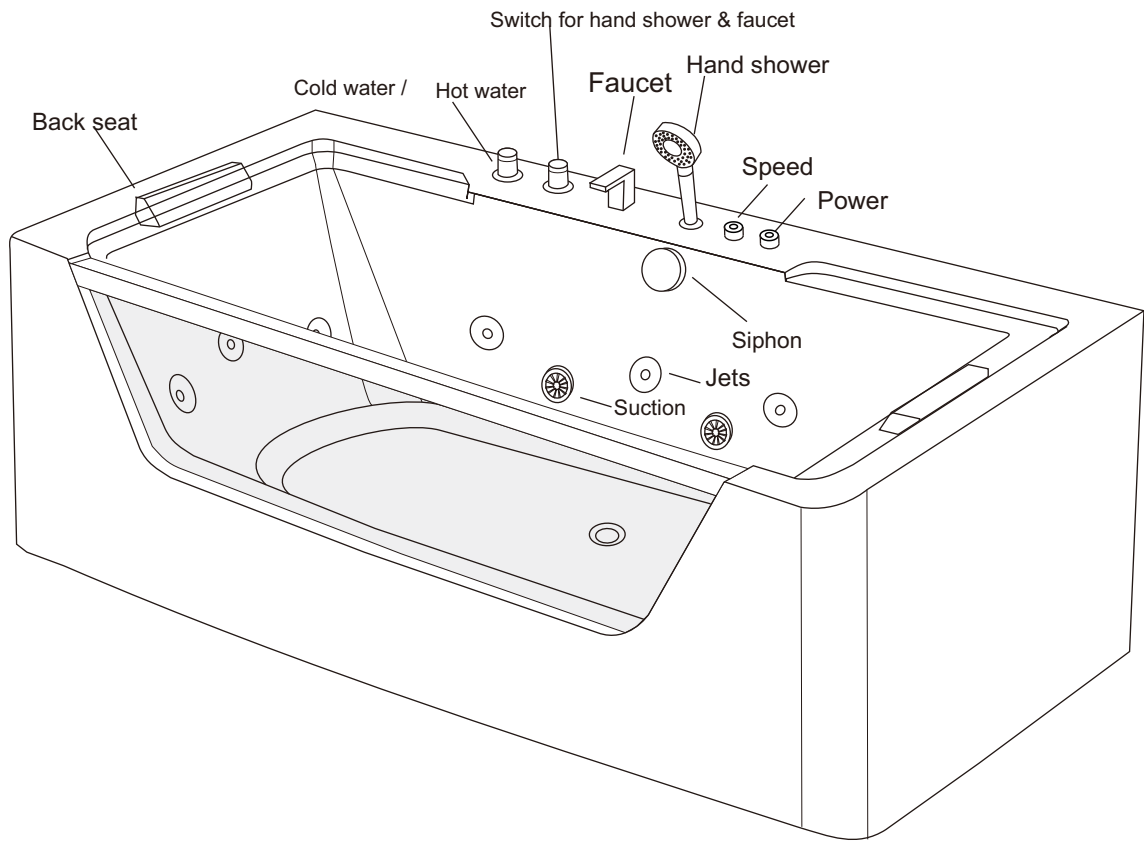
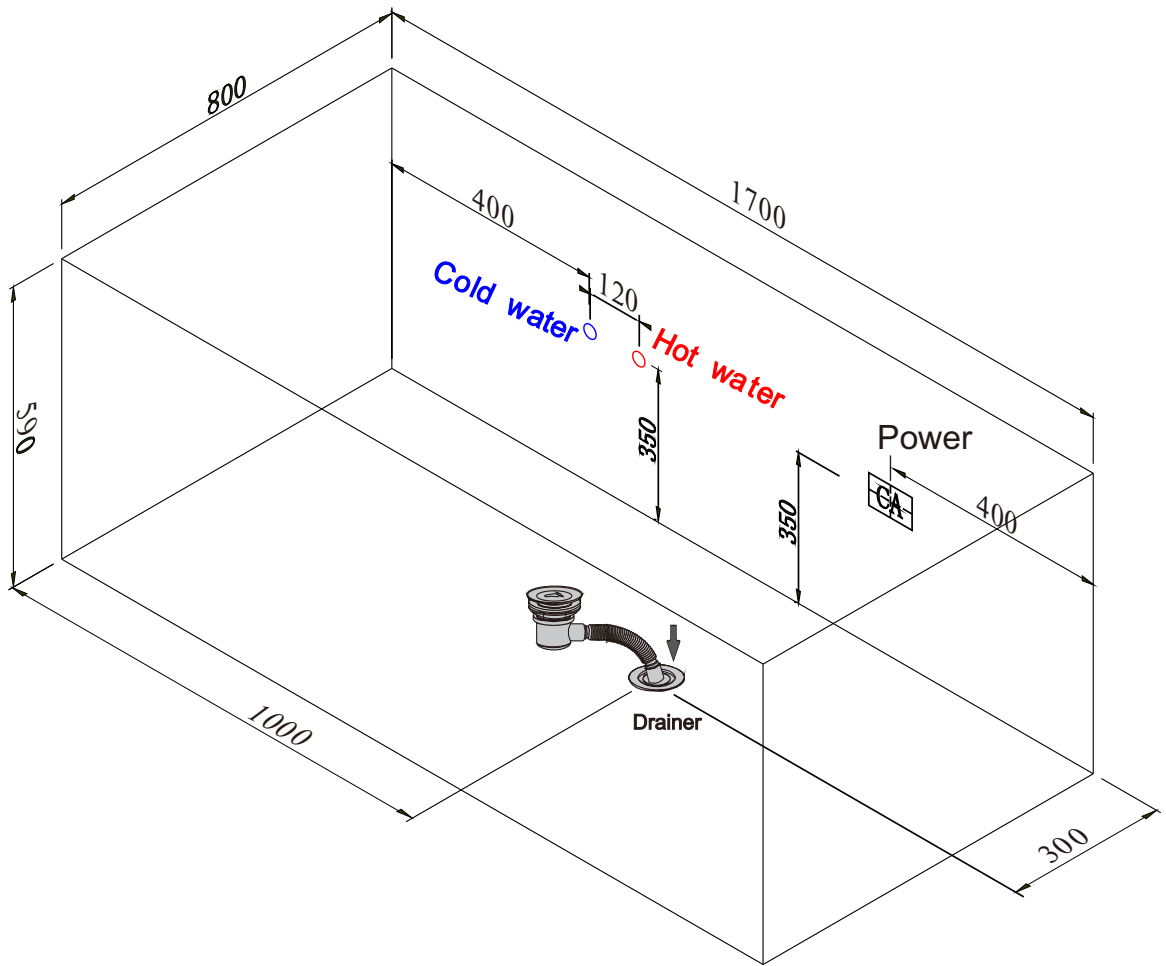



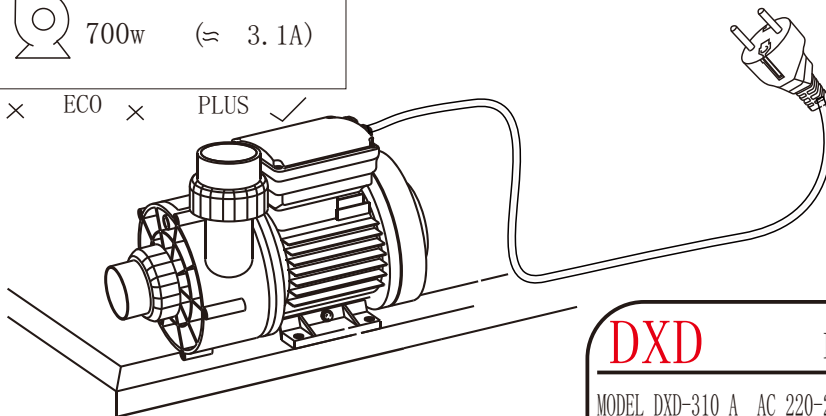
2318  
800x1700x590mm





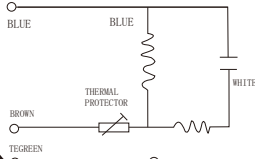
+  700w (≈ 3.1A)




VITAL × ECO × PLUS ✓




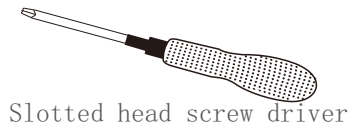
**DXD PUMP**

MODEL DXD-310 A AC 220-240V 50Hz 700W CLASS B IPX5  
 MAX WATER TEMPERATURE 50C 15μ F/450V Hmin 1m

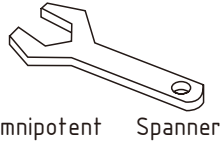


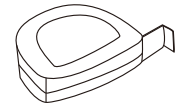

 Mround properly!  
 Do Not Start Pump  
 Without Water!



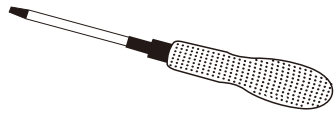
Slotted head screw driver



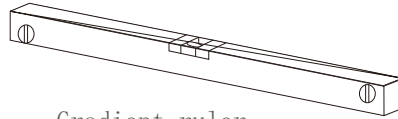
Omnipotent Spanner



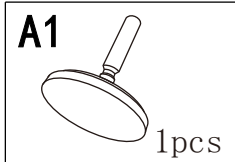
Tape measure



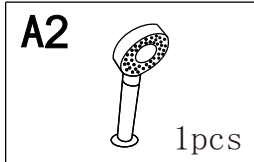
Cross head screw driver



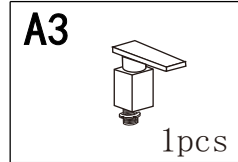
Gradient ruler



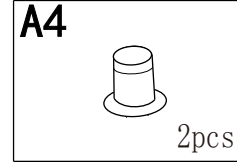
1pcs



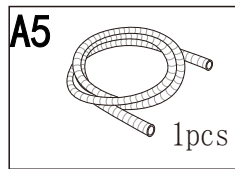
1pcs



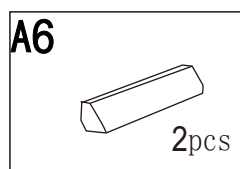
1pcs



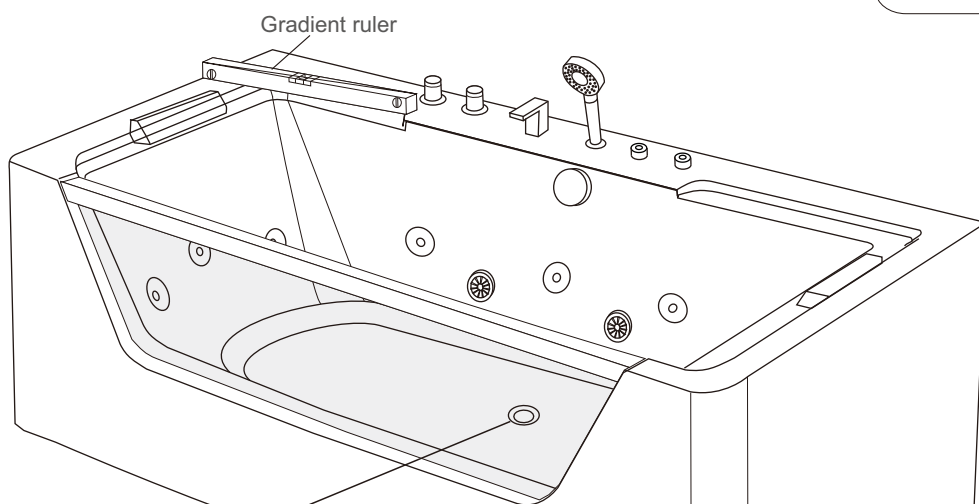
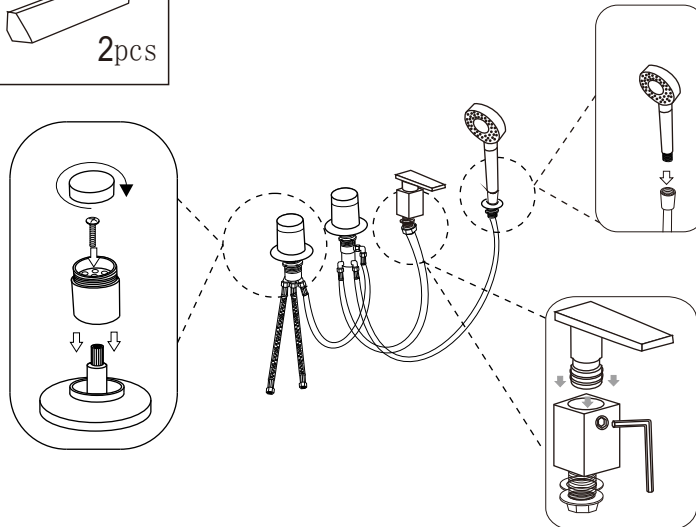
2pcs



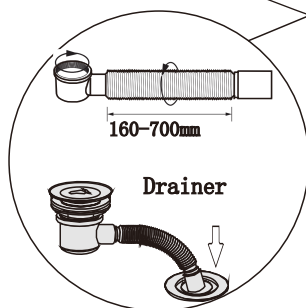
1pcs



2pcs

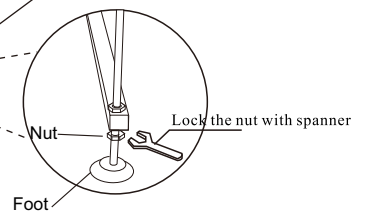


Gradient ruler



160-700mm

Drainer



Nut

Lock the nut with spanner

Foot