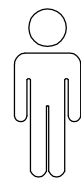
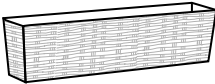



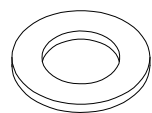


10'

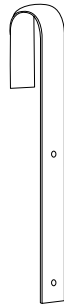
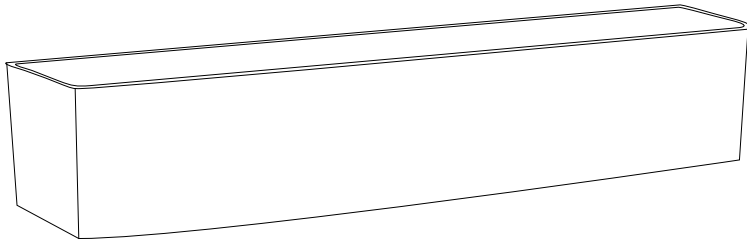


1

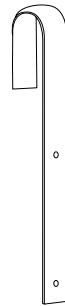
1/4

A	B	C	D	E
				
x 1	x 1	x 2	x 4	x 4

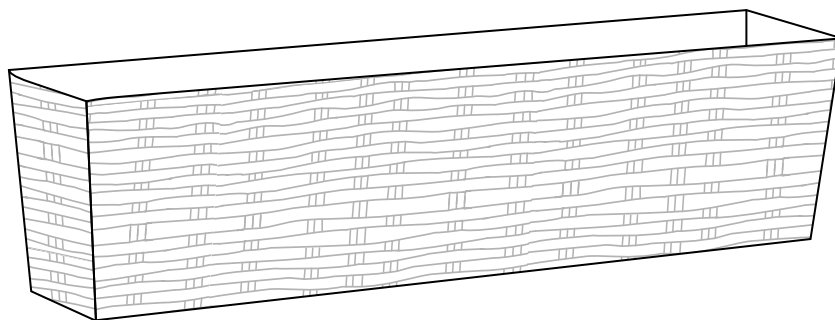
B



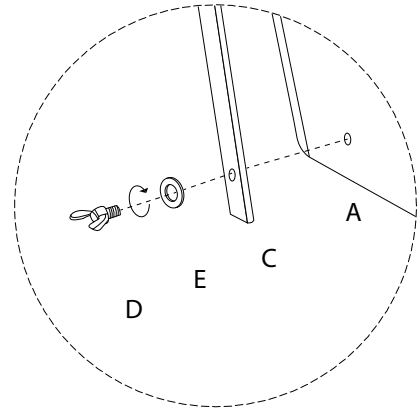
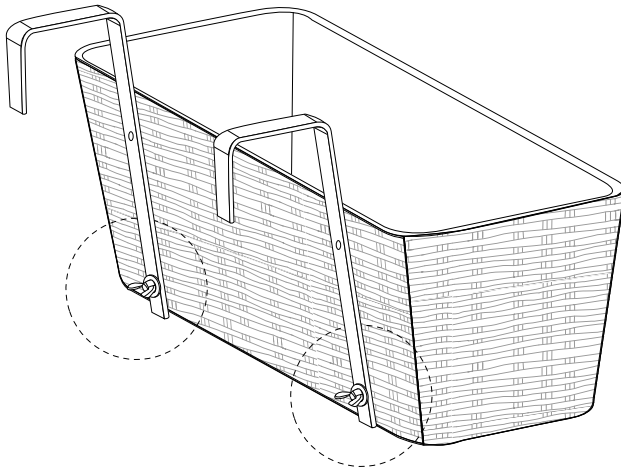
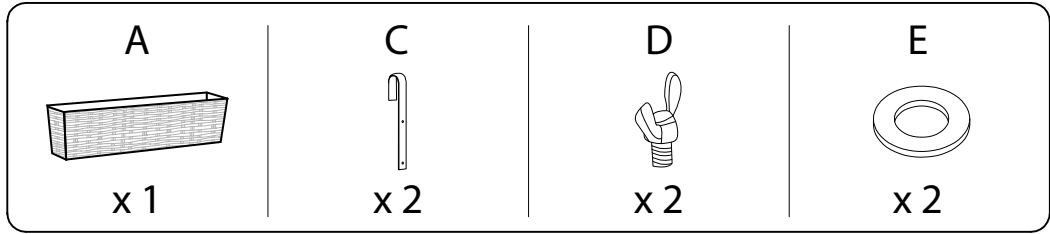
C x 2



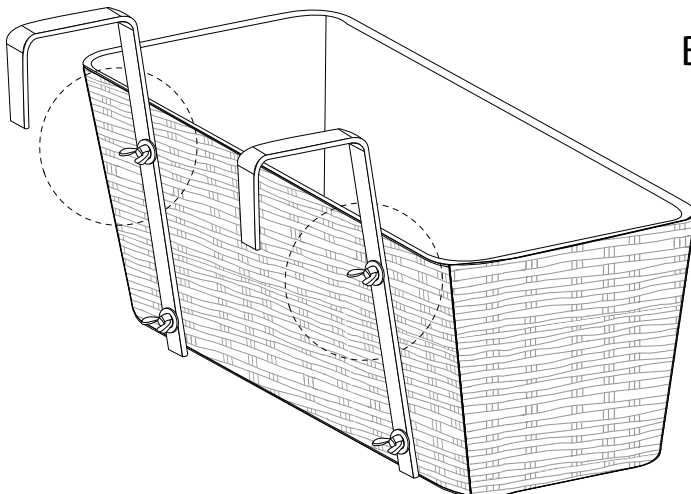
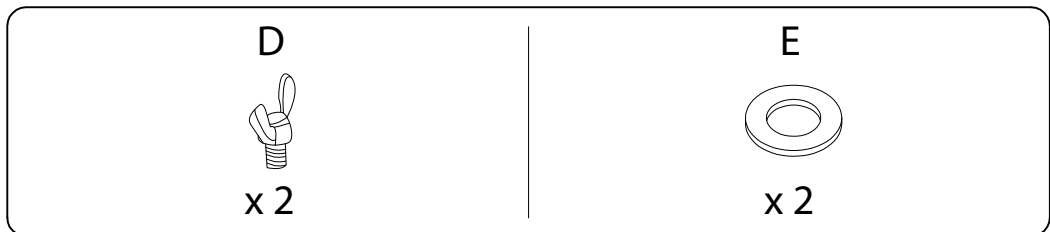
A



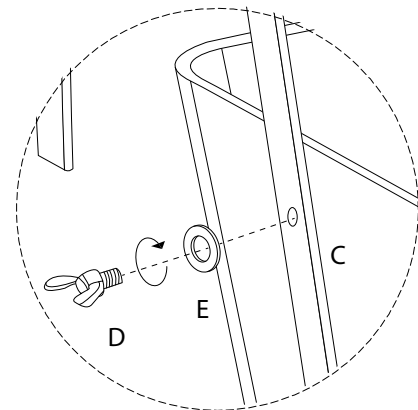
1



2



B



3

