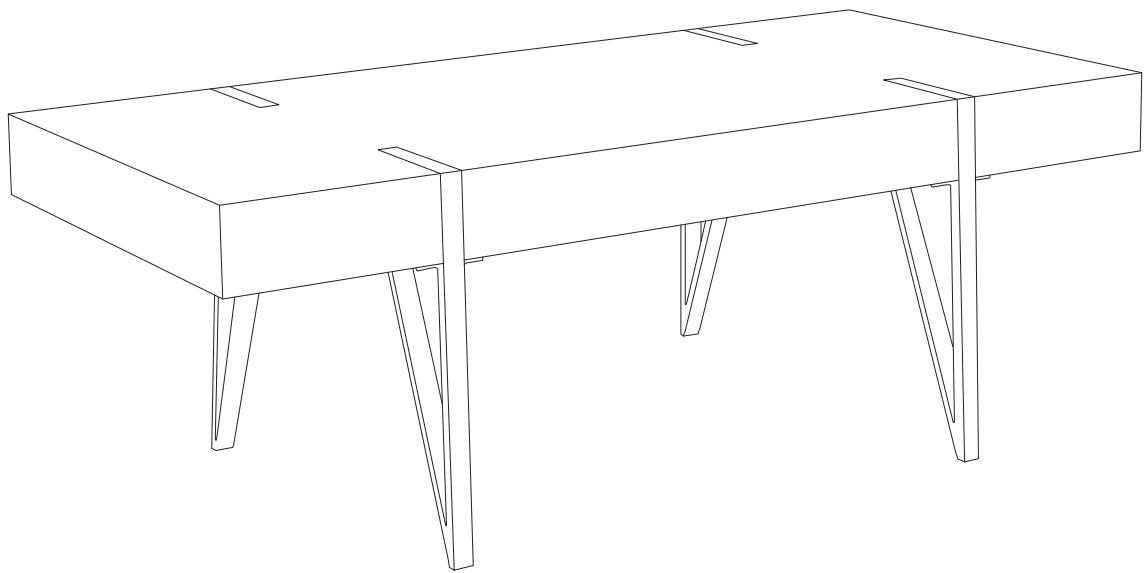


ADENA



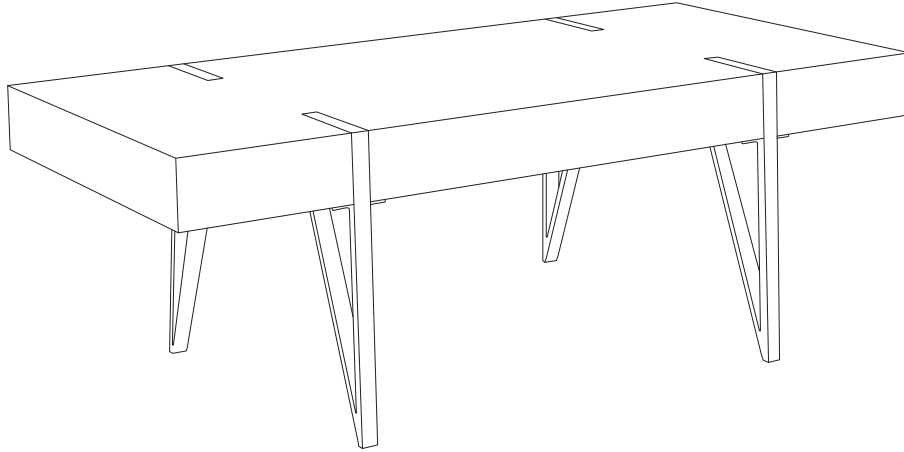
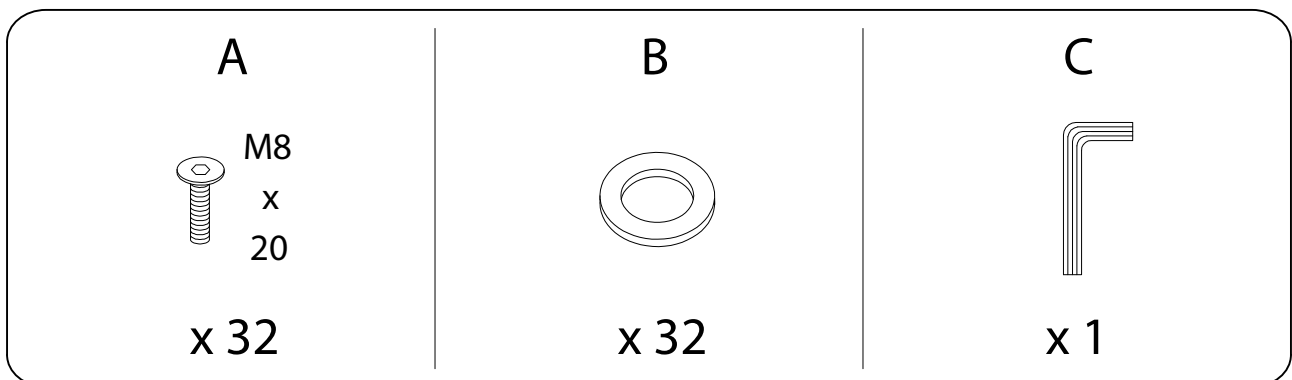
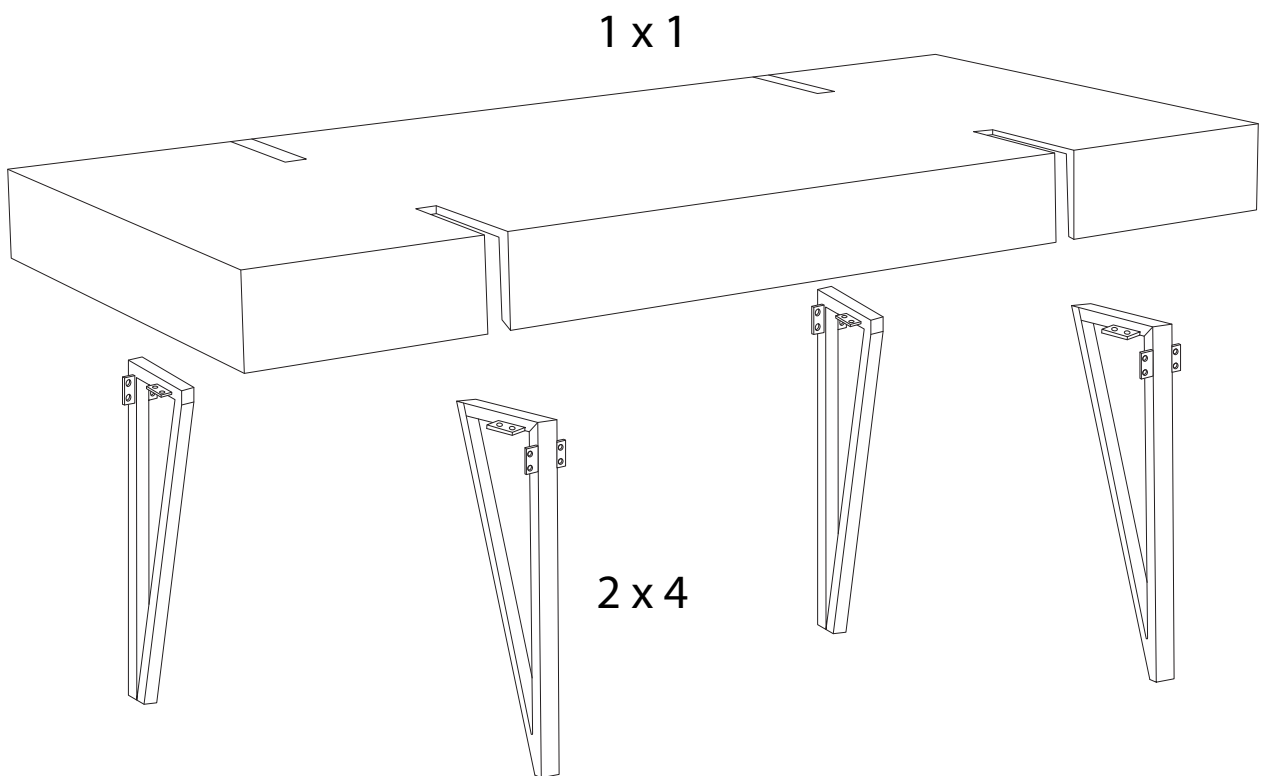
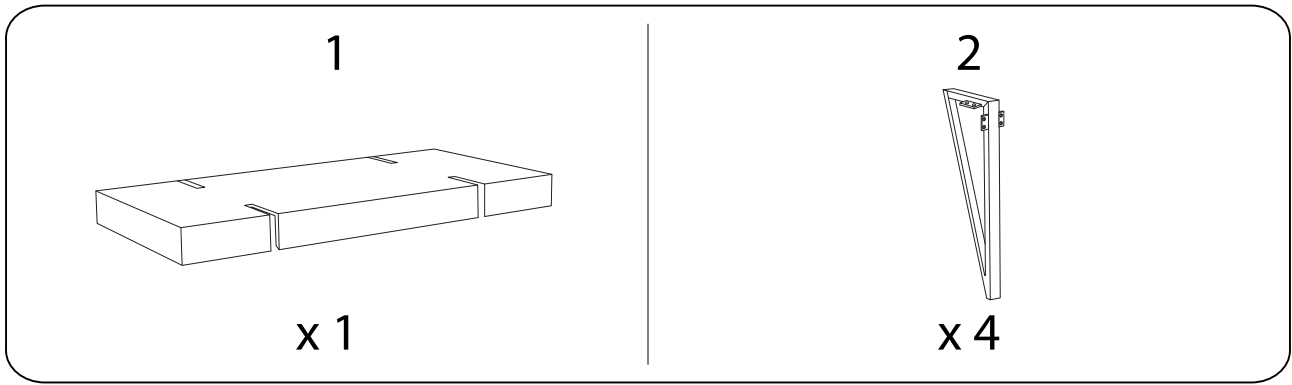
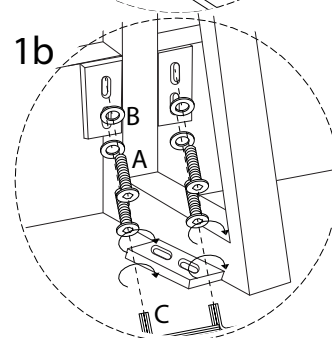
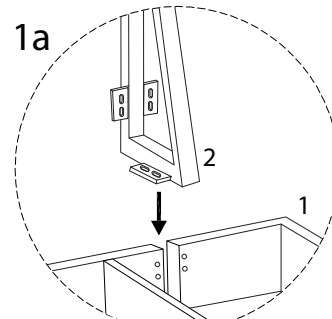
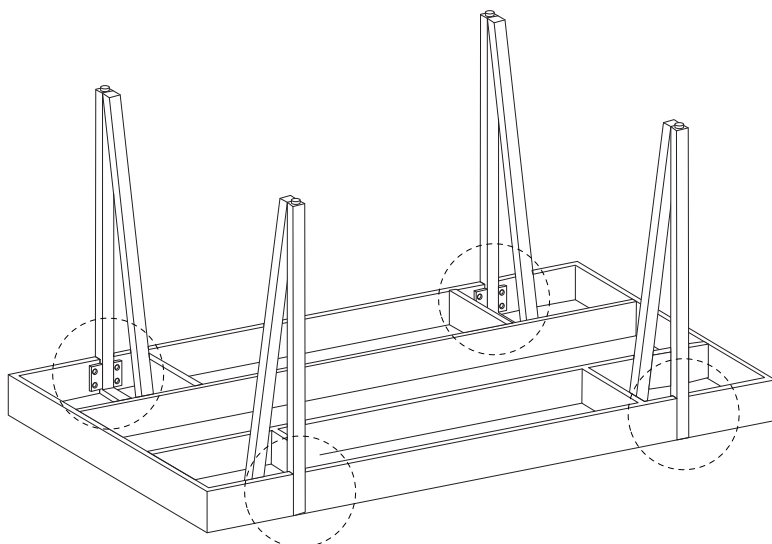
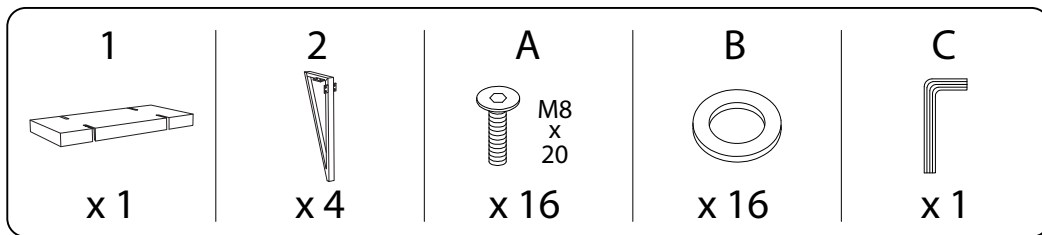


Diagram illustrating assembly steps and safety warnings:

- Top Step:** Shows an L-shaped bracket being inserted into a hole in the table top. A power drill is shown with a diagonal line through it, indicating it should not be used on this part. A warning triangle with an exclamation mark is present.
- Bottom Step:** Shows a rectangular block being placed on a surface. A power drill is shown with a diagonal line through it, indicating it should not be used on this part. A warning triangle with an exclamation mark is present.
- Time:** A clock icon with the text "40'" below it, indicating an estimated assembly time of 40 minutes.
- Personnel:** A person icon with the number "2" below it, indicating that two people are required for assembly.



1



2

